

avenlur

Adrian by Avenlur



Need Help?

CALL US AT 888.697.3931 / M-F 9AM - 5PM PT (12PM - -8PM ET)

OR EMAIL US AT INFO@AVENLUR.COM

WARNING

Adult assembly required.


WARNING

Maximum user weight: 110 lbs (50kg) per child.

WARNING

CHOKING HAZARD:

Adult assembly required. Keep small assembly parts out of reach of children.

 Use under adult supervision.

**OBSERVE ALL STATEMENTS AND WARNINGS TO REDUCE THE LIKELIHOOD OF INJURY.
SAVE THIS SHEET FOR FUTURE REFERENCE.**

OPERATION INSTRUCTIONS

1. An adult should always supervise use of this product by children of all ages.
2. Maximum weight per user: 110lbs(50kg).
3. Never allow children to use the equipment in a manner other than intended.

MAINTENANCE INSTRUCTIONS

1. Inspect the product periodically for loose or damaged components. **Tighten bolts if need.**
2. Check all connections and bolts for tightness at least twice monthly during the usage.
3. Check all coverings and bolts for sharp edges.

INSTALLATION INSTRUCTIONS

Please have an electrical drill available for assembly if possible.

If you have difficulty in installation, please contact us for help and get installation video for reference.

Please Ensure:

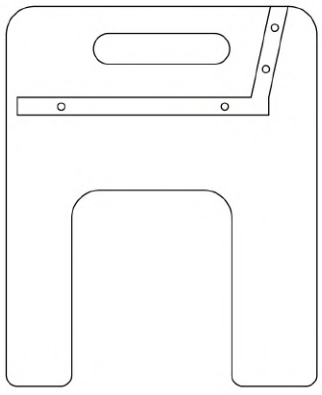
1. You are assembling with at least two people to ensure that all sides and parts are leveled.
2. You don't screw the parts in too hard or it will splinter the wood.
3. You follow the directions carefully.

CONTACT US BEFORE ASSEMBLY

If you have assembly questions or if you need parts
whether they are missing or damaged

Call us at 888-697-3931 or email us at

info@Avenlur.com



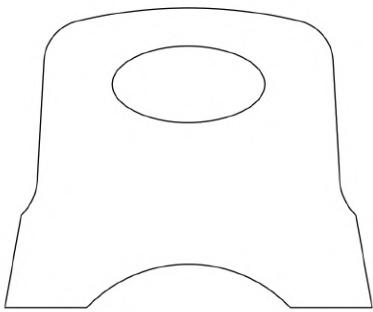
①x4 13.7in



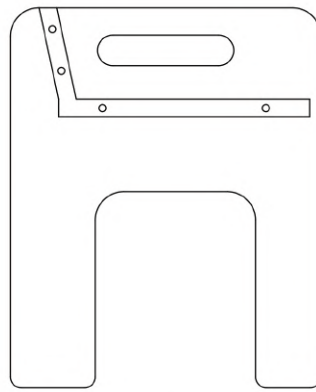
②x4 13.5in



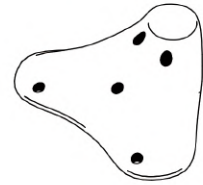
③x4



④x4 10.8in



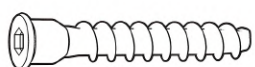
⑤x4 13.7in



⑥x4



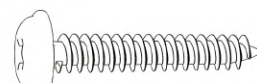
⑦x1 47.2in



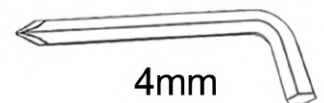
M6.3x40
A x32



M6x20
B x4

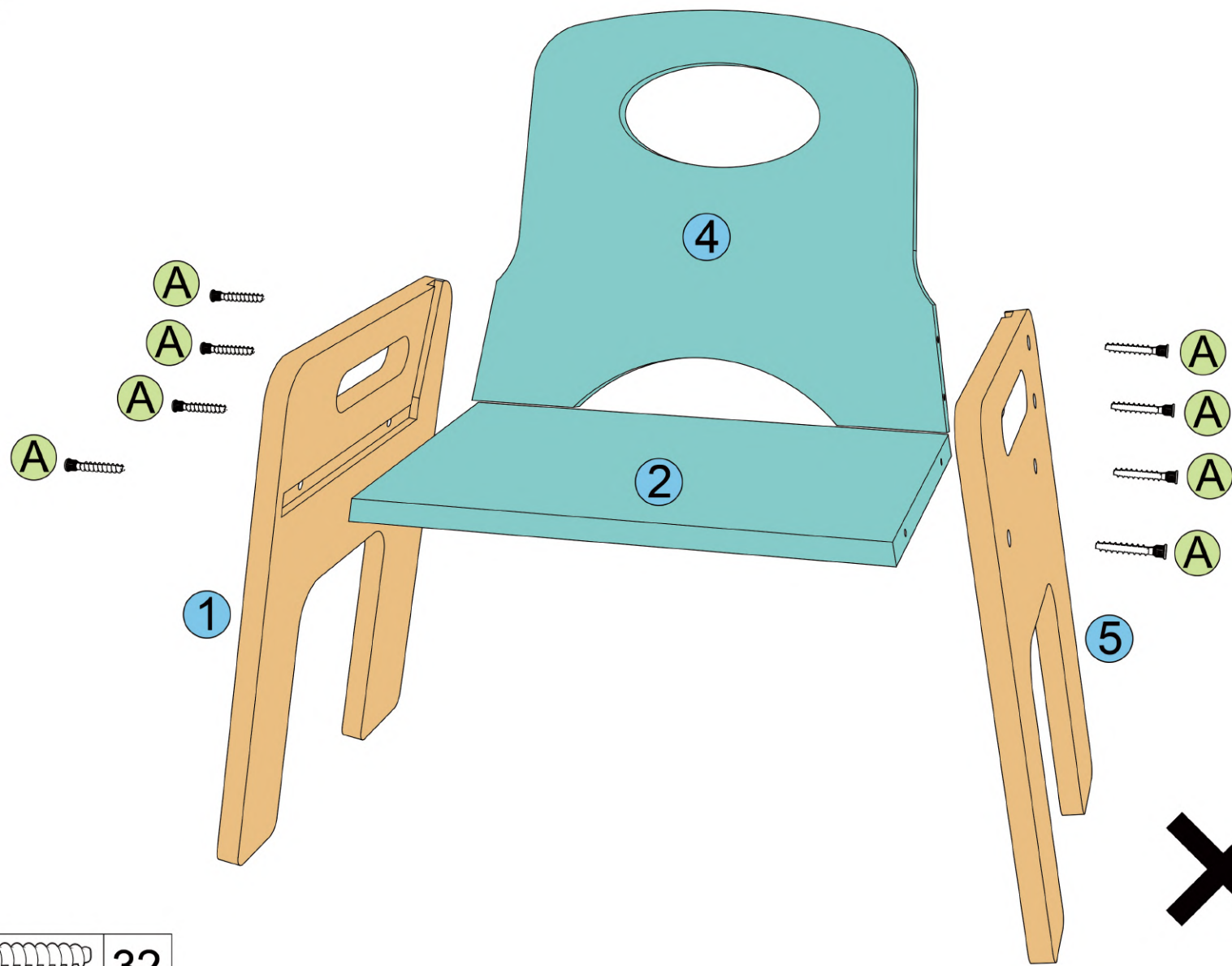




M4x25
C x20



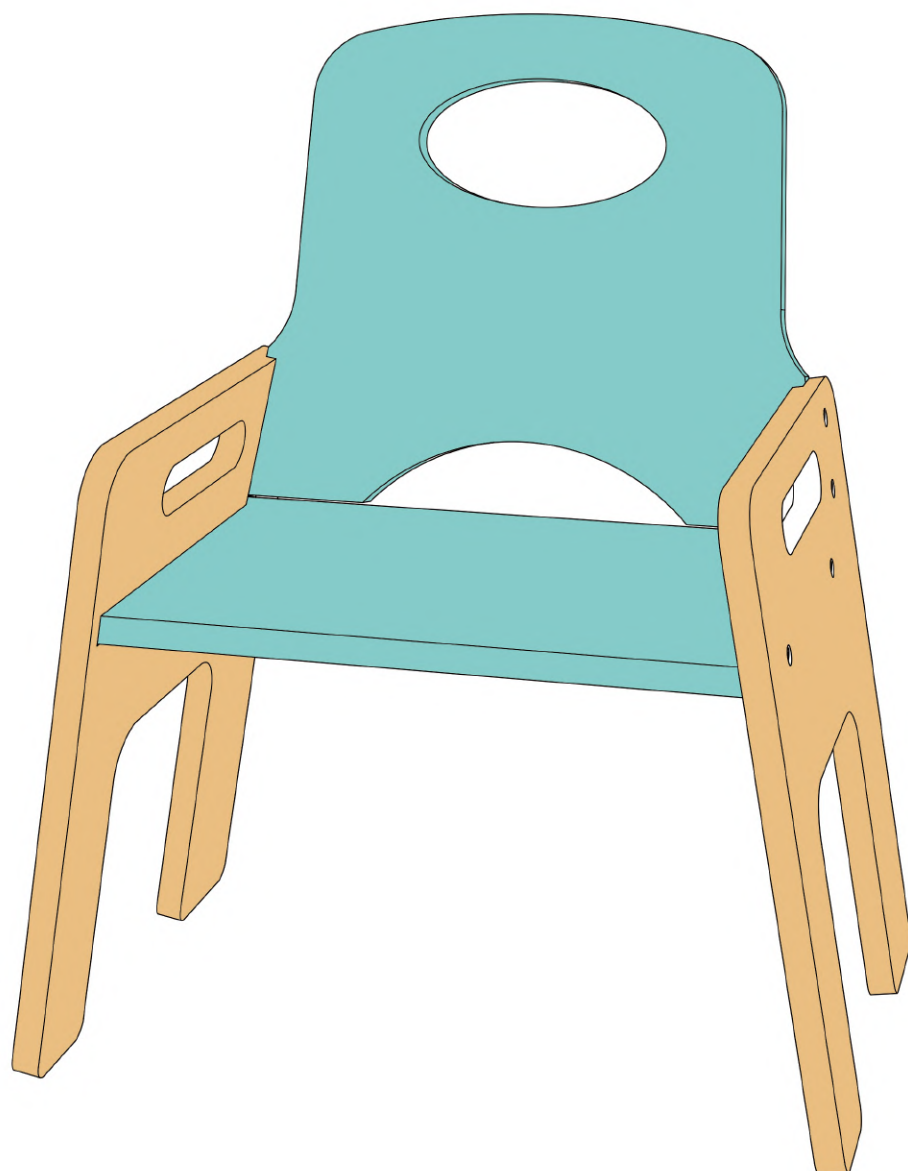
4mm
D x1

01-1



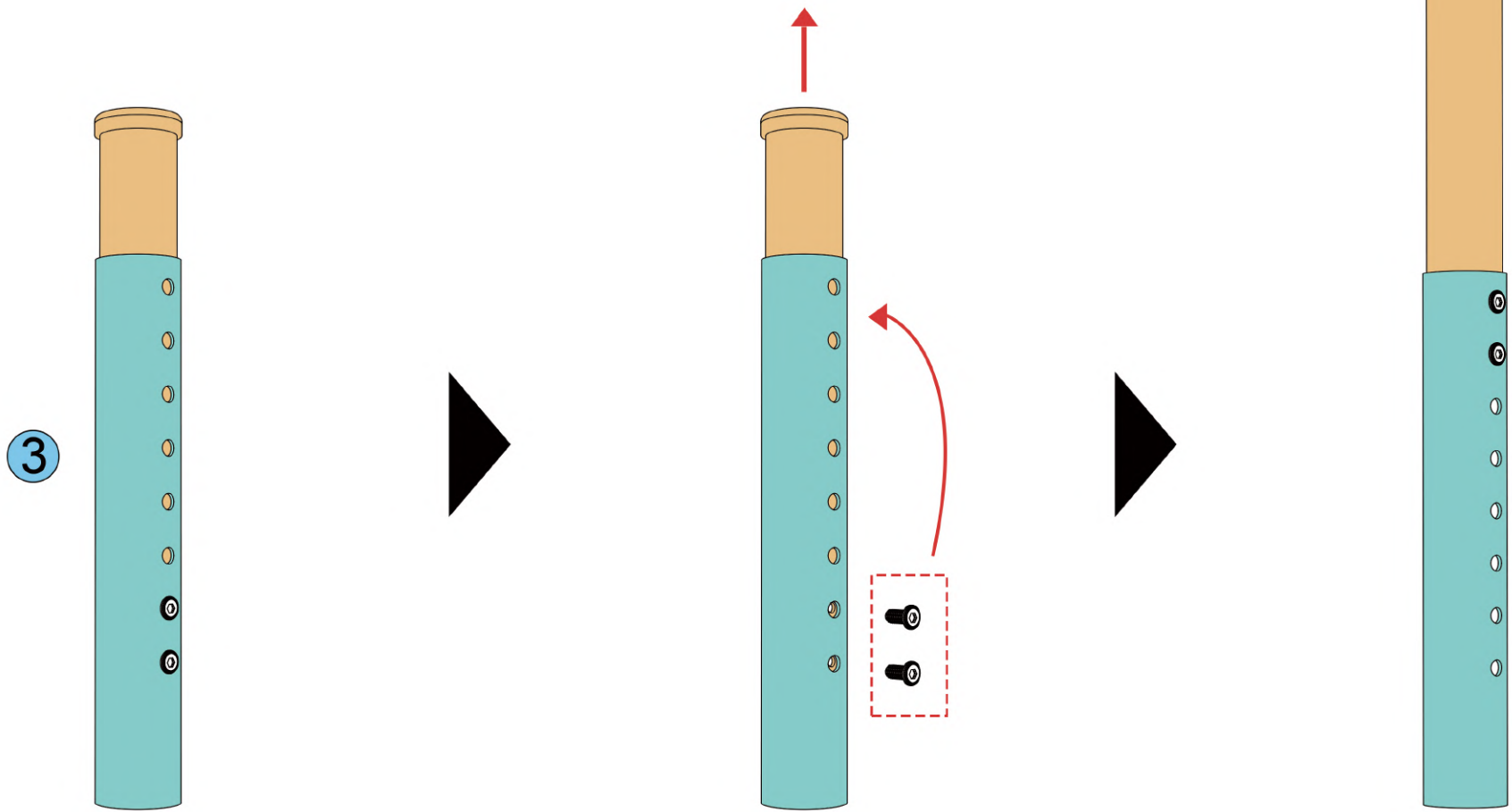
A	 M6.3x40	32
D	 4mm	1


01-2



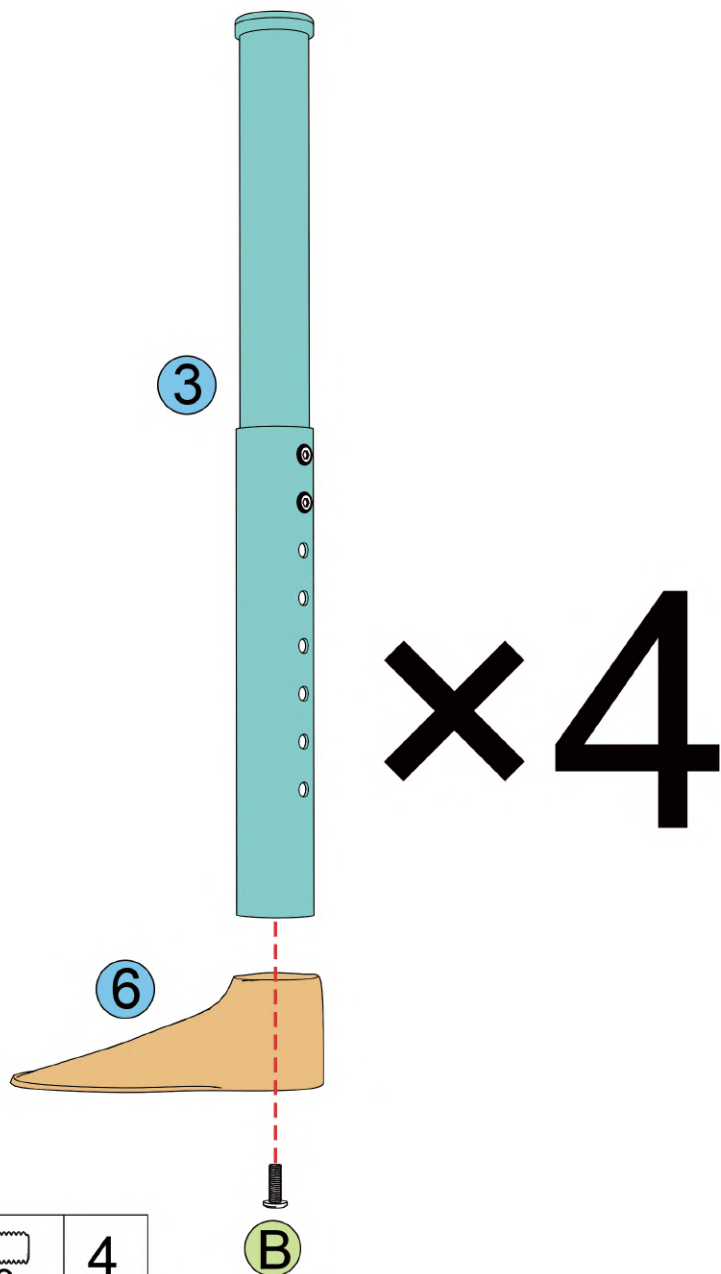
02-1


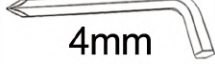
part ③ table legs can adjust the height according to actual usage.



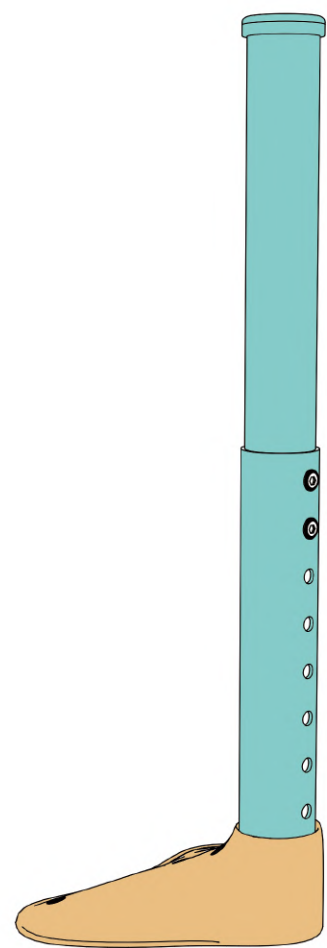
D		1
----------	---	---

03-1

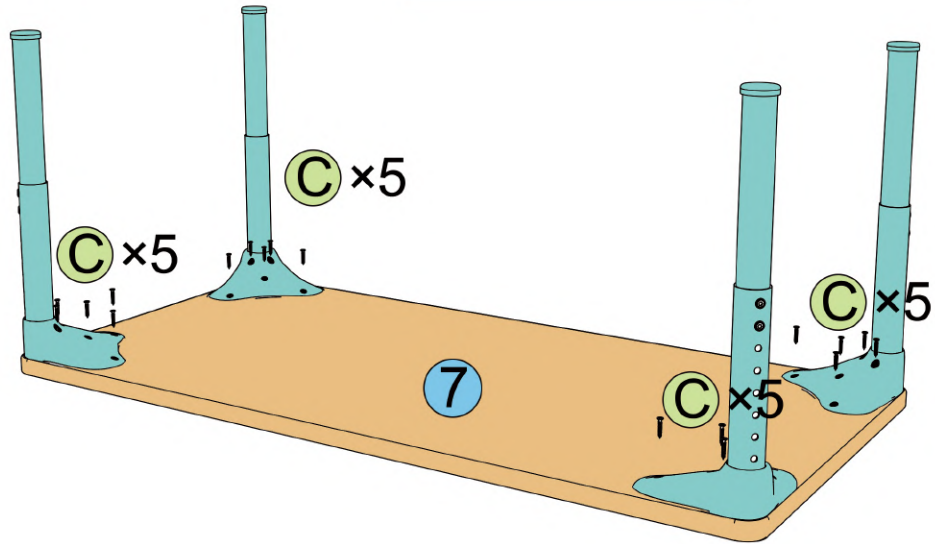
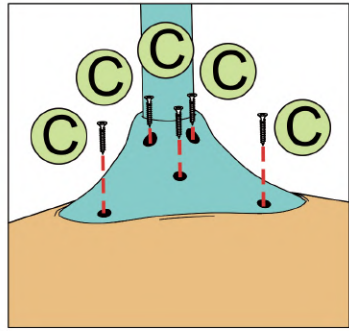


B		4
D		1

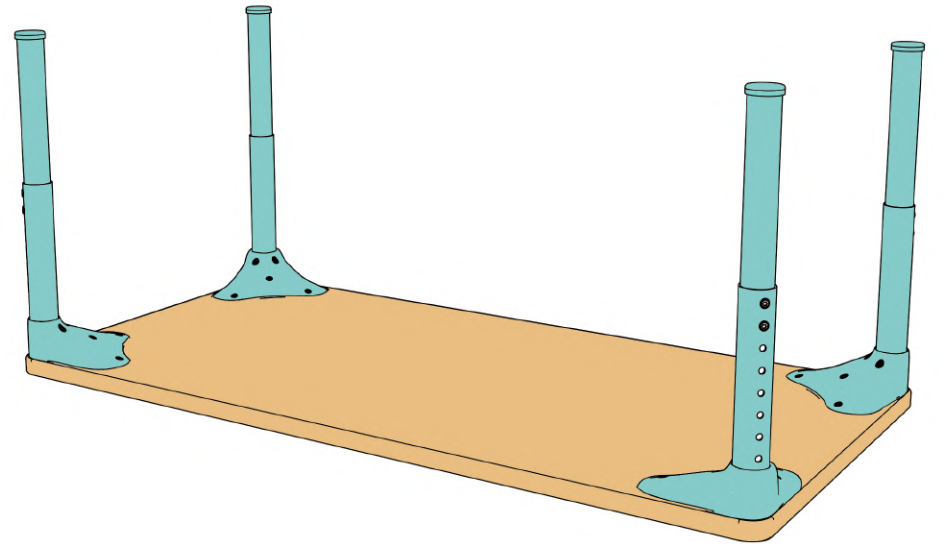
03-2





04-1



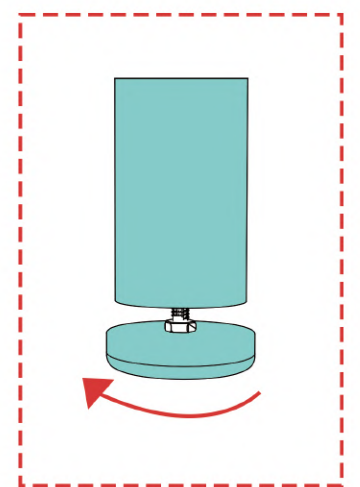
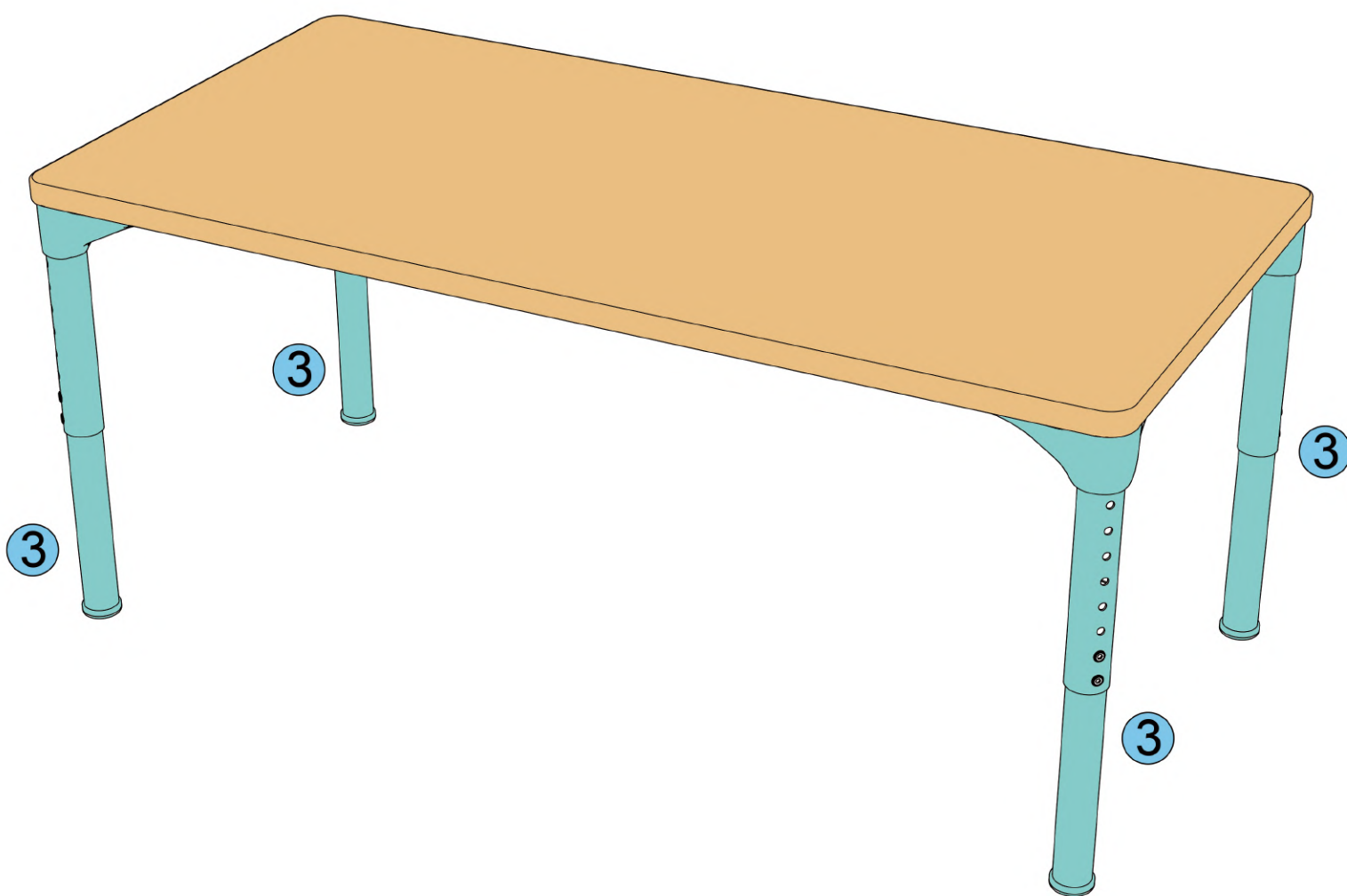
04-2

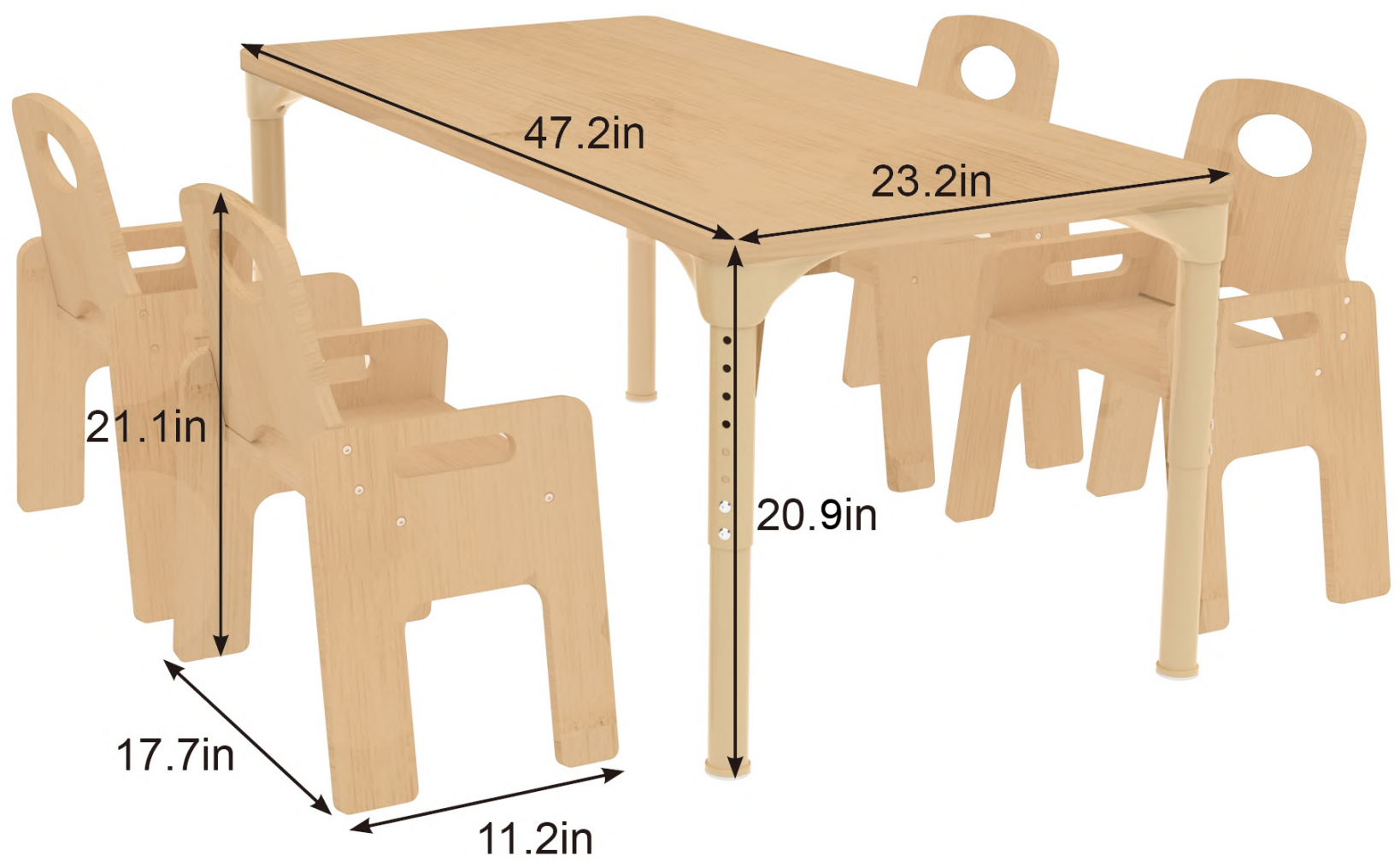


C	 M4x25	20
D	 4mm	1

05-1

If the table shakes, you can rotate the bottom of support part ③ to adjust the height to keep the table flat.





For questions with assembly or replacement parts, please email us at: info@avenlur.com or call us at: [888-697-3931](tel:888-697-3931)