

# avenlur

## Alpine by Avenlur



### Need Help?

CALL US AT 888.697.3931 / M-F 9AM - 5PM PT (12PM - -8PM ET)

OR EMAIL US AT [INFO@AVENLUR.COM](mailto:INFO@AVENLUR.COM)

**⚠ WARNING**

Adult assembly required. Only for domestic use.

**⚠ WARNING**

Maximum user weight: 110 lbs (50kg) per child

**⚠ WARNING**

**⚠ CHOKING HAZARD:**

Adult assembly required. Keep small assembly parts out of reach of children.

**⚠ Use under adult supervision**

**OBSERVE ALL STATEMENTS AND WARNINGS TO REDUCE THE LIKELIHOOD OF SERIOUS OR FATAL INJURY. SAVE THIS SHEET FOR FUTURE REFERENCE.**

**OPERATION INSTRUCTIONS**

1. An adult should always supervise use of this product by children of all ages.
2. Limit: 2 children. Maximum weight per user: 110lbs (50kg).
3. Instruct children not to attach items to the playground equipment that are not specifically designed for use with the equipment (examples: ropes, clothesline, pet leashes, cables and chain, etc) as they may cause a strangulation hazard or any other hazard.
4. Never allow children to use the equipment in a manner other than intended.

**MAINTENANCE INSTRUCTIONS**

At the beginning of each season as well as at least twice monthly during the usage season:

1. To check all nuts and bolts for tightness and tighten when required;
2. To oil all metallic moving parts;
3. To check all coverings for bolts and sharp edges and replace when required;
4. To check swing seats, chains, ropes and other means of attachments for evidence of deterioration;
5. To replace defective parts in accordance with the manufacturer's instructions

**INSTALLATION INSTRUCTIONS**

Please have an electrical drill available for assembly if possible

If you have difficulty in installation, please contact us for help and get installation video for reference

**Please Ensure:**

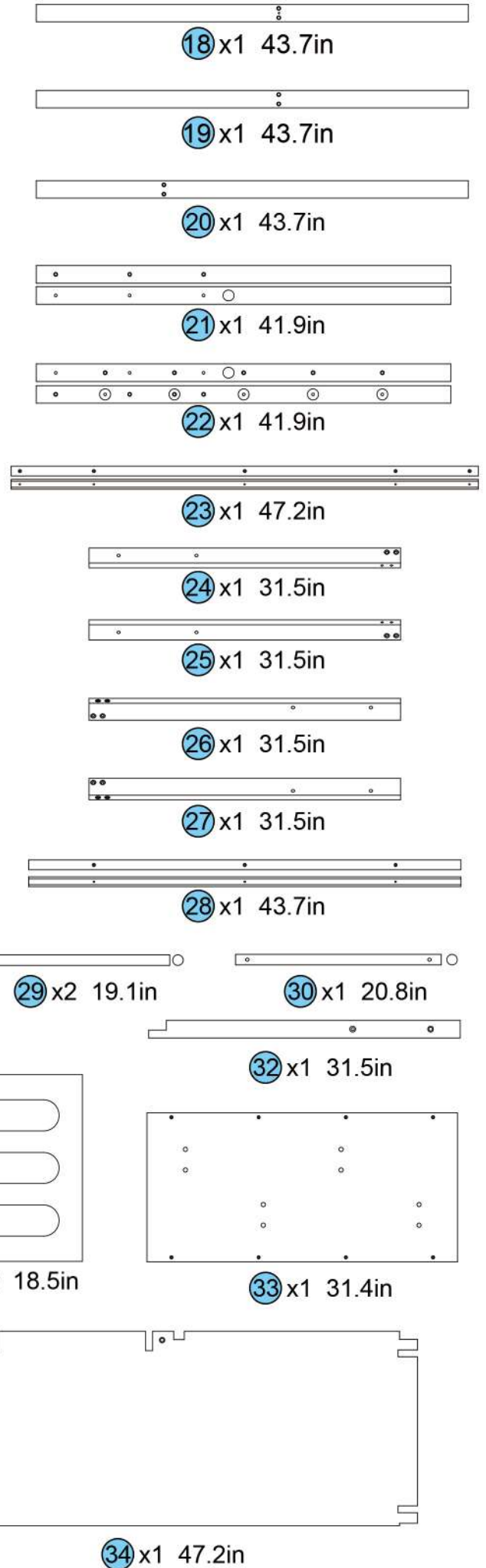
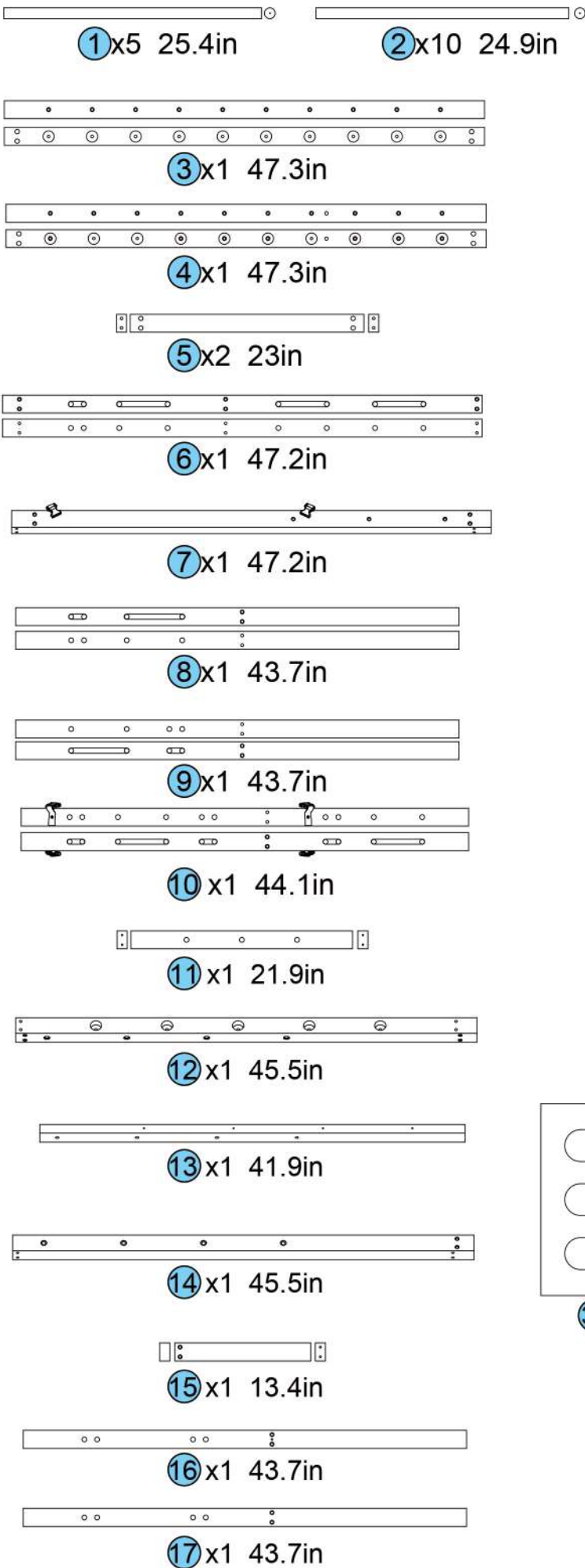
1. You are assembling with at least two people to ensure that all sides and parts are leveled.
2. You don't screw the parts in too hard or it will splinter the wood.
3. You follow the directions carefully.

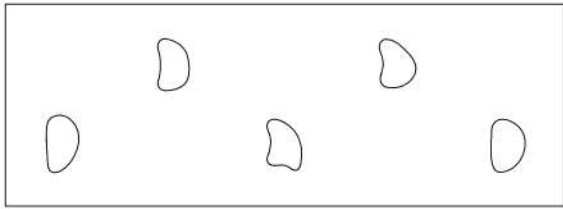
**CONTACT US BEFORE ASSEMBLY**

If you have assembly questions or if you need parts  
whether they are missing or damaged

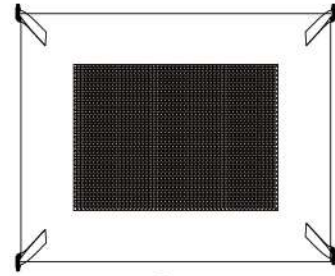
Call us at 888-697-3931 or email us at

[info@Avenlur.com](mailto:info@Avenlur.com)

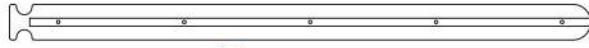




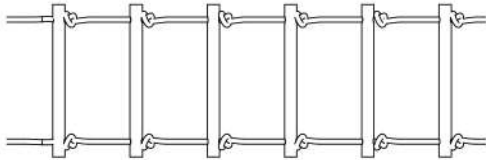
35 x1 43.3in



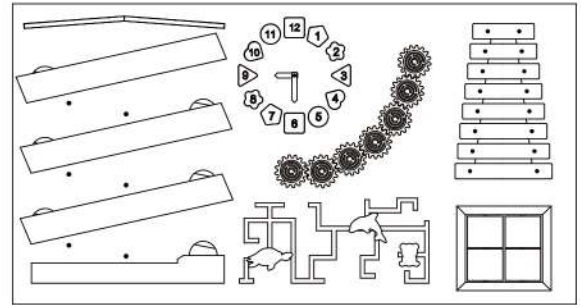
39 x1



36 x2 45.1in



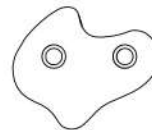
37 x1



40 x1 43.7in



38 x1



41 x4



102.4in

42 x1



129.9in

43 x1



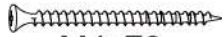
212.6in

44 x1



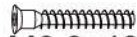
M4x40

A x8



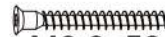
M4x70

B x7



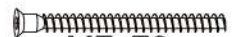
M6.3x40

C x35



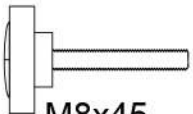
M6.3x50

D x29



M7x70

E x42



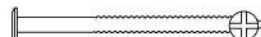
M8x45

F x10



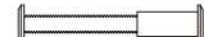
M6x60 M6x13

G x8



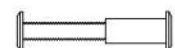
M6x80 M6x13

H x8



M6x40 M6x20

I x1



M6x30 M6x20

J x2



4mm

K x2



M10x35

L x8



M10x17x20

M x8



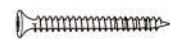
8mm

N x1



17mm

O x1

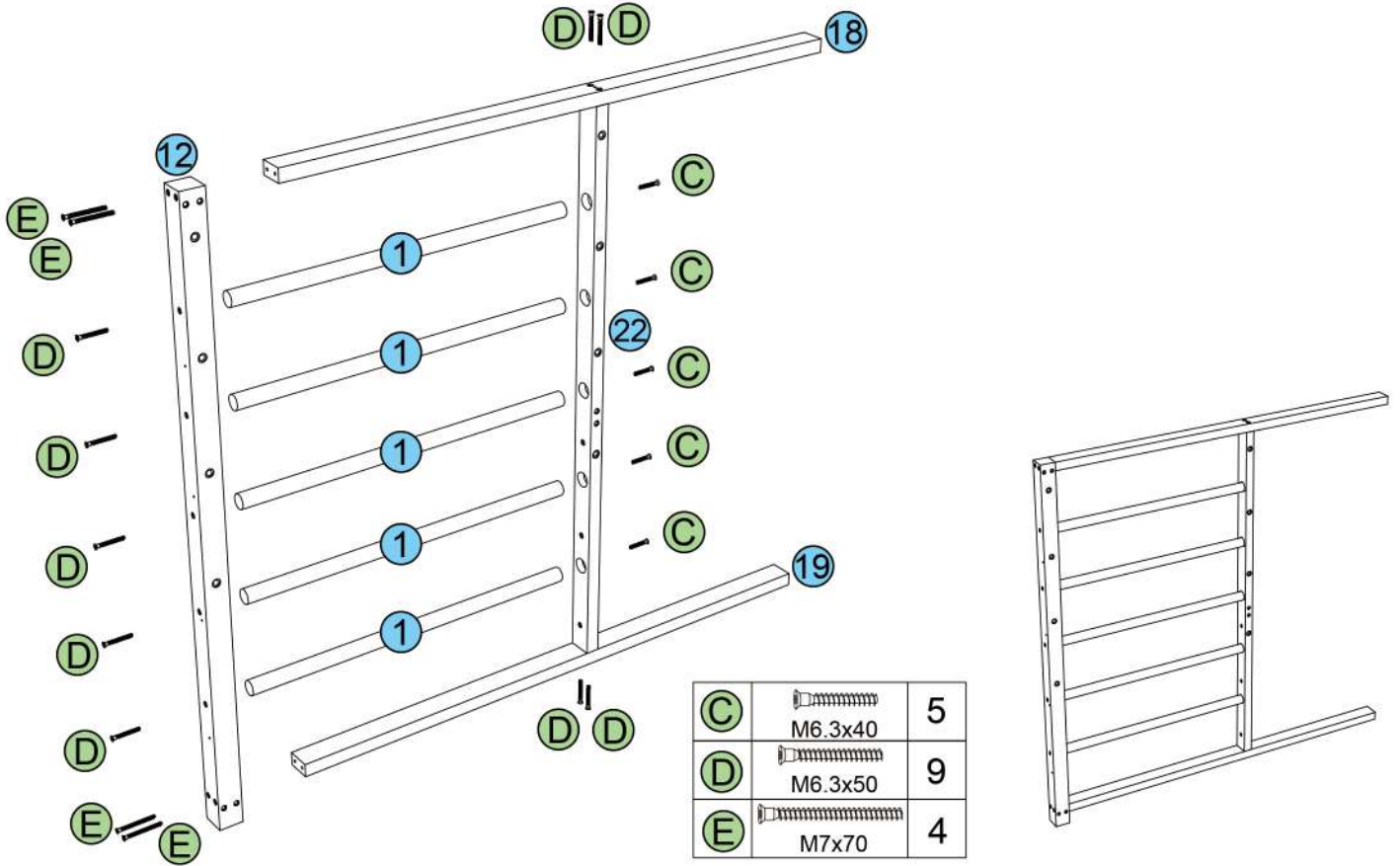


M4x60

P x1

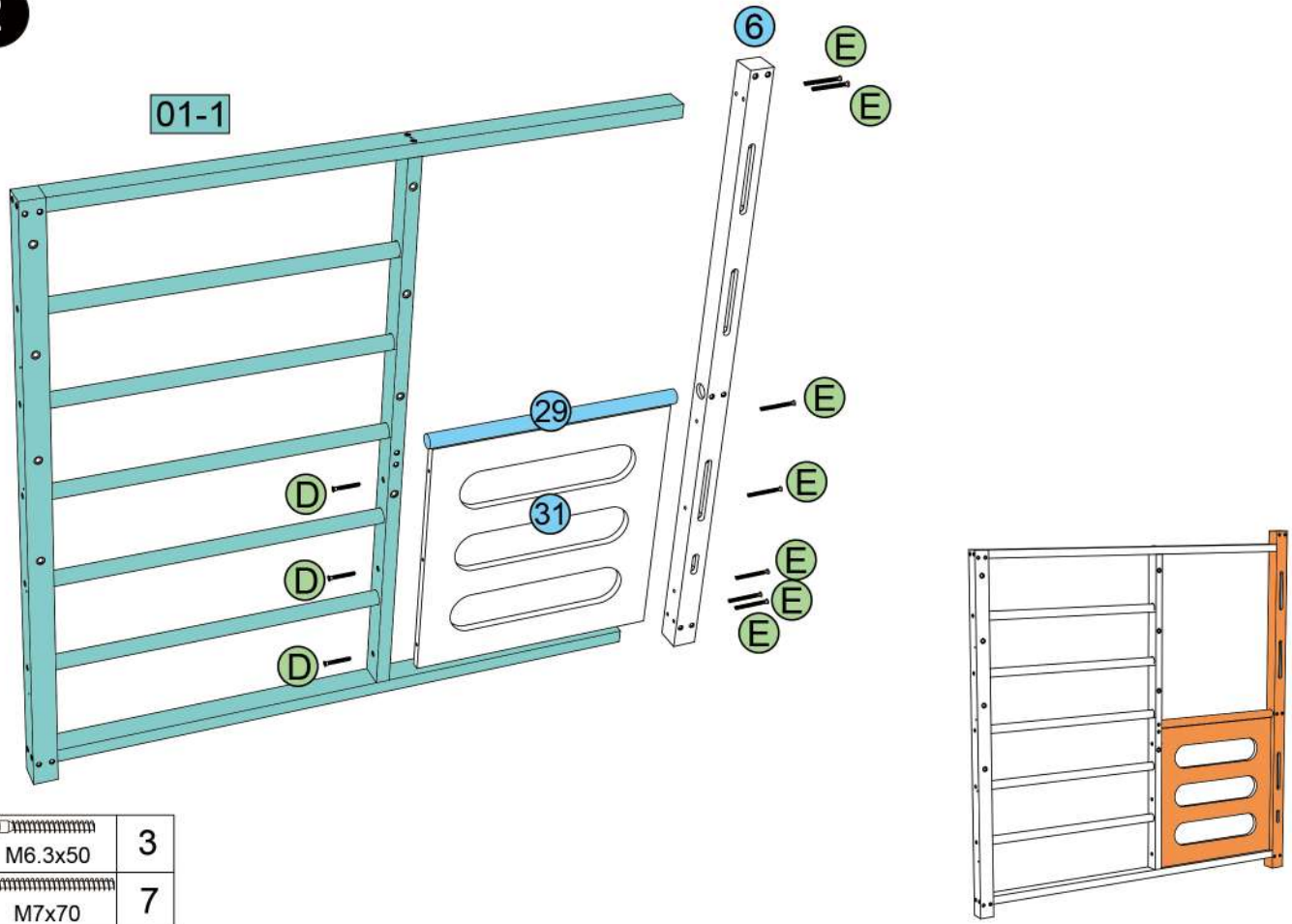
# 01-1

Note: Pay attention to all the black bubbled section markers. The manual may refer back to those later  
 Pro Tip: Using your fingers, screw in all screws a little to hold everything in place before using an electric screw driver. Then using a manual screw driver, tighten each one.

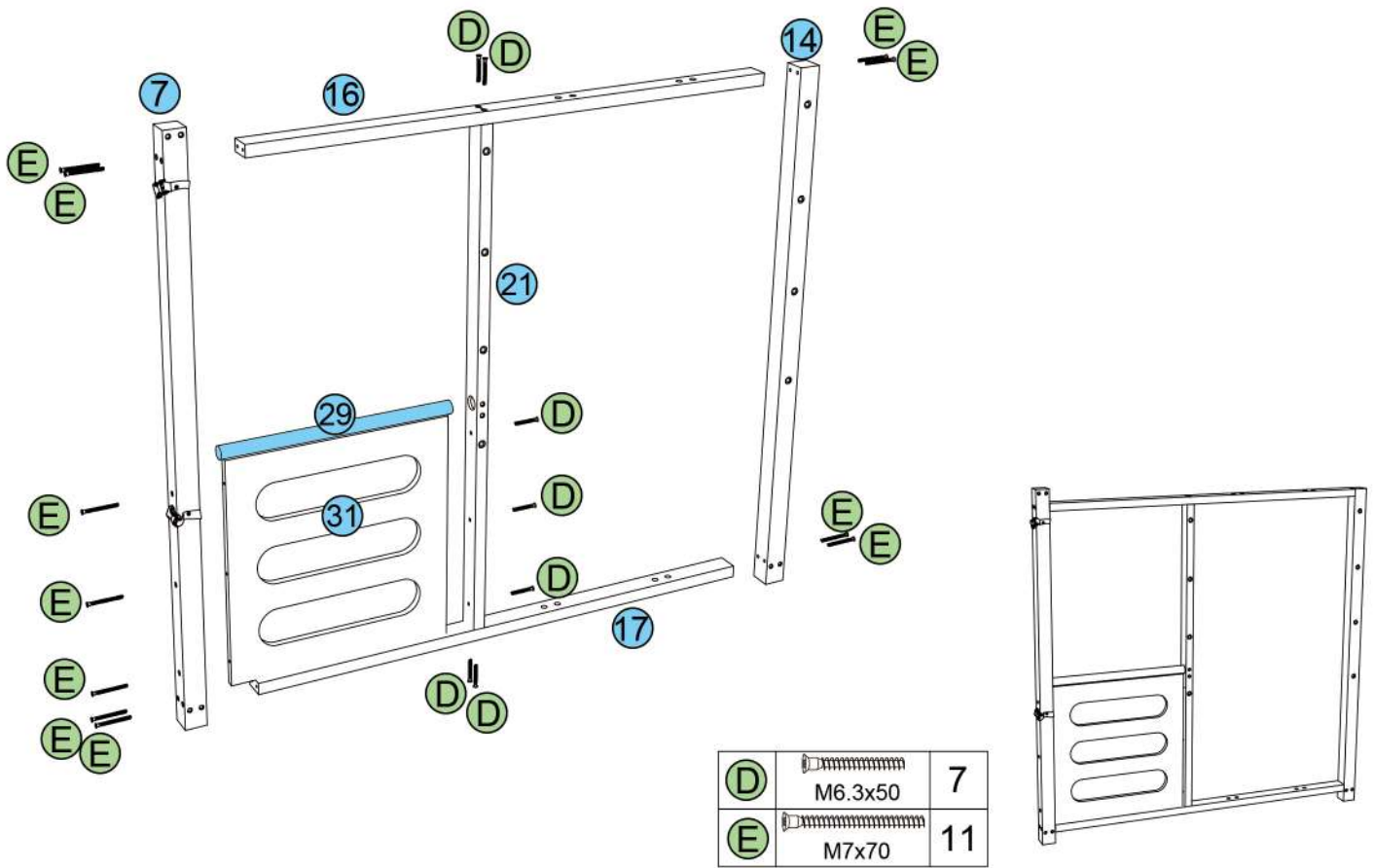


# 01-2

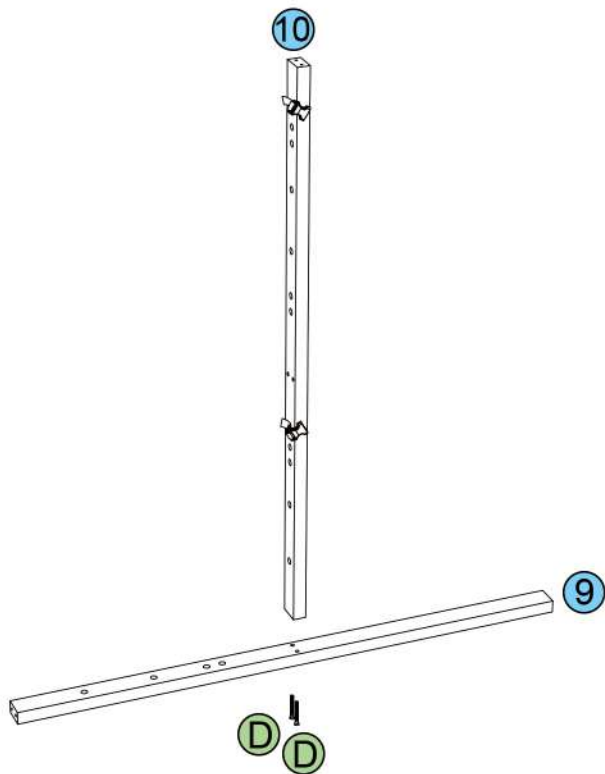
01-1

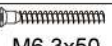


# 02-1

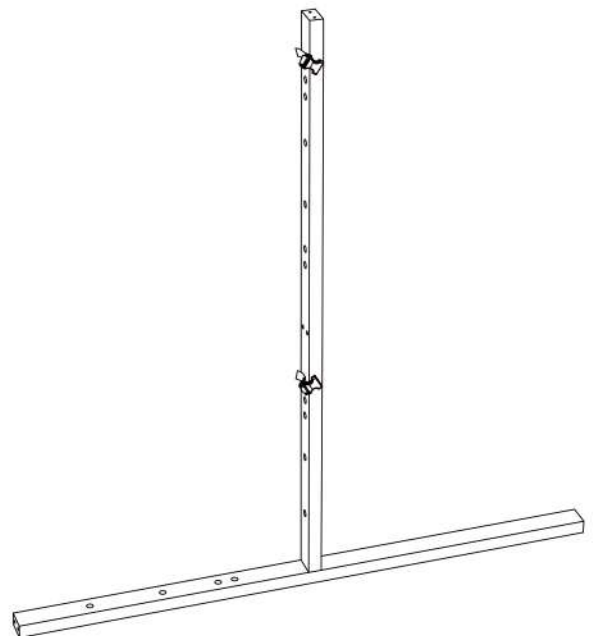


# 03-1

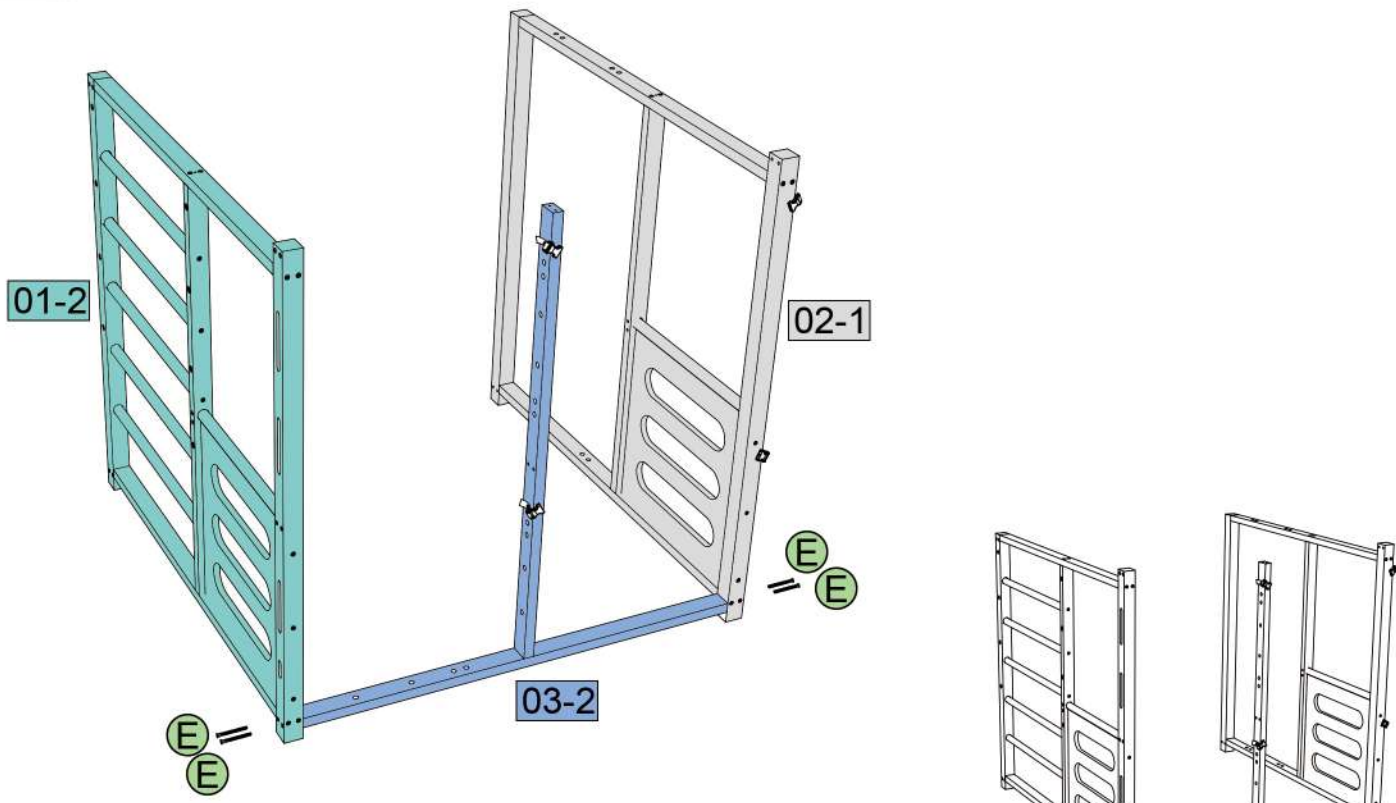


(D)	 M6.3x50	2
-----	---	---

# 03-2

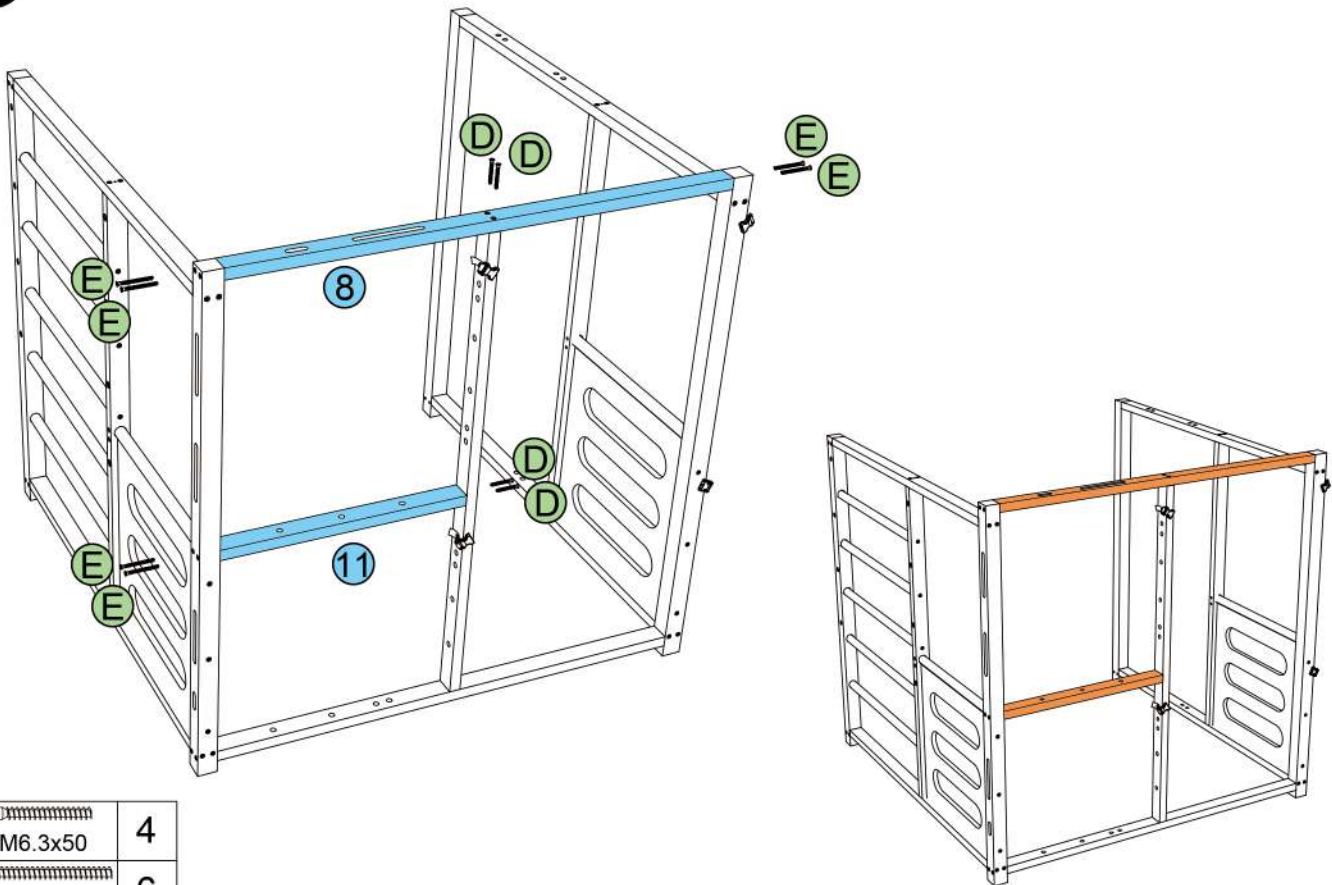


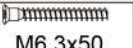
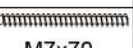
# 04-1



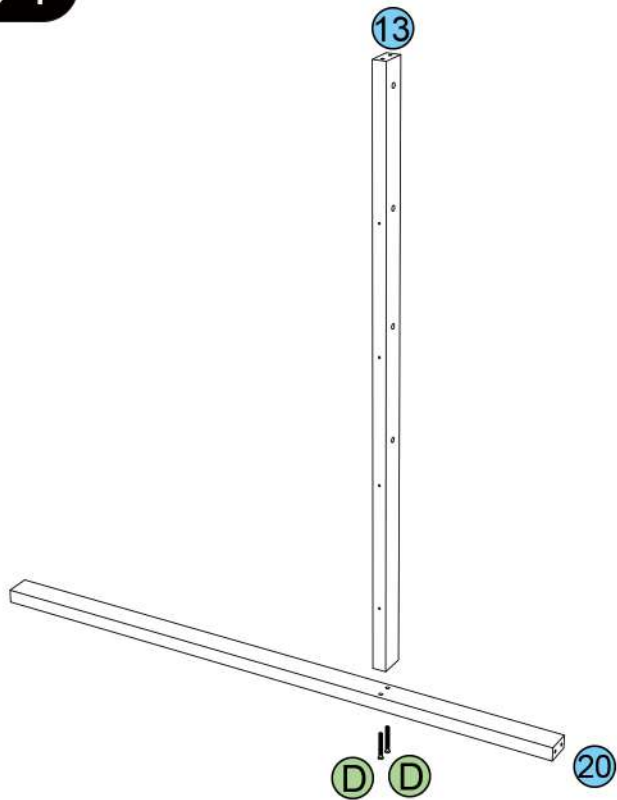
<b>E</b>		4
	M7x70	


# 05-1



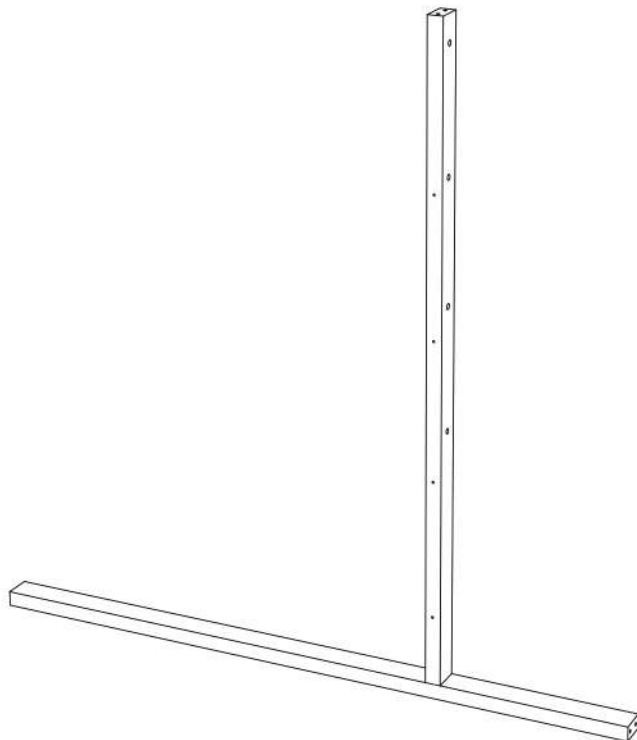
<b>D</b>		4
	M6.3x50	
<b>E</b>		6
	M7x70	

06-1

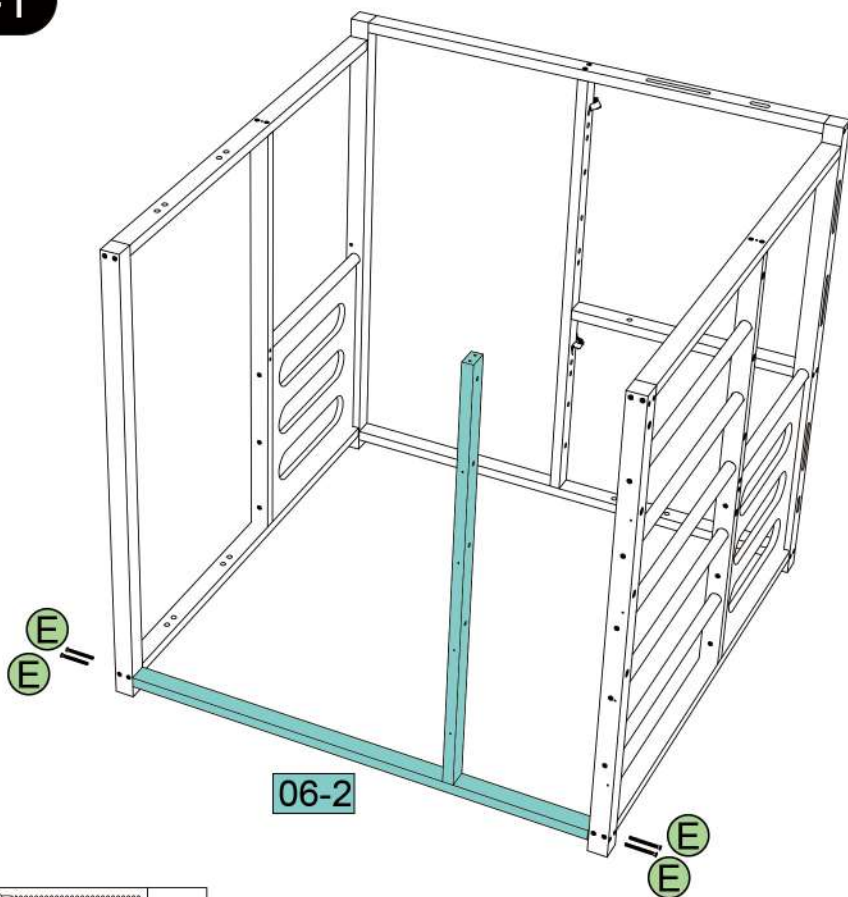


<b>D</b>		2
	M6.3x50	

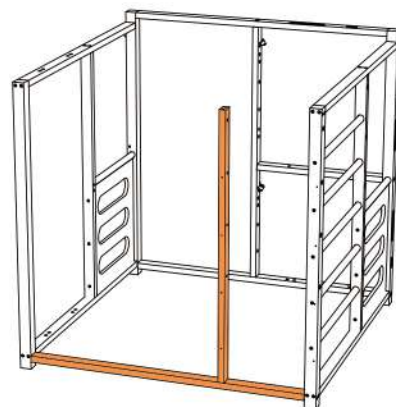
06-2



07-1

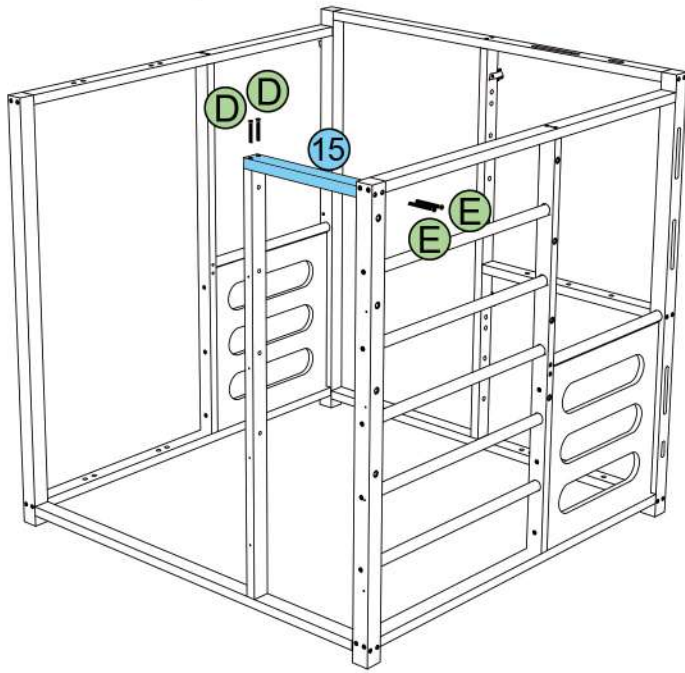


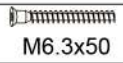

<b>E</b>		4
	M7x70	





# 08-1

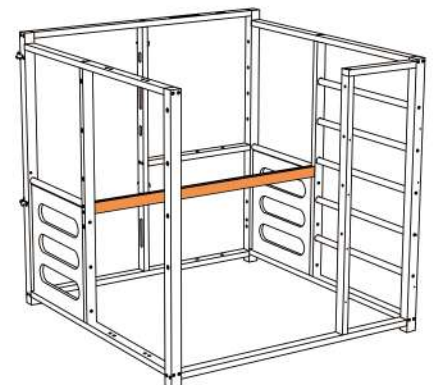
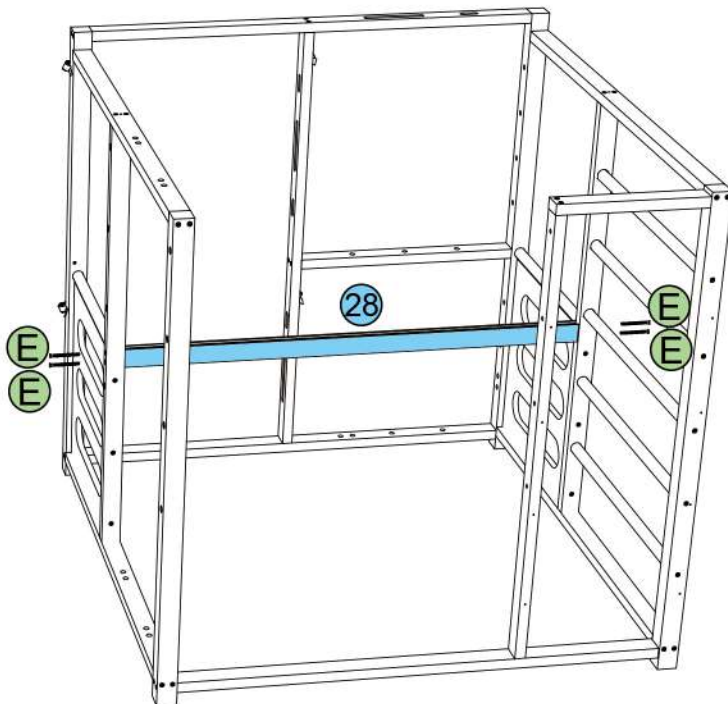


<b>D</b>	 M6.3x50	2
<b>E</b>	 M7x70	2

# 09-1

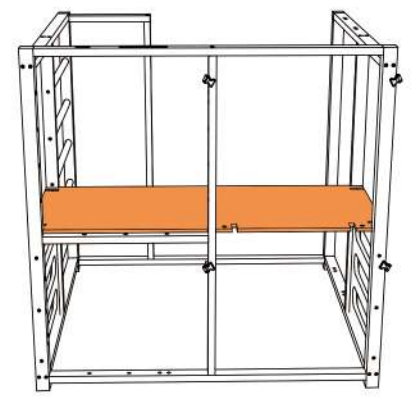
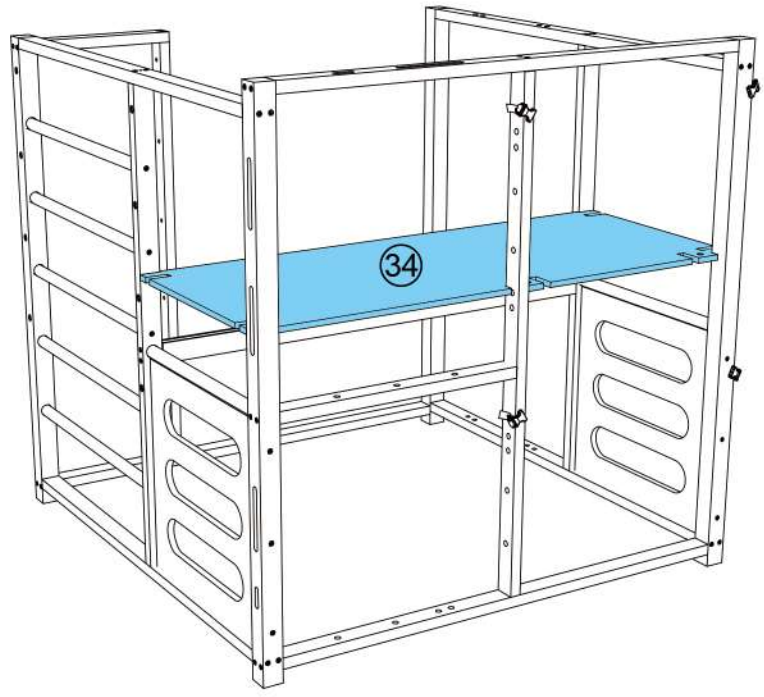


The slot of part **28** face upward

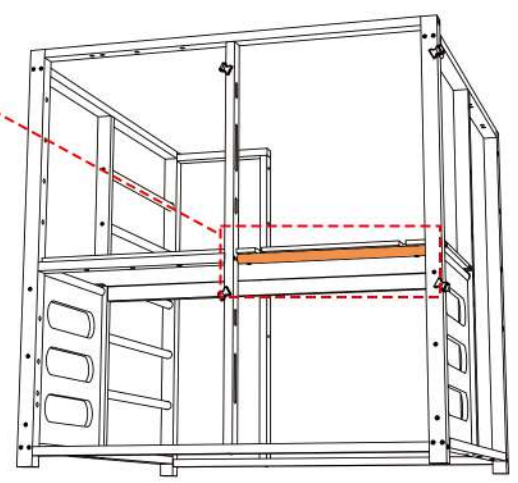
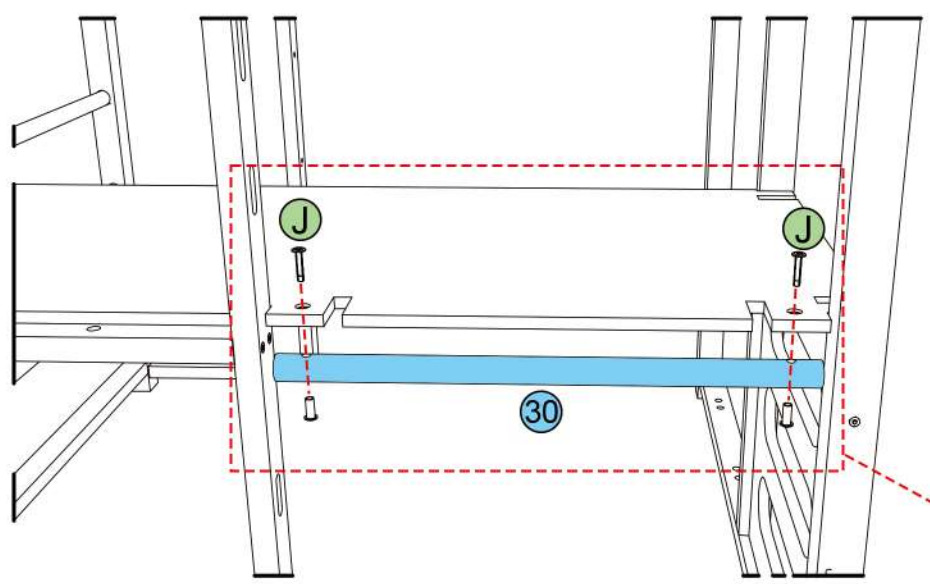


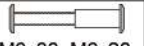

<b>E</b>	 M7x70	4
----------	---	---

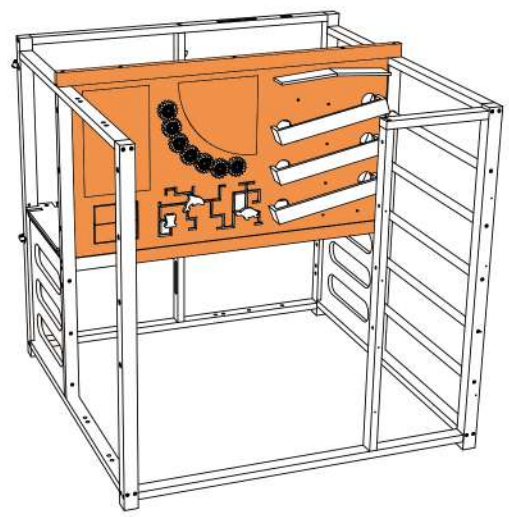
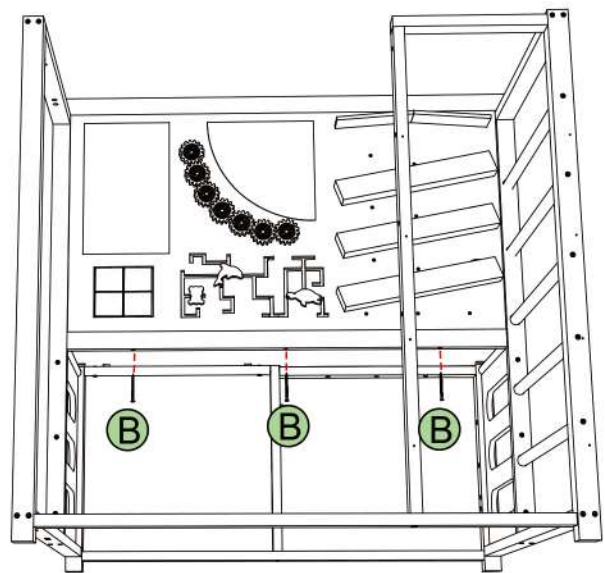
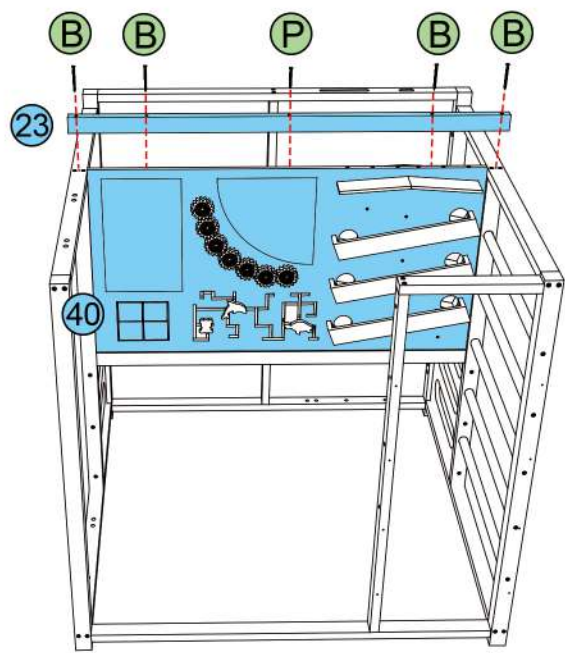
10-1

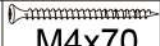
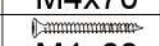


11-1



<b>J</b>		2
	M6x30 M6x20	
<b>K</b>		2
	4mm	



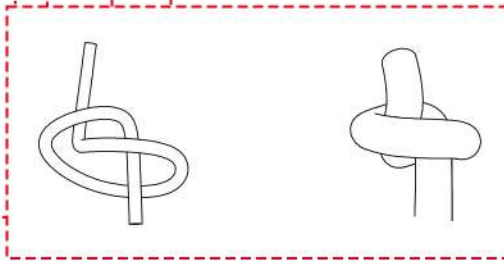
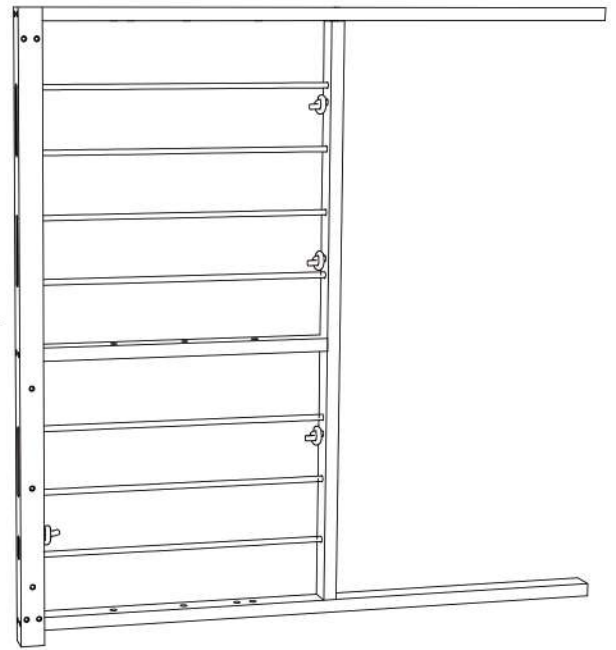
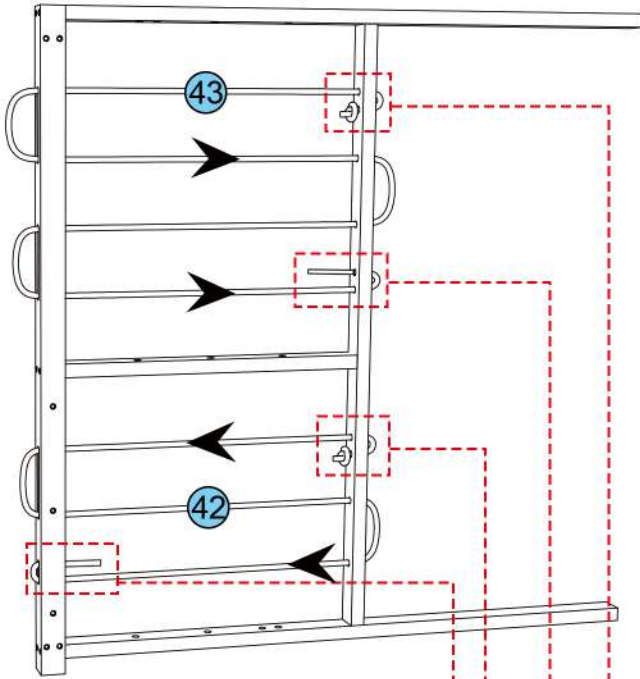
<b>B</b>	 M4x70	7
<b>P</b>	 M4x60	1

Note: The vertical rope will wrap once around each horizontal rope on each pass.

The vertical rope goes through the holes of the middle horizontal bar

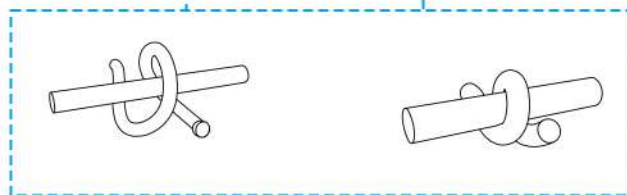
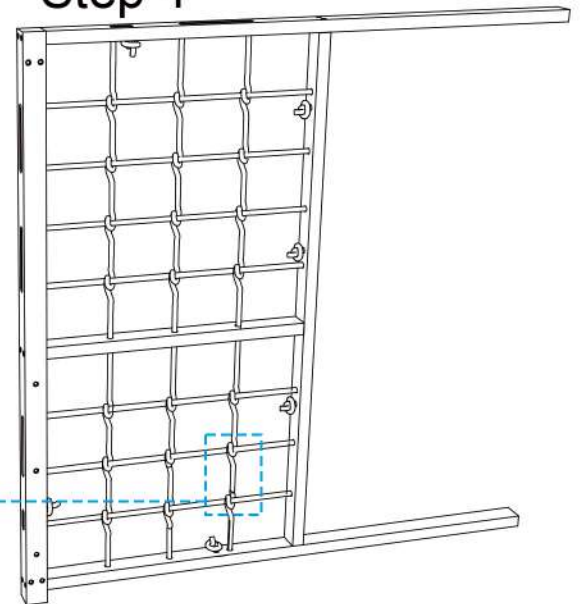
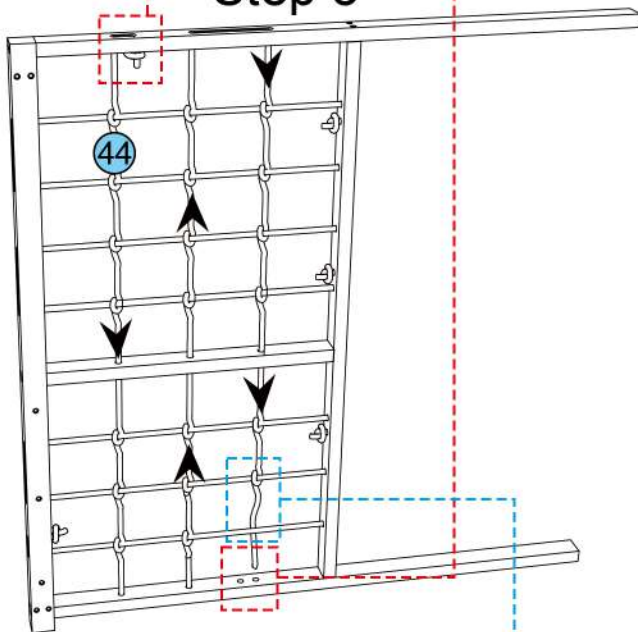
Step 1

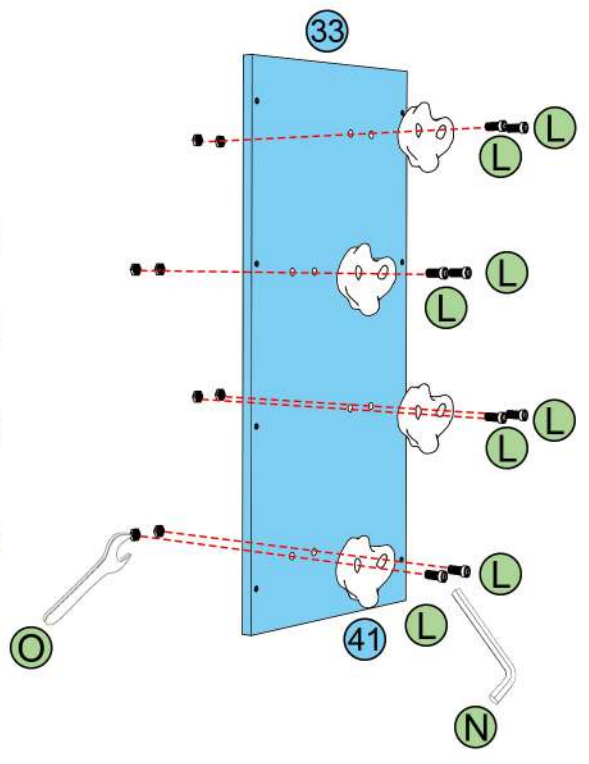
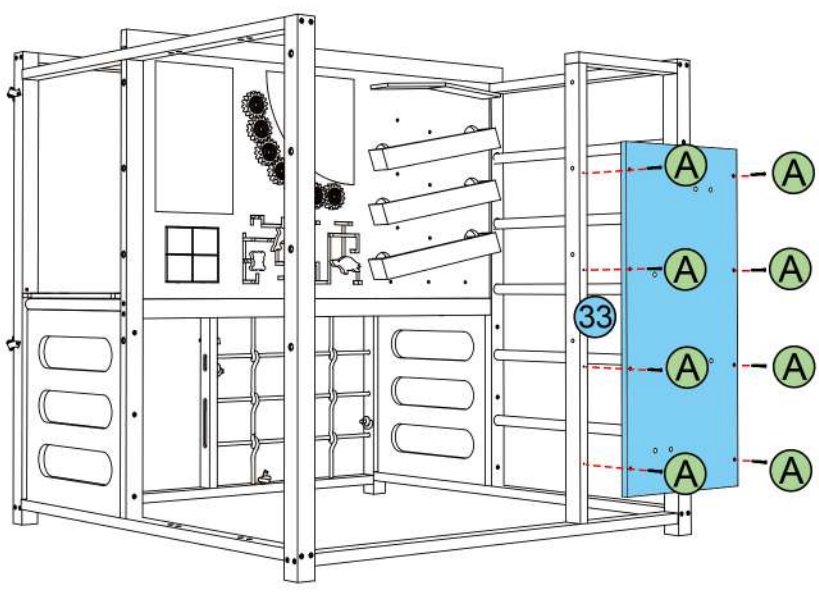
Step 2



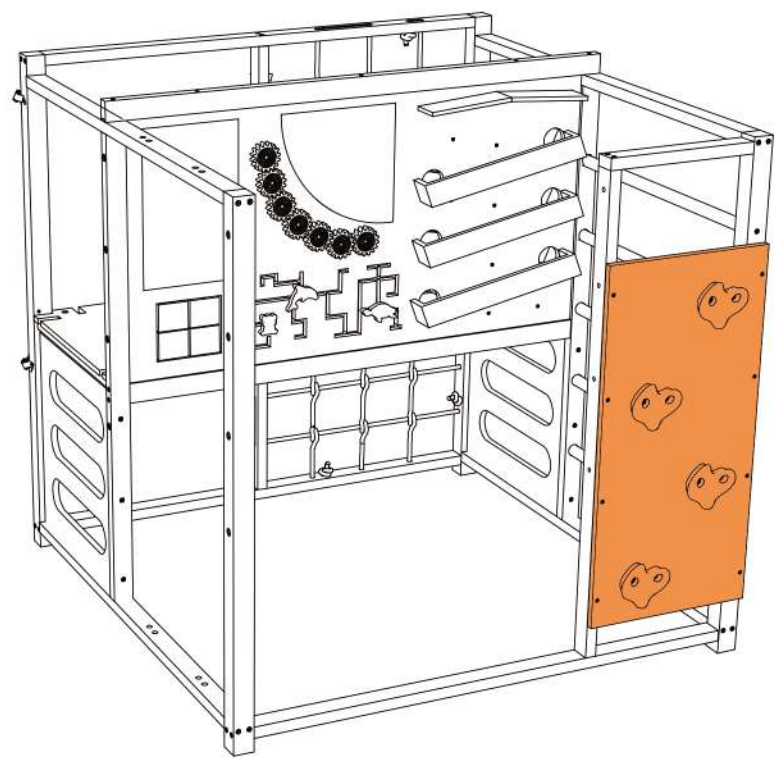
Step 3

Step 4

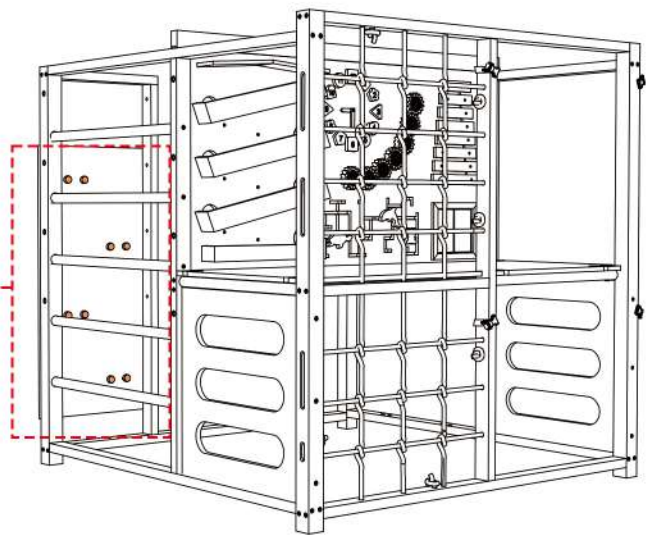
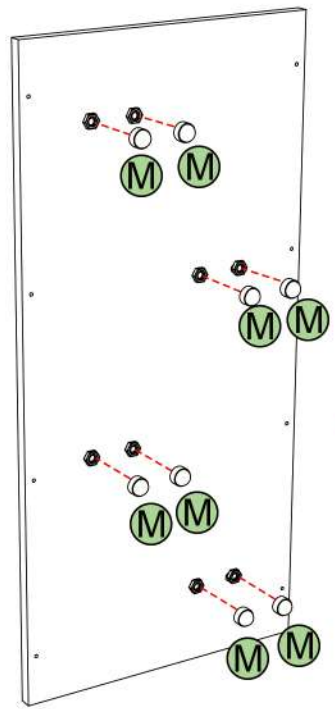






(A)	M4x40	8
(L)	M10x35	8
(N)	8mm	1
(O)	17mm	1

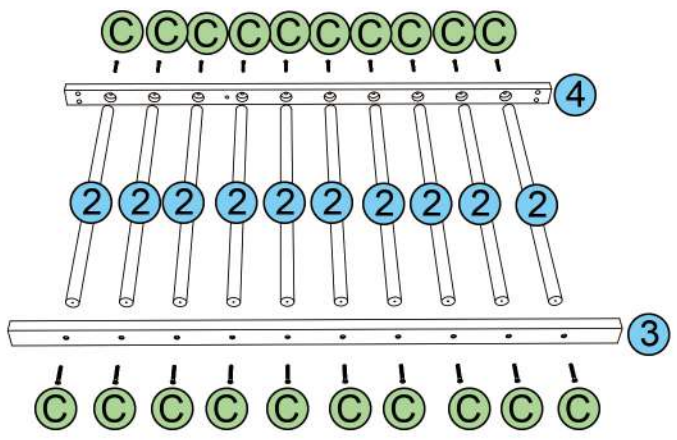


# 15-1



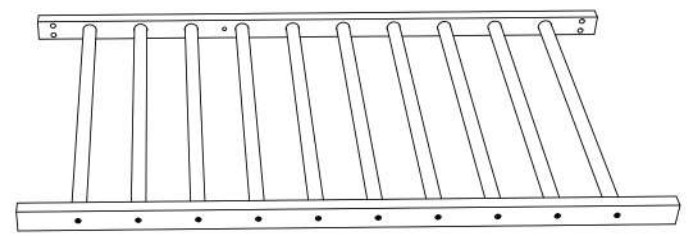
	 M10x17x20	8
---	--	---

# 16-1



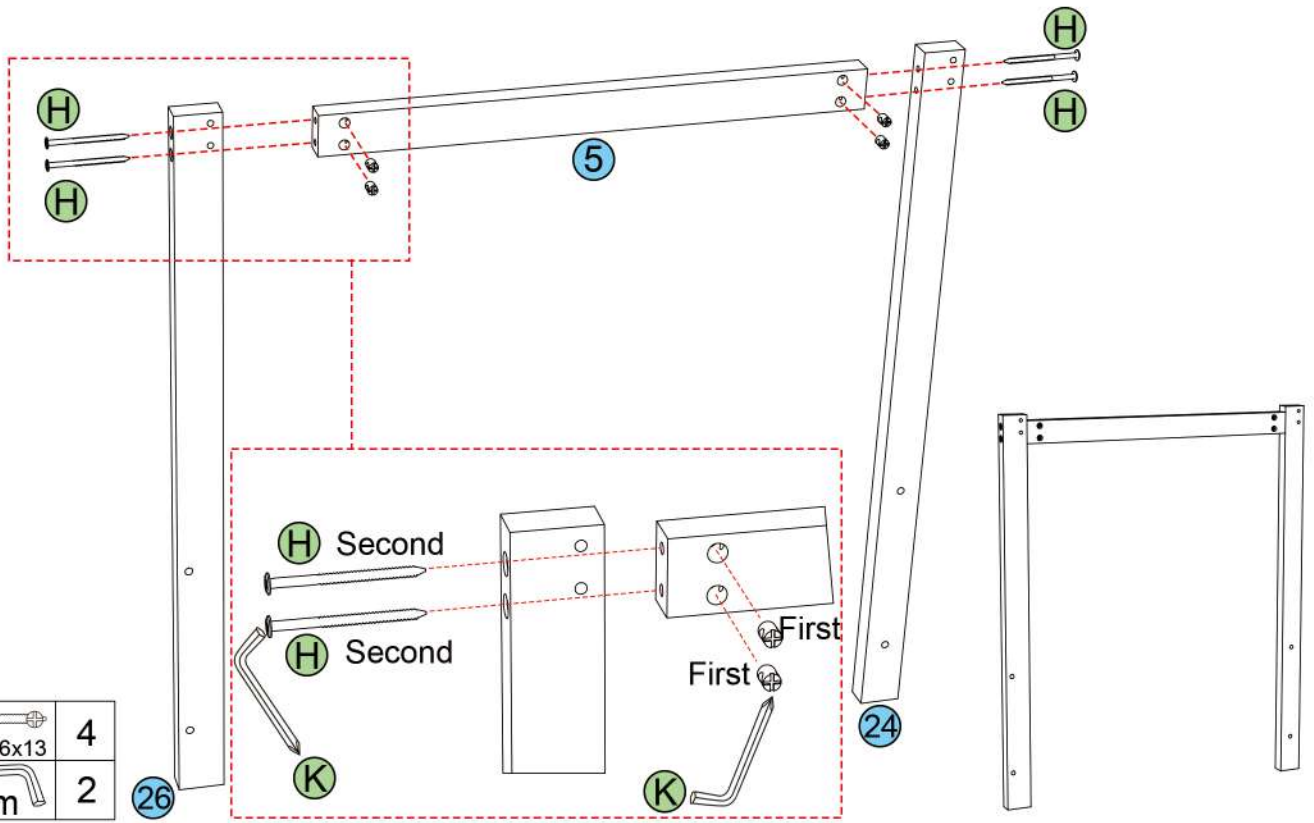
	 M6.3x40	20
--	---	----

# 16-2



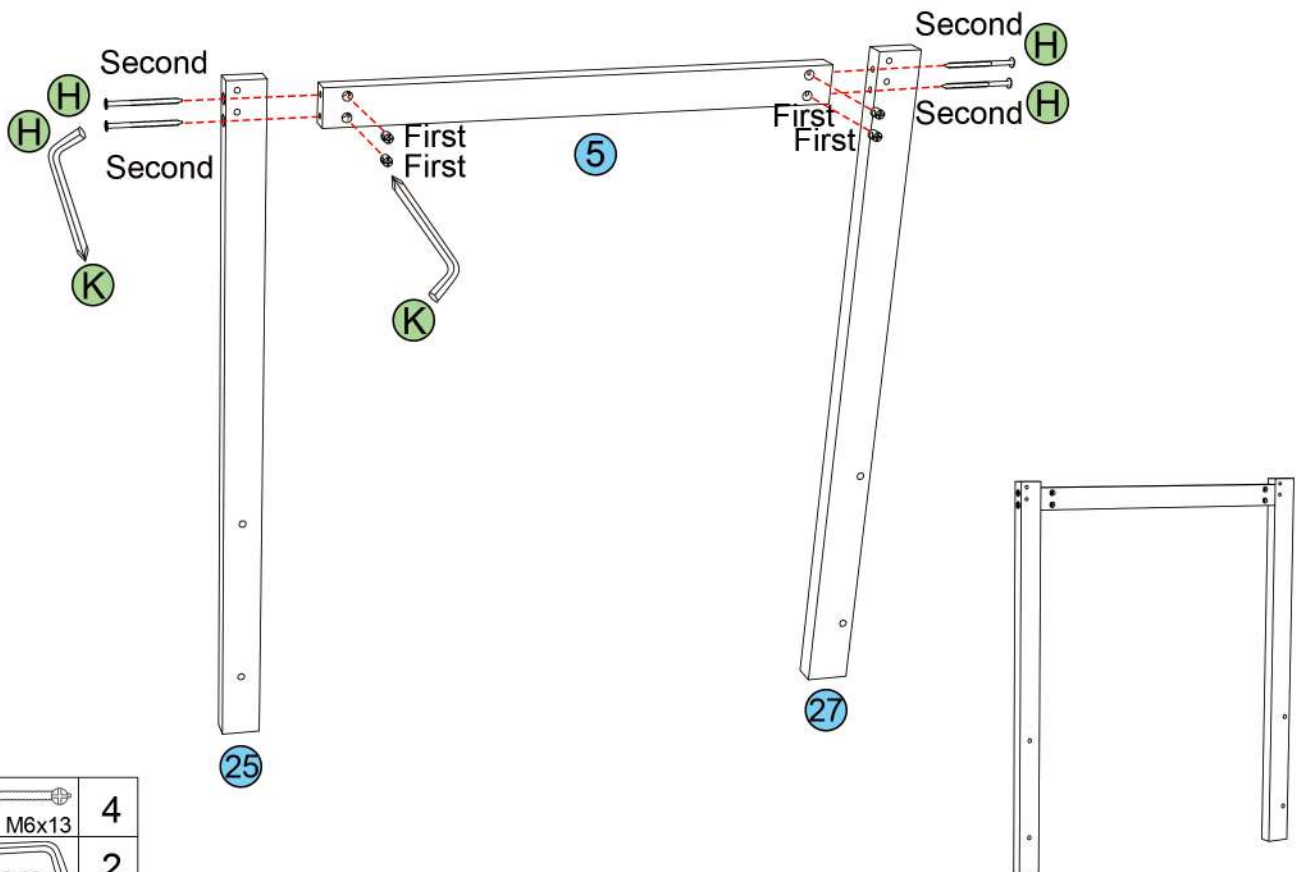
# 17-1

First: Put the connector in the hole with the crosshairs facing out. Use the Phillips screwdriver side of one tool part (K) to hold the connector stationary for the threading of the screw go in, Second: Use the hex side of the other tool part (K) to thread the screw into the hole of the connector

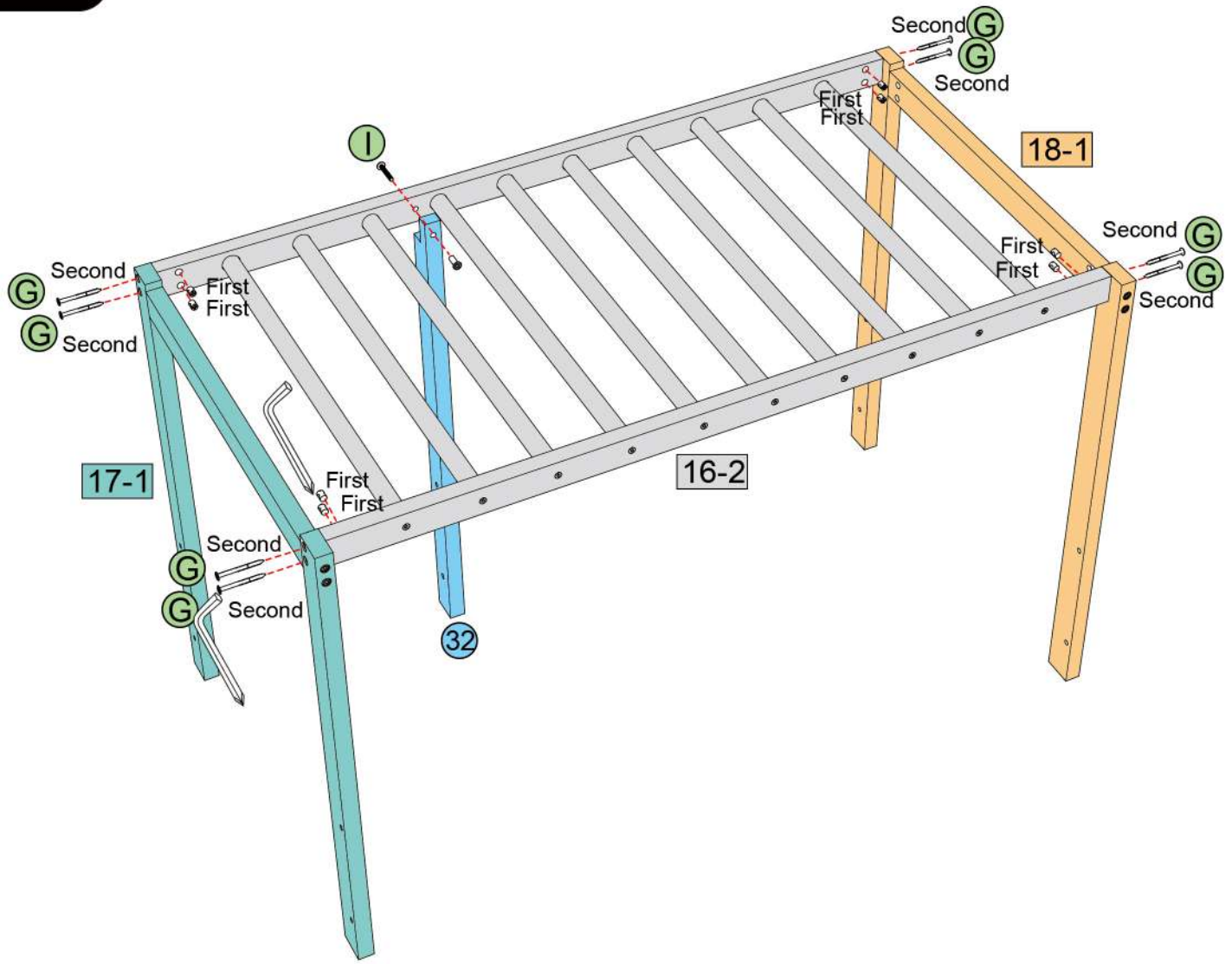


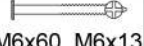
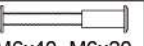

(H)	M6x80 M6x13	4
(K)	4mm	2

# 18-1



(H)	M6x80 M6x13	4
(K)	4mm	2

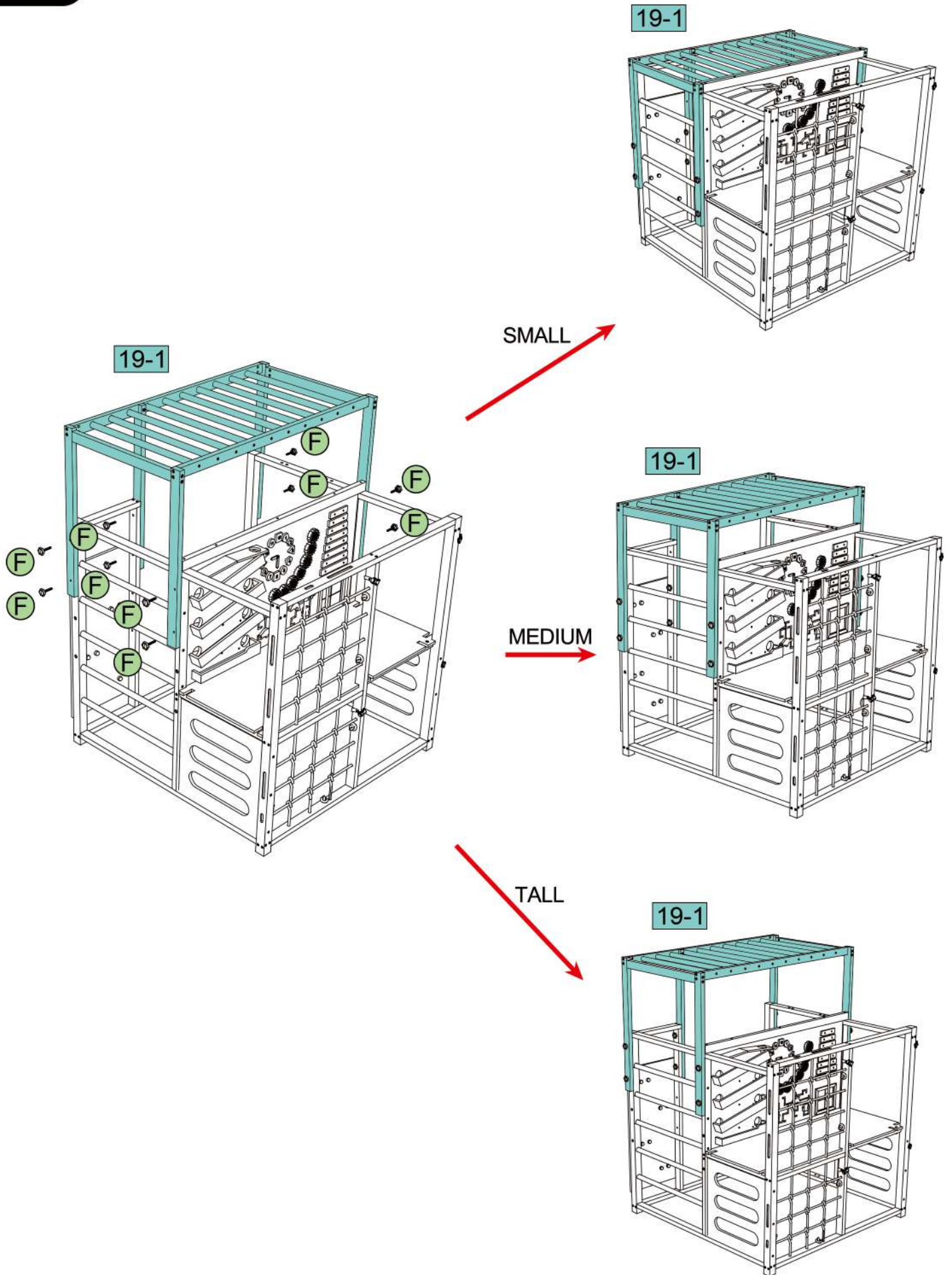


<b>G</b>		8
	M6x60 M6x13	
<b>I</b>		1
	M6x40 M6x20	
<b>K</b>		2
	4mm	



# 20-1

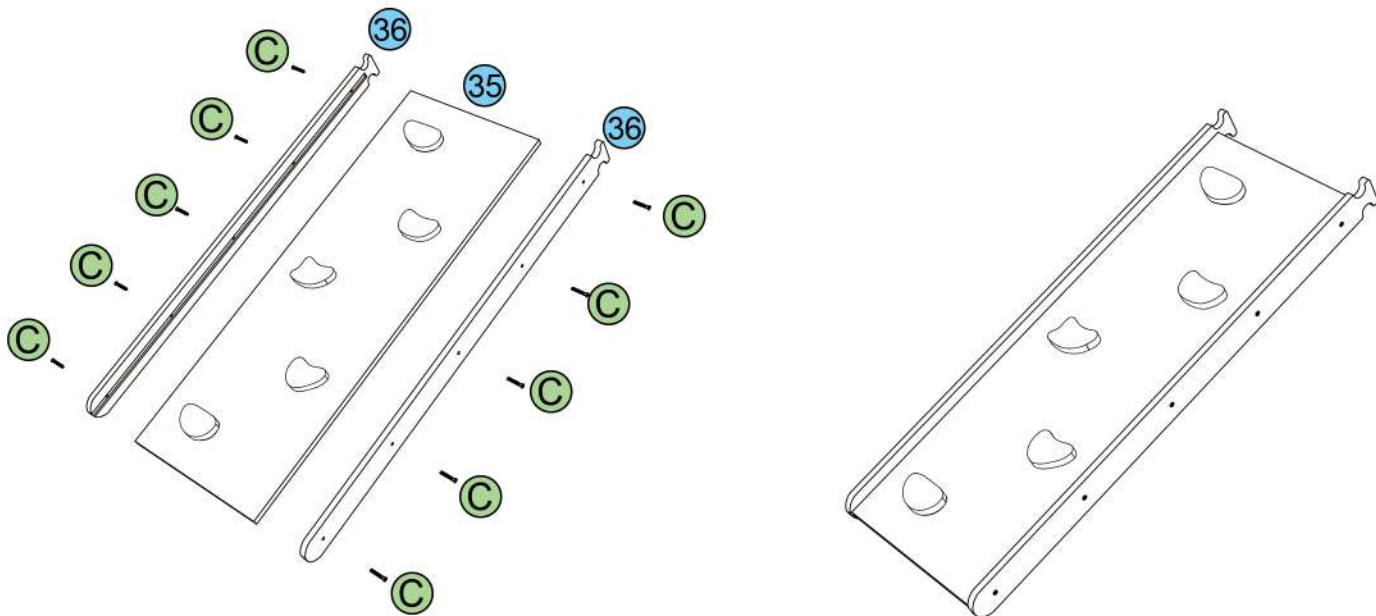
CHANGING HEIGHT FROM TALL, to MEDIUM or SMALL: Remove all 10 (F) screws on the legs



(F)		10
-----	---	----

M8x45

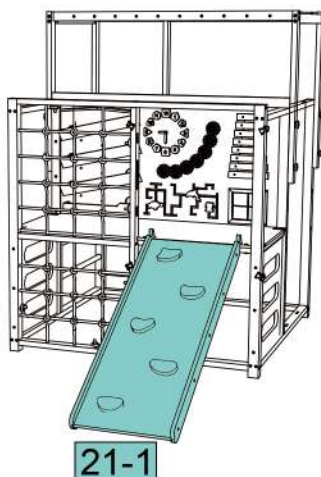
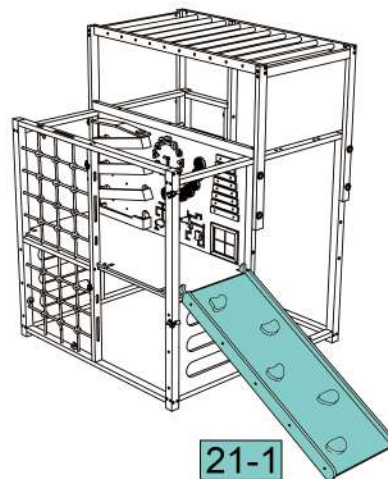
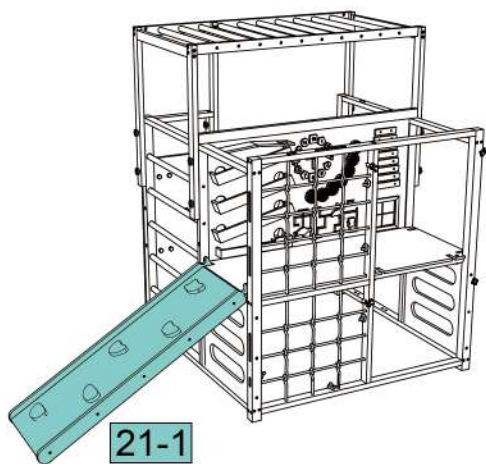
# 21-1

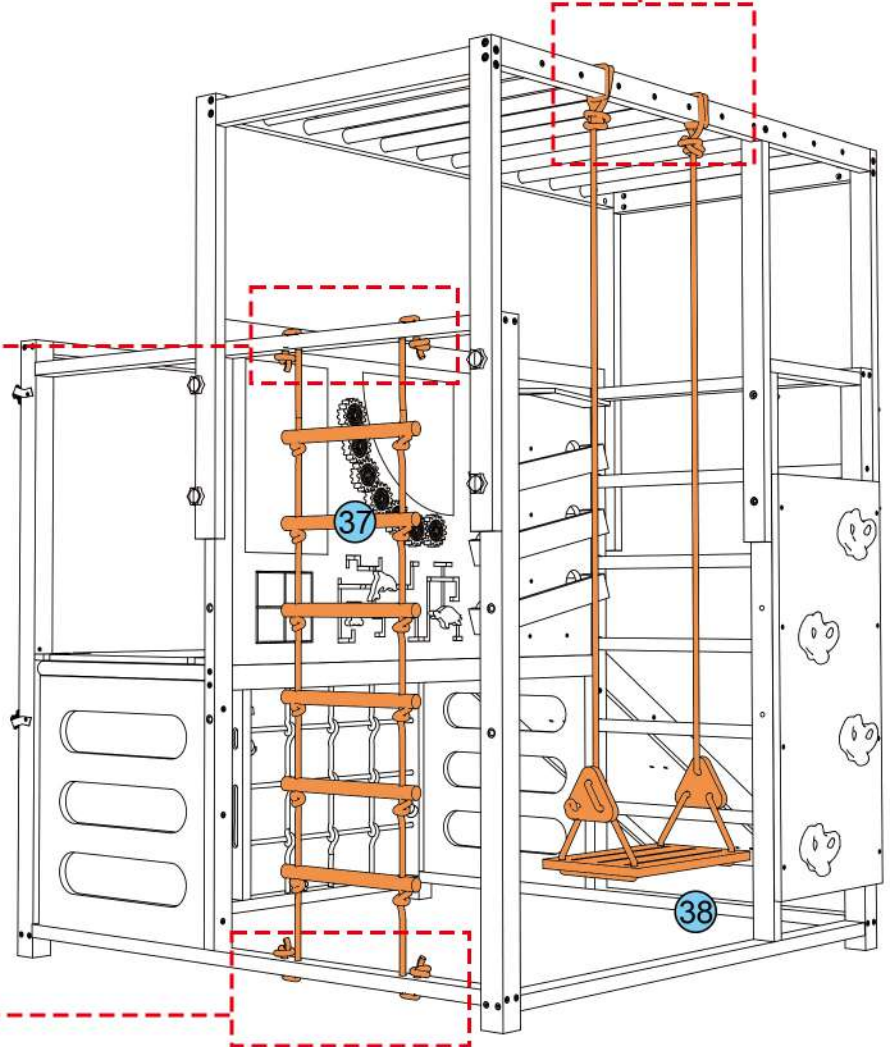
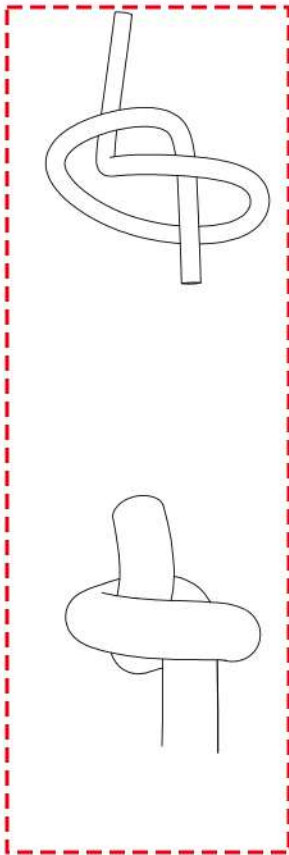
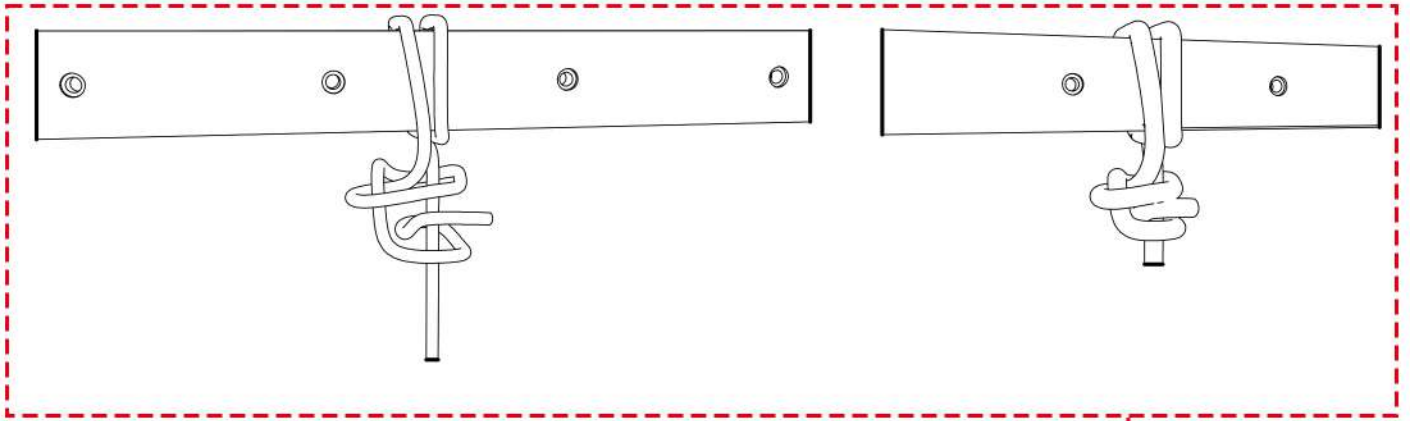


		10
	M6.3x40	

# 21-2

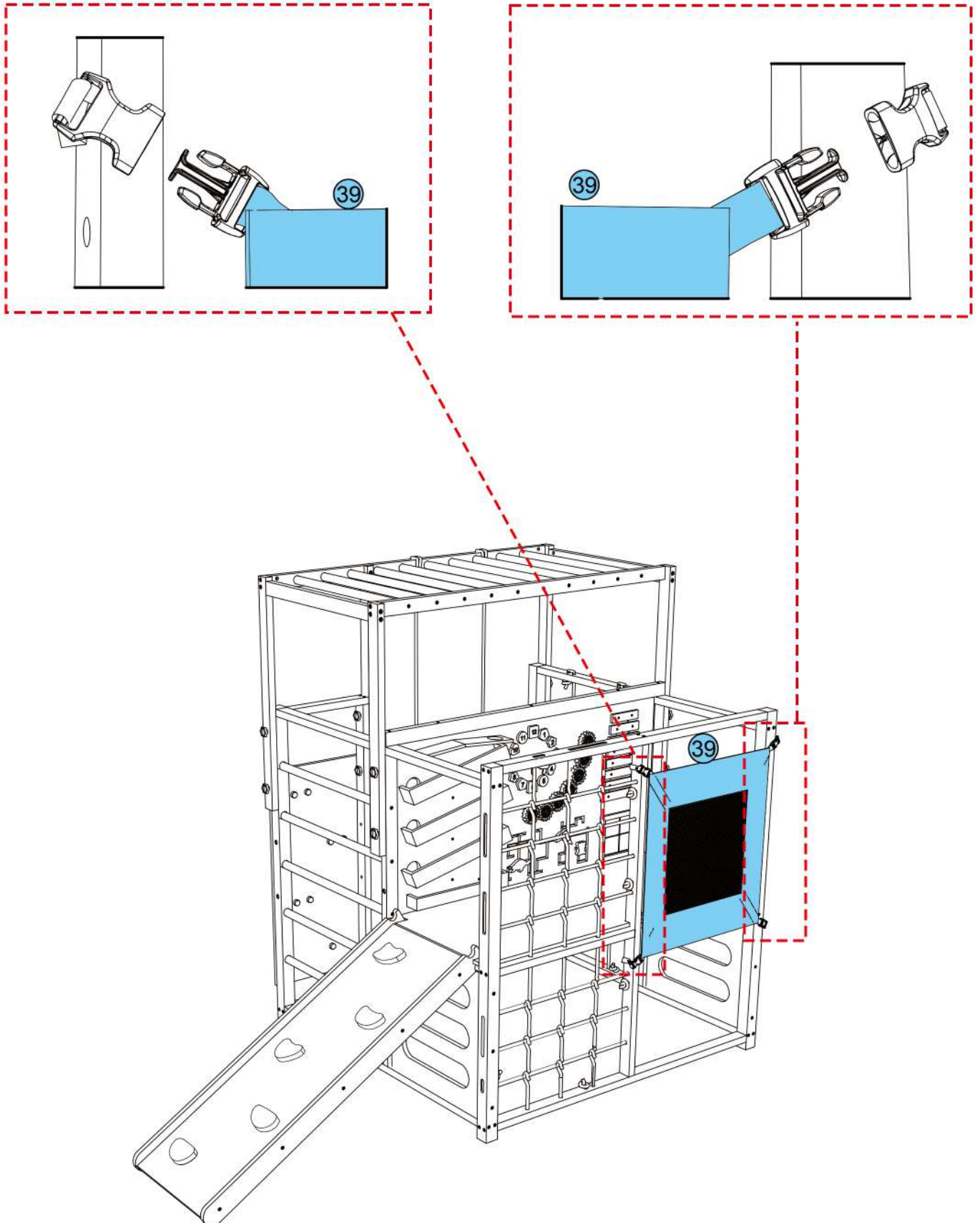
The slide can be attached in three areas

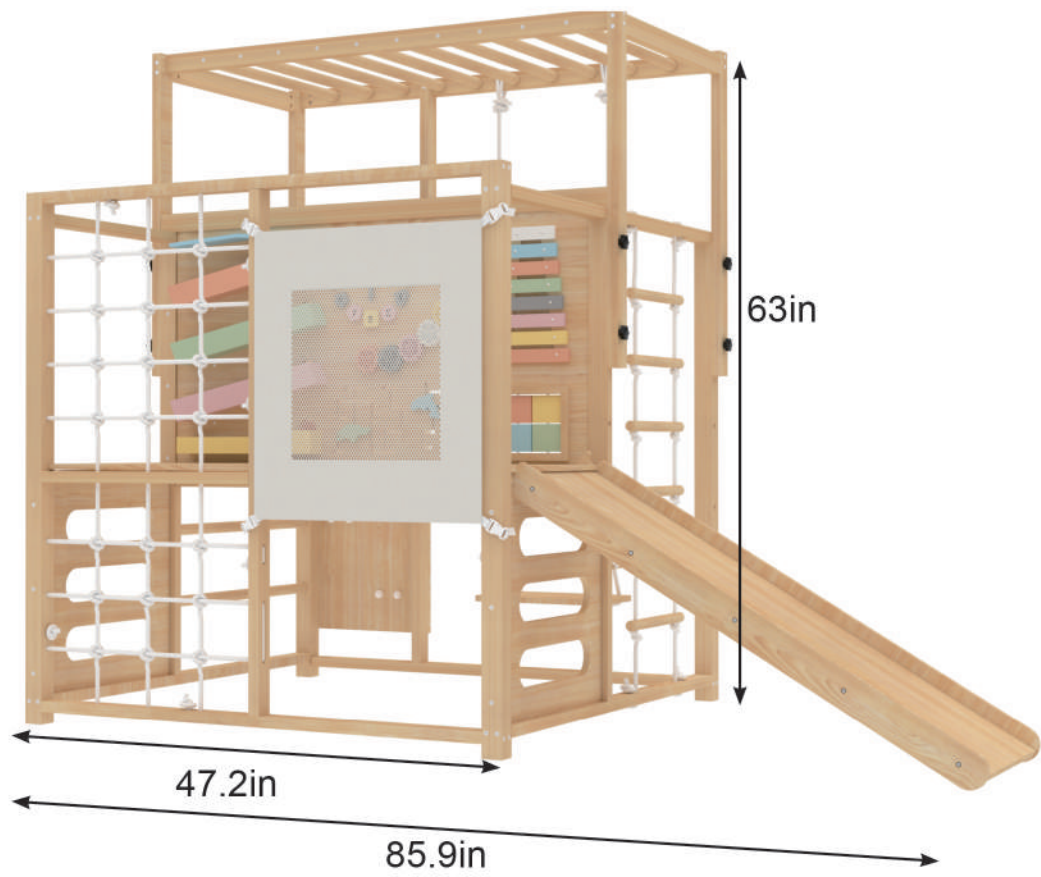
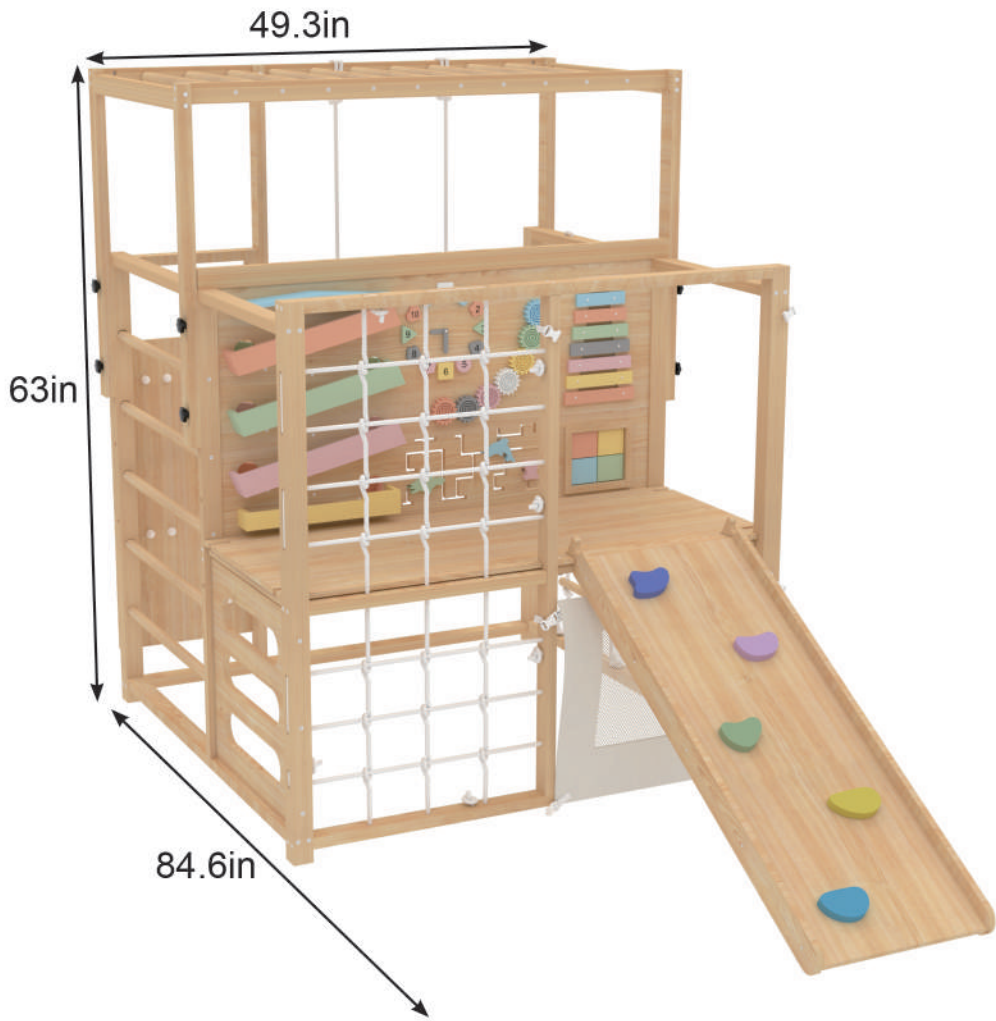


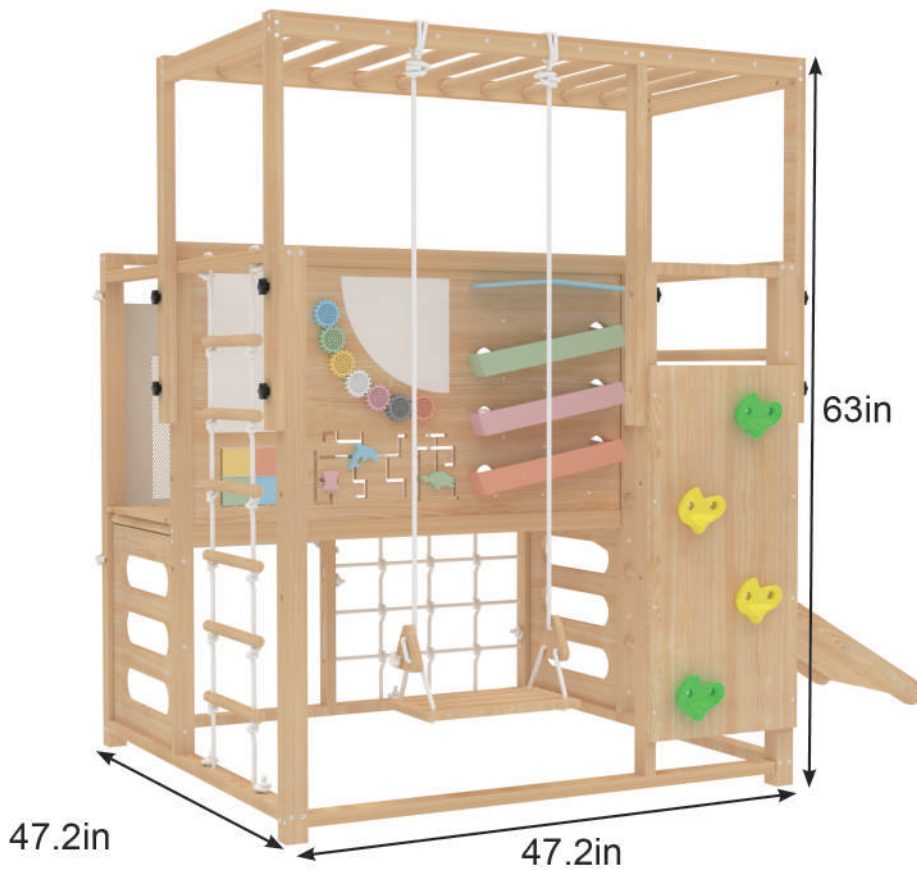
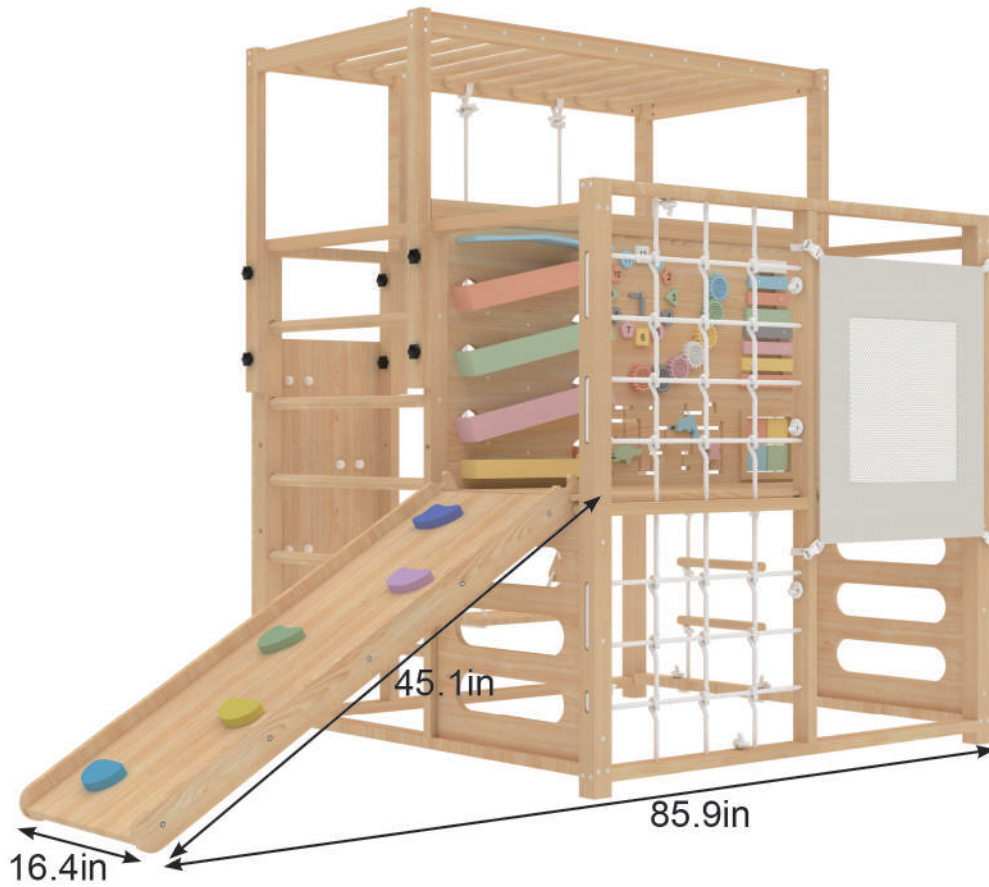


23-1

Note: Check all connections and bolts for tightness at least twice monthly during use.  
Do not use if screws are loose.







For questions with assembly or replacement parts, please email us at: [info@avenlur.com](mailto:info@avenlur.com) or call us at: **888-697-3931**