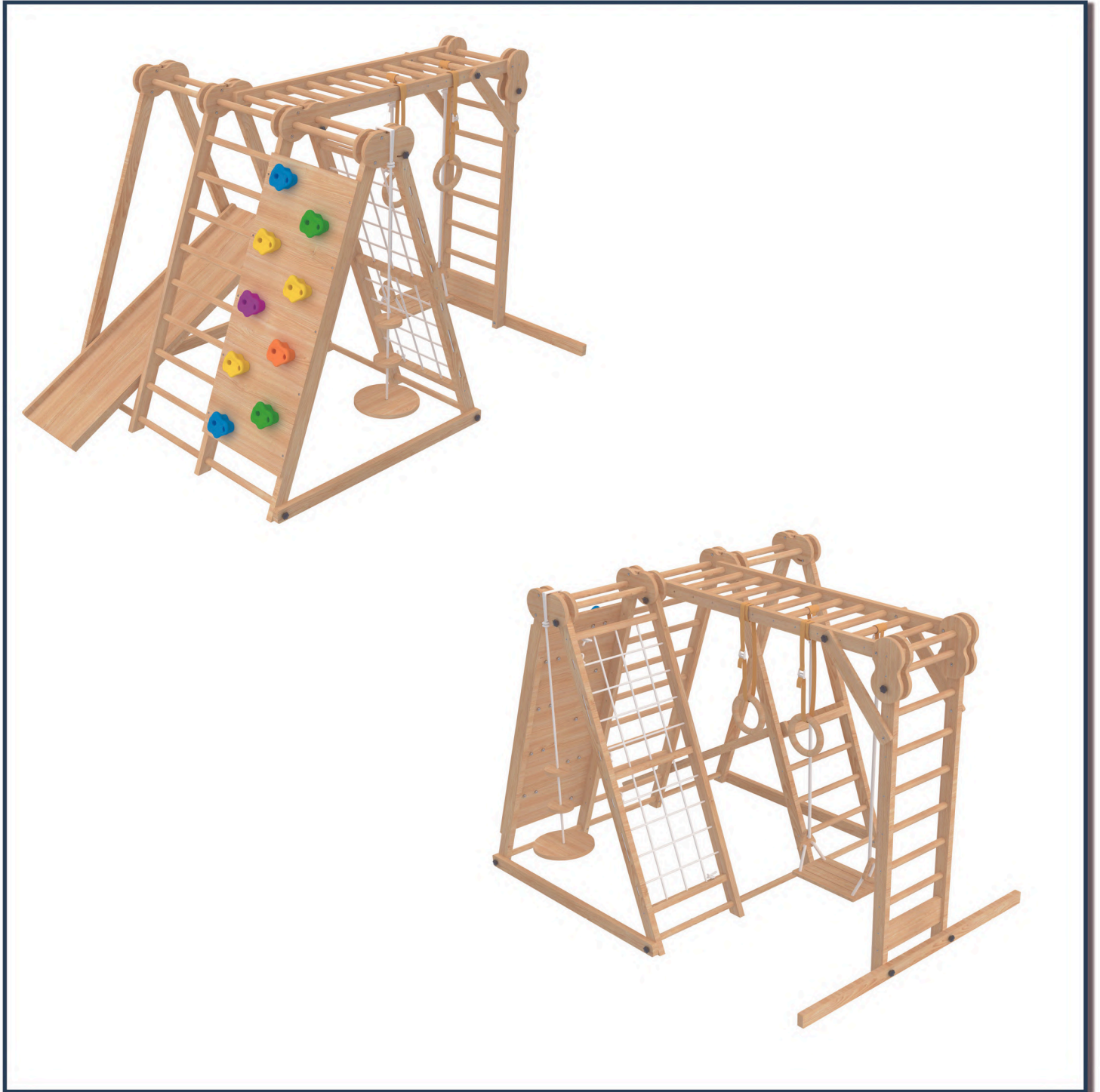


avenlur

Chestnut-Large by Avenlur



Need Help?

CALL US AT 888.697.3931 / M-F 9AM - 5PM PT (12PM - -8PM ET)
OR EMAIL US AT INFO@AVENLUR.COM

V3

**OBSERVE ALL STATEMENTS AND WARNINGS TO REDUCE THE LIKELIHOOD OF SERIOUS OR FATAL INJURY.
SAVE THIS SHEET FOR FUTURE REFERENCE.**

OPERATION INSTRUCTIONS

1. An adult should always supervise use of this product by children of all ages.
2. Limit: 2 children. Maximum weight per user: 110lbs (50kg).
3. Instruct children not to attach items to the playground equipment that are not specifically designed for use with the equipment (examples: ropes, clothesline, pet leashes, cables and chain, etc) as they may cause a strangulation hazard or any other hazard.
4. Never allow children to use the equipment in a manner other than intended.

MAINTENANCE INSTRUCTIONS

At the beginning of each season as well as at least twice monthly during the usage season:

1. To check all nuts and bolts for tightness and tighten when required;
2. To oil all metallic moving parts;
3. To check all coverings for bolts and sharp edges and replace when required;
4. To check swing seats, chains, ropes and other means of attachments for evidence of deterioration;
5. To replace defective parts in accordance with the manufacturer's instructions

INSTALLATION INSTRUCTIONS

Please have an electrical drill available for assembly if possible

If you have difficulty in installation, please contact us for help and get installation video for reference

Please Ensure:

1. You are assembling with at least two people to ensure that all sides and parts are leveled.
2. You don't screw the parts in too hard or it will splinter the wood.
3. You follow the directions carefully.

CONTACT US BEFORE ASSEMBLY

If you have assembly questions or if you need parts

whether they are missing or damaged

Call us at 888-697-3931 or email us at

info@Avenlur.com

OBSERVAR TODAS LAS DECLARACIONES Y ADVERTENCIAS PARA REDUCIR LA PROBABILIDAD DE LESIONES GRAVES O MORTALES. GUARDE ESTA HOJA PARA FUTURAS REFERENCIAS.

INSTRUCCIONES DE USO

1. Un adulto siempre debe supervisar el uso de este producto por los niños de todas las edades.
2. Límite: 2 niños. Peso máximo por usuario: 50Kg.
3. Indique a los niños que no coloquen elementos en el equipo del patio de recreo que no estén específicamente diseñados para usarse con el equipo (ejemplos: cuerdas, tendedero, correas para mascotas, cables y cadenas, etc.) ya que pueden causar un peligro de estrangulación o cualquier otro peligro.
4. Nunca permita que los niños usen el equipo de una manera distinta a la prevista.

INSTRUCCIONES DE MANTENIMIENTO

1. Inspeccione el producto periódicamente para detectar componentes sueltos o dañados. Apriete los pernos si es necesario.
2. Compruebe que las conexiones y pernos estén apropiadamente apretados al menos 2 veces al mes durante su uso.
3. Verifique que todos los cubiertos y pernos no tengan filos cortantes.

INSTRUCCIONES DE INSTALACIÓN

Tenga un taladro eléctrico disponible para el montaje si es posible.

Si usted tiene dificultad en la instalación, por favor póngase en contacto con nosotros para obtener ayuda y obtener video de instalación para referencia.

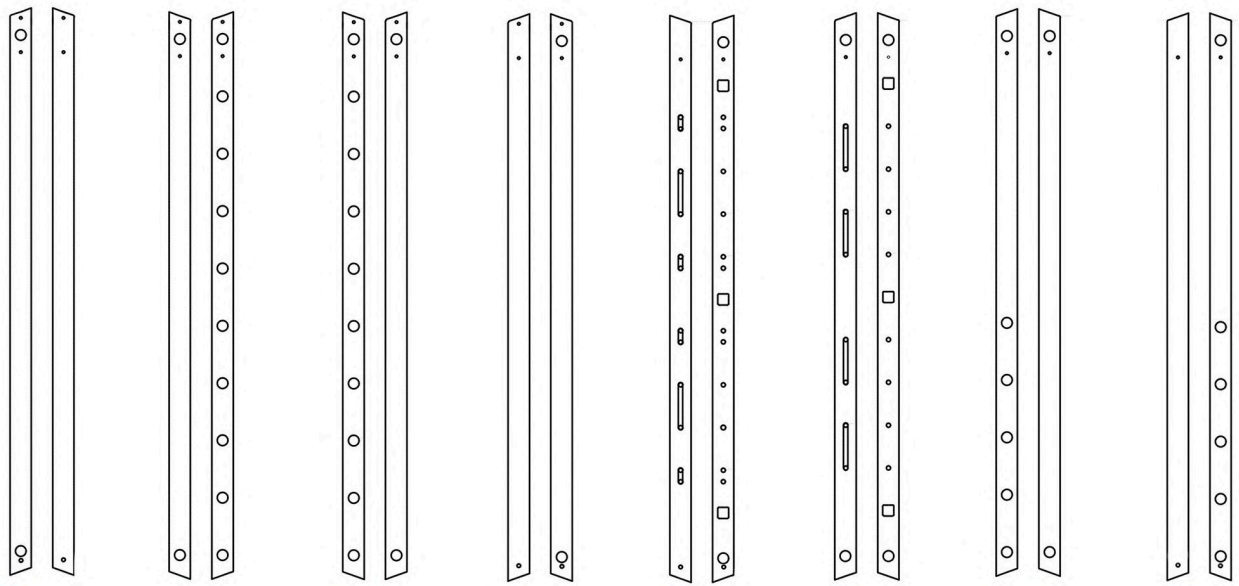
Asegúrese de:

1. Usted está con al menos un adulto más para asegurarse que los lados y partes están nivelados.
2. Que los tornillos y piezas no sean apretados demasiado duro para evitar astillar o romper la madera.
3. Siga las instrucciones cuidadosamente.

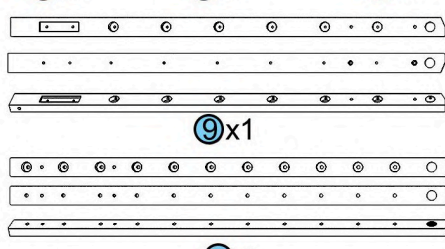
CONTACTENOS ANTES DE ENSAMBLAR

Si usted tiene preguntas de ensamblaje o necesita partes,
le faltan piezas o estan dañadas.

Lámenos al 888-697-3931 or escribanos a
info@avenlur.com

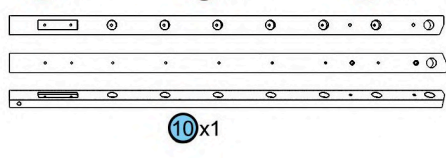


①x1 ②x1 ③x1 ④x1 ⑤x1 ⑥x1 ⑦x1 ⑧x1



⑨x1

⑪x2



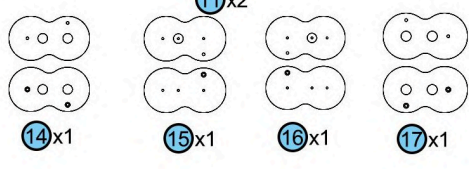
⑩x1

⑬x2

L:216.5in



④① x 6 L:21.6in

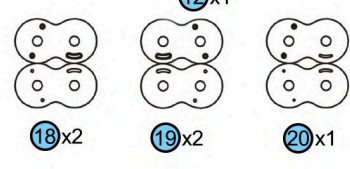


⑭x1

⑮x1

⑯x1

⑰x1



⑱x2

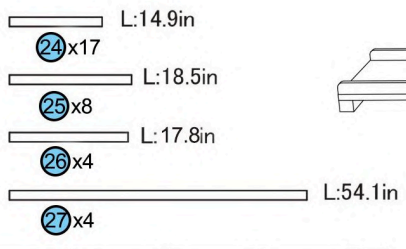
⑲x2

⑳x1

㉑x1

㉒x1

㉓x1

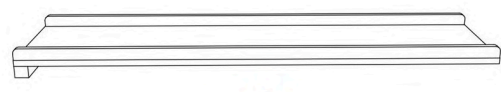


L:14.9in
⑳x17

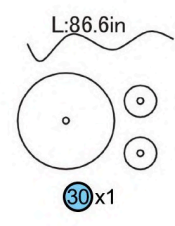
L:18.5in
㉕x8

L:17.8in
㉖x4

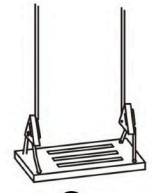
L:54.1in
㉗x4



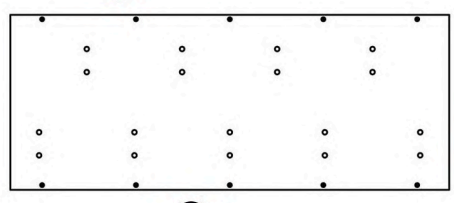
㉙x1



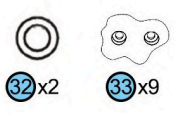
⑳x1



㉑x1

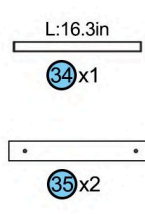


㉒x1



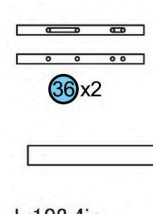
㉒x2

㉓x9



L:16.3in
㉔x1

㉕x2

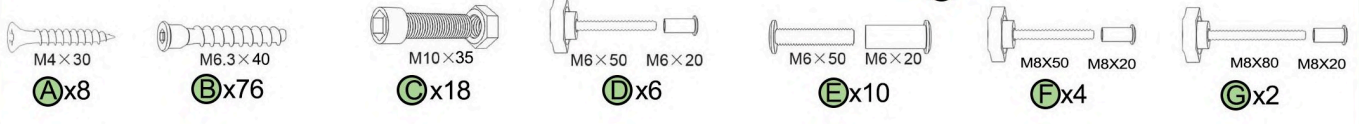


L:14.2in
㉖x2

㉗x1

㉘x1

L:102.4in
㉙x2



M4x30
A x 8

M6.3x40
B x 76

M10x35
C x 18

M6x50 M6x20
D x 6

M6x50 M6x20
E x 10

M8x50 M8x20
F x 4

M8x80 M8x20
G x 2



4mm
H x 2

5mm
I x 1

17mm
J x 1

M6x20 M6x40
K x 2

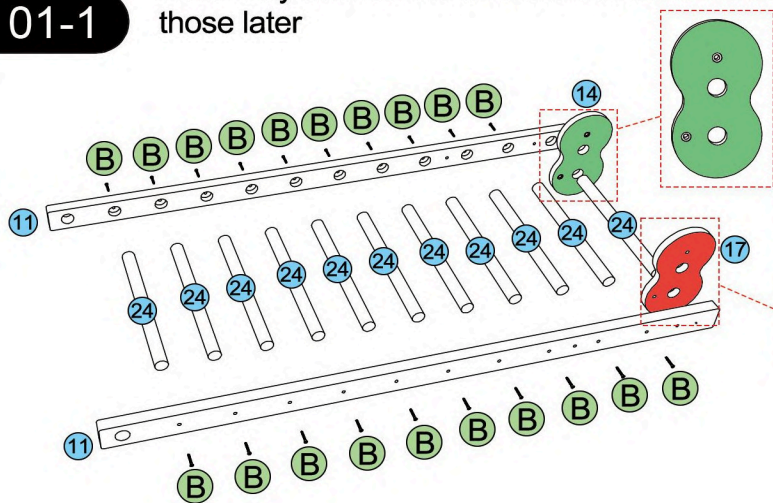
M4x40
N x 10

M6x35 M6x20
O x 2

M7x70
Q x 2

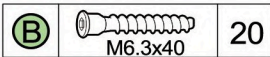
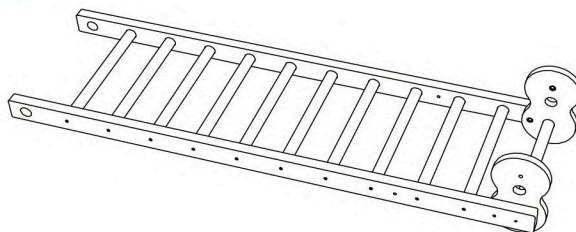
01-1

Note: Pay attention to all the black bubbled section markers. The manual may refer back to those later



NOTE: Pay attention to the holes on the part 17 & 14, make sure parts 17 & 14 are facing the correct direction as shown.

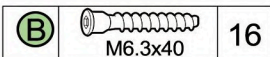
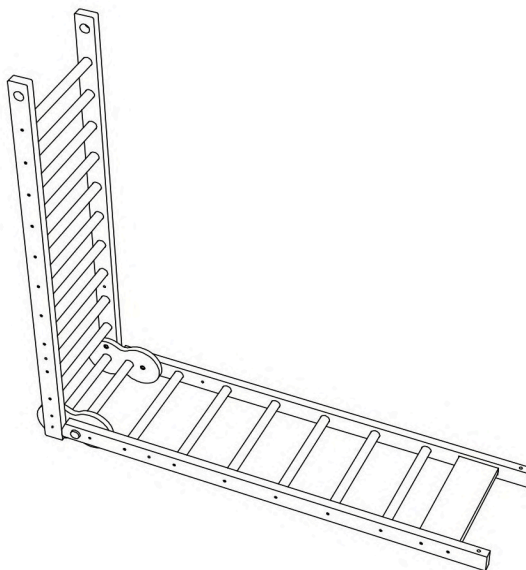
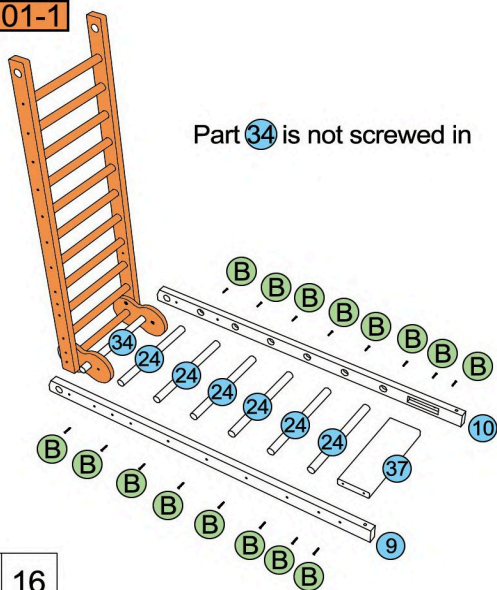
After screwing in the parts of each section, go back and re-screw them for tightness. If some screws are stubborn, use the manual hex wrench provided



01-2

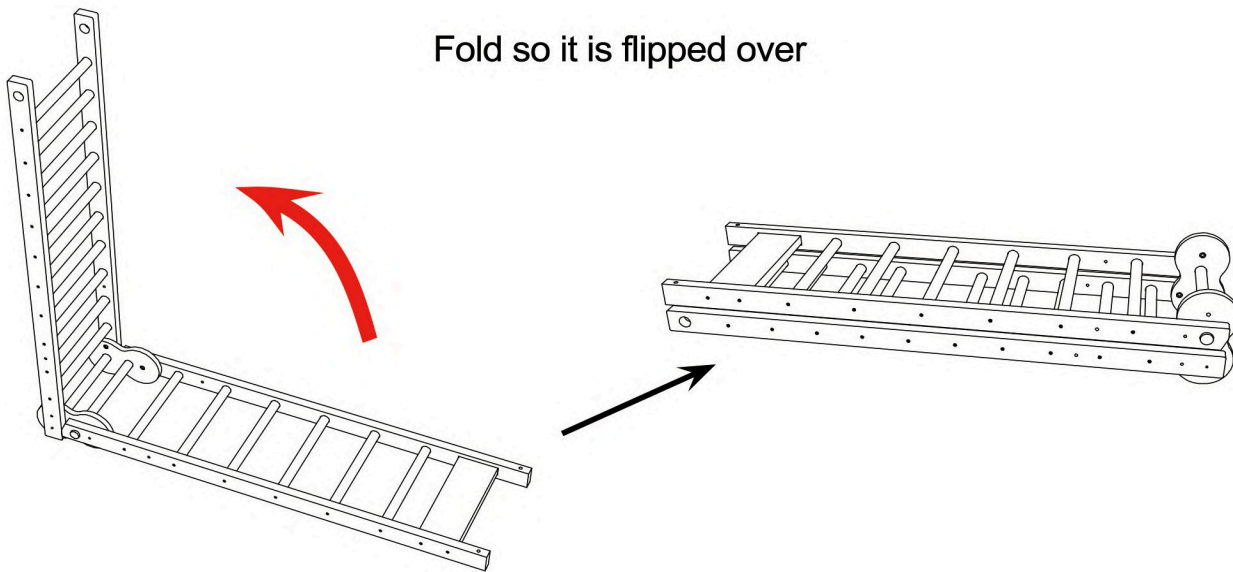
01-1

Part 34 is not screwed in

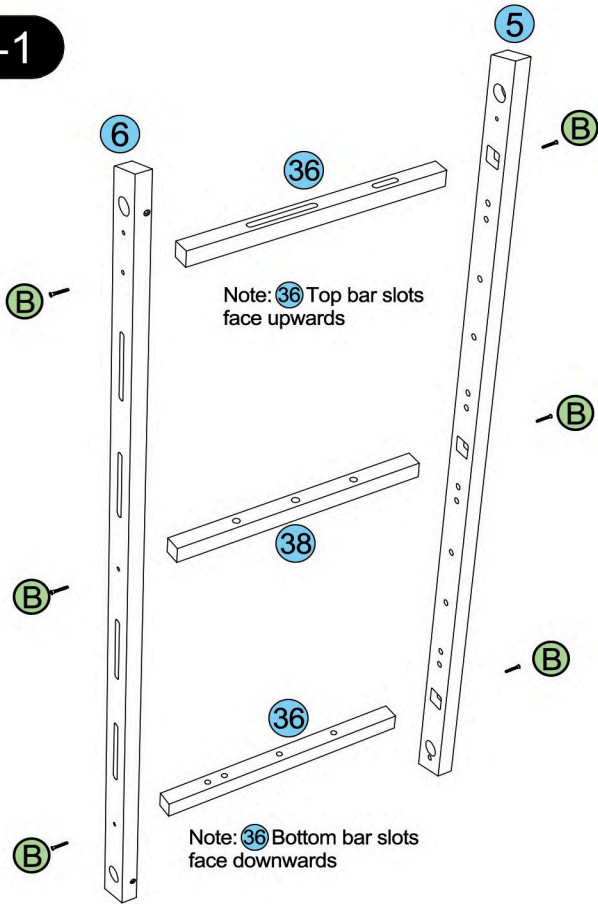


01-3

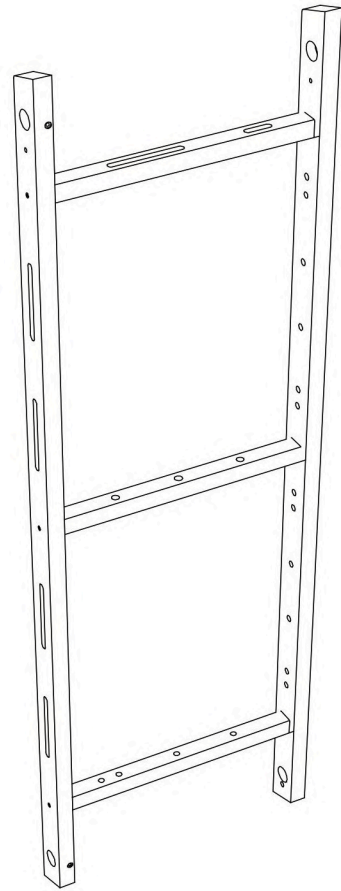
Fold so it is flipped over



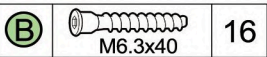
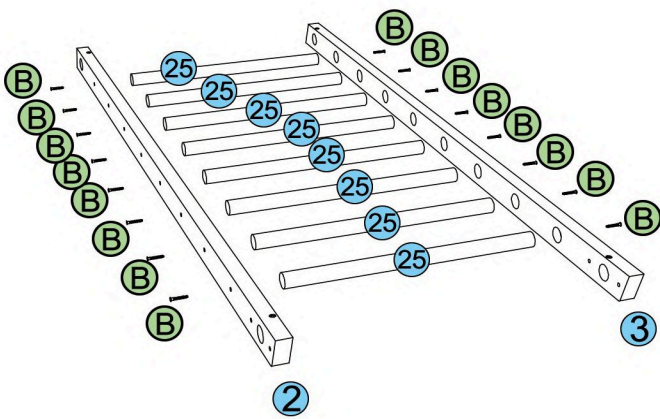
02-1



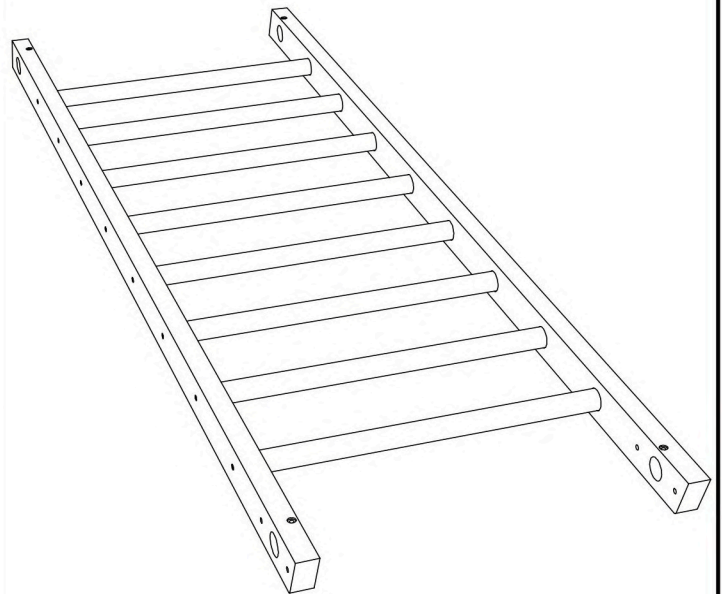
02-2



03-1



03-2

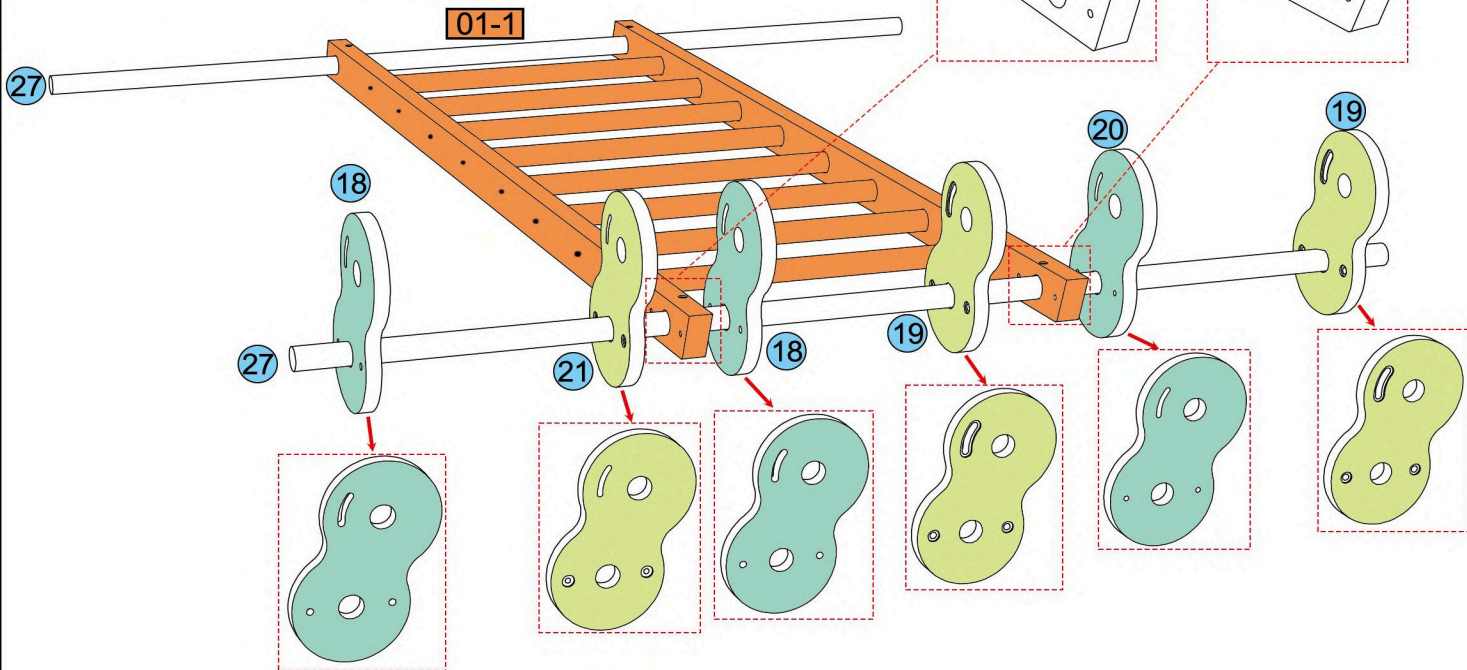


04-1

Note:

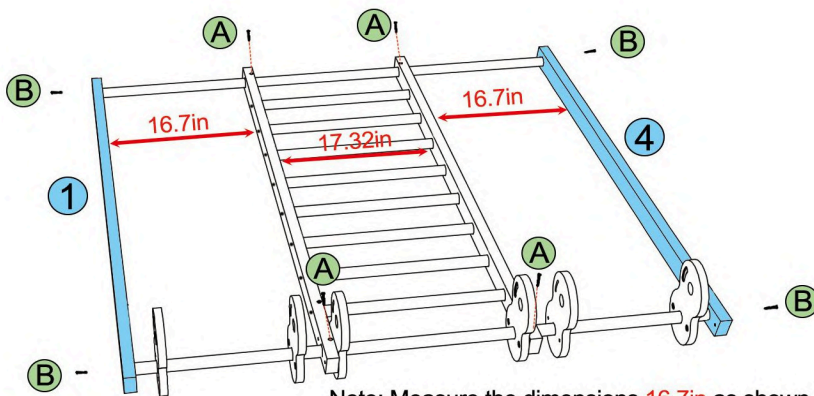
1. Slide bar 27 through one beam then add the middle parts of 18 and 19.
2. Slide 27 through the other beam and add the other 4 parts on the ends as shown.

Note: Parts 18-21 go on the ends with these holes



NOTE: Pay attention to the holes on the part 18, 19, 20 & 21, make sure parts 18, 19, 20 & 21 are facing the correct direction as shown.

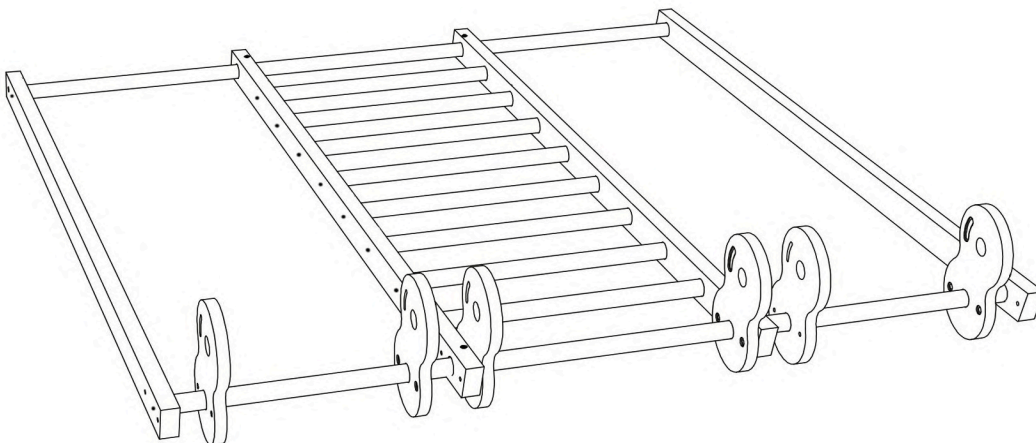
04-2



(A)		4
(B)		4

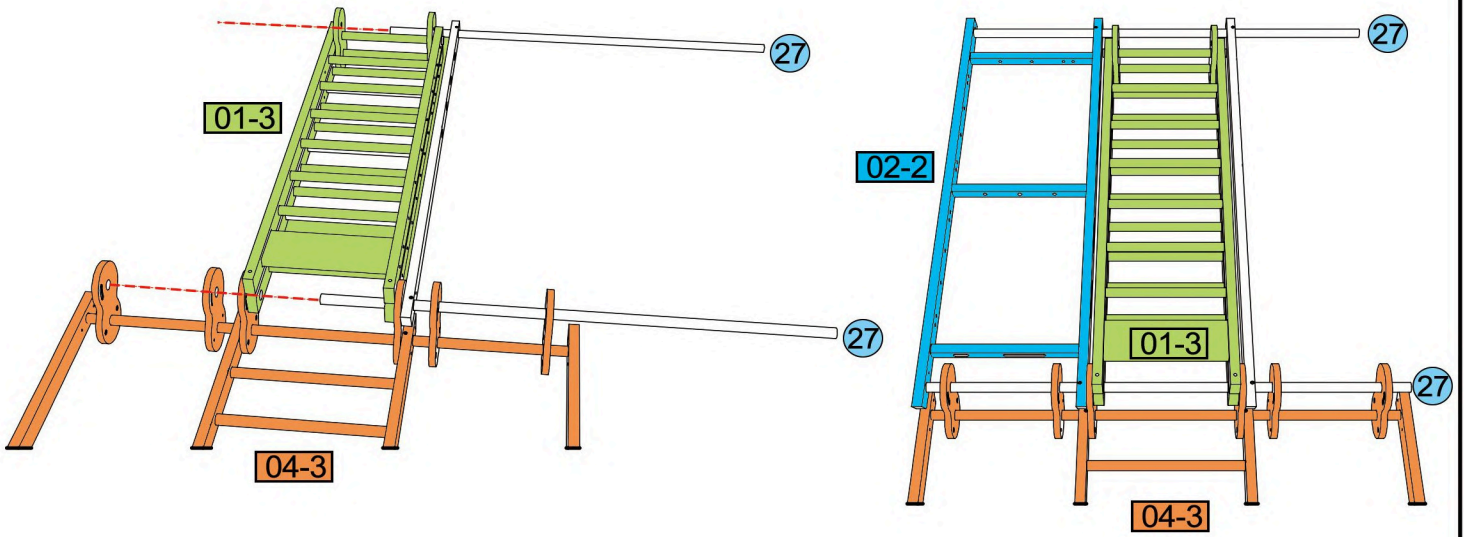
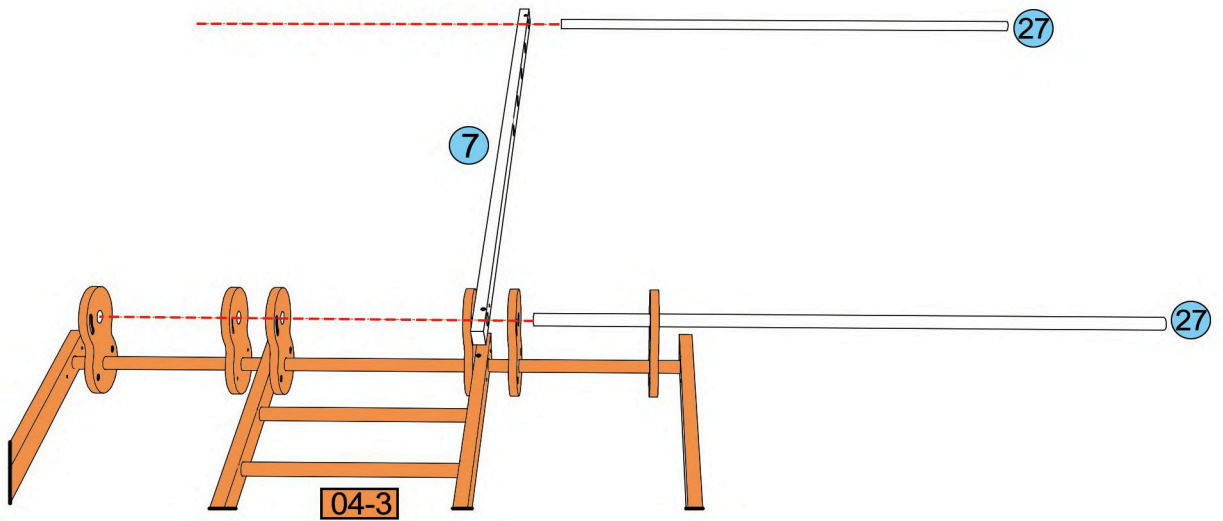
Note: Measure the dimensions 16.7in as shown before tightening the screws

04-3

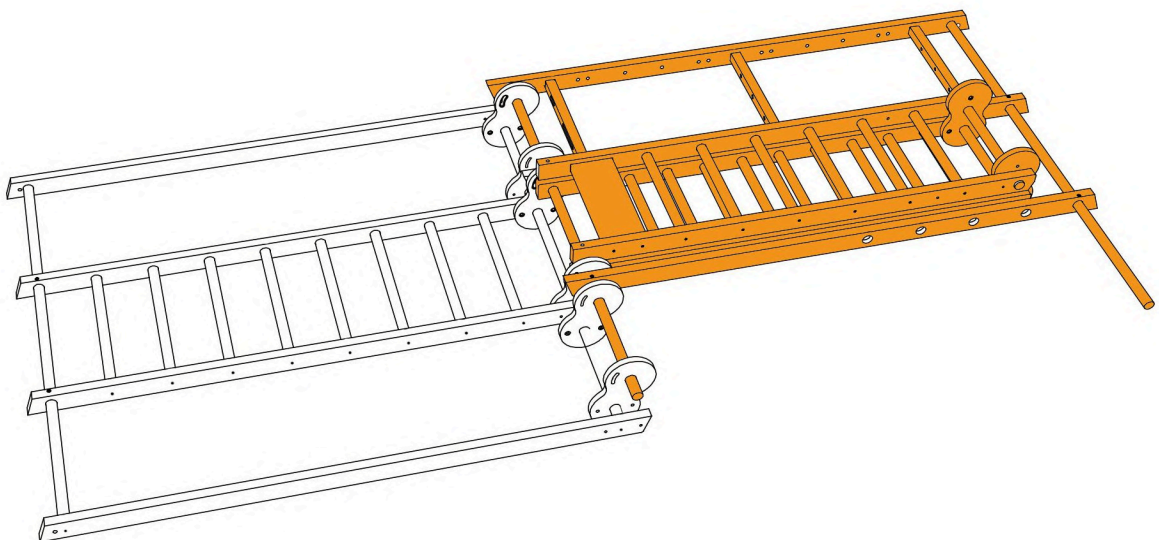


05-1

Note: Add section 01-3 and 02-2 by sliding parts 27 through the holes as shown

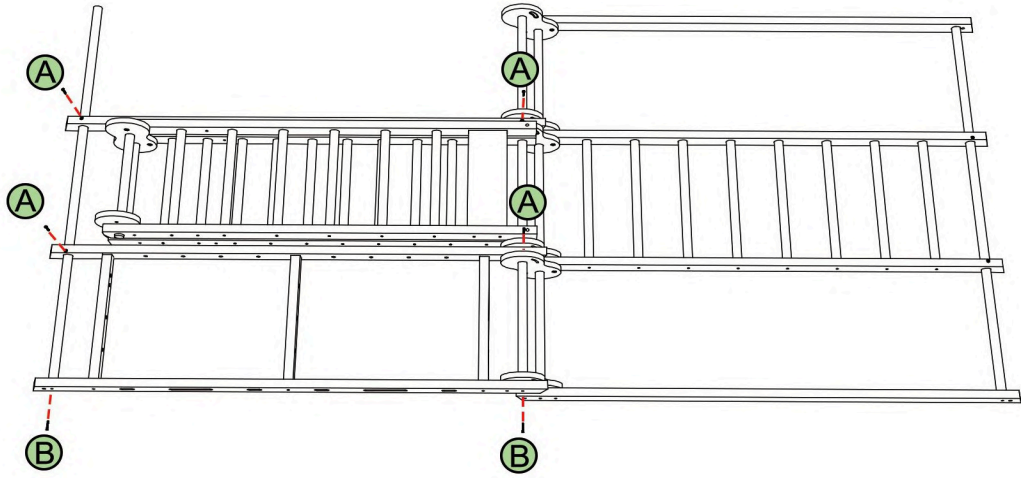


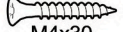
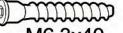
05-2



05-3

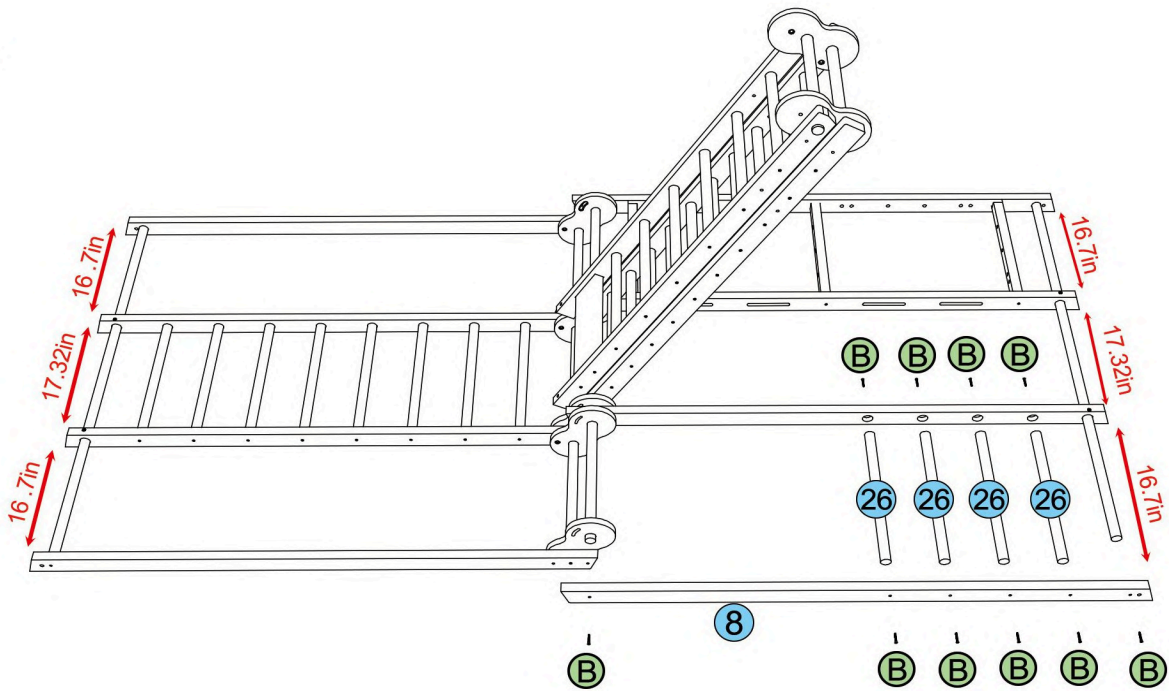
Secure both bars 27 to the beams with screw A

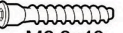


A		4
B		2

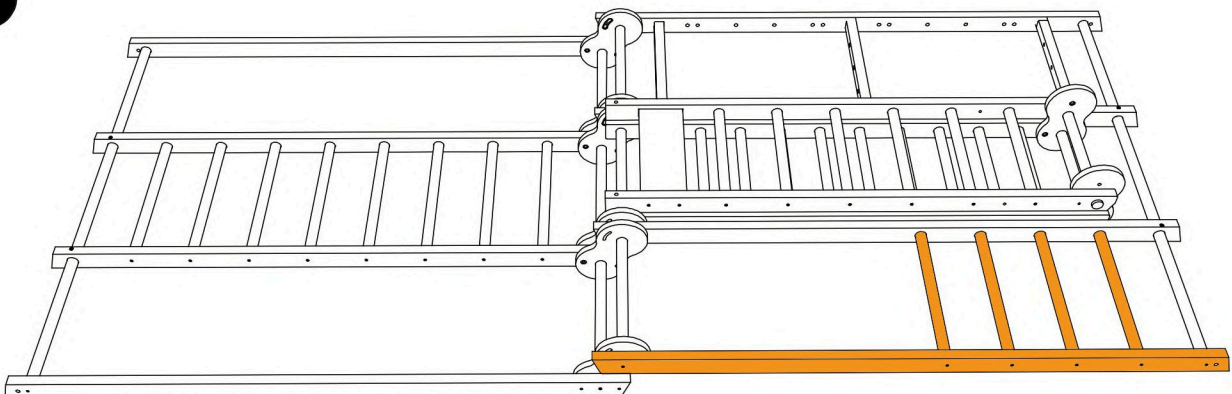
Note: Measure the dimensions 16.7in as shown before tightening the screws

06-1

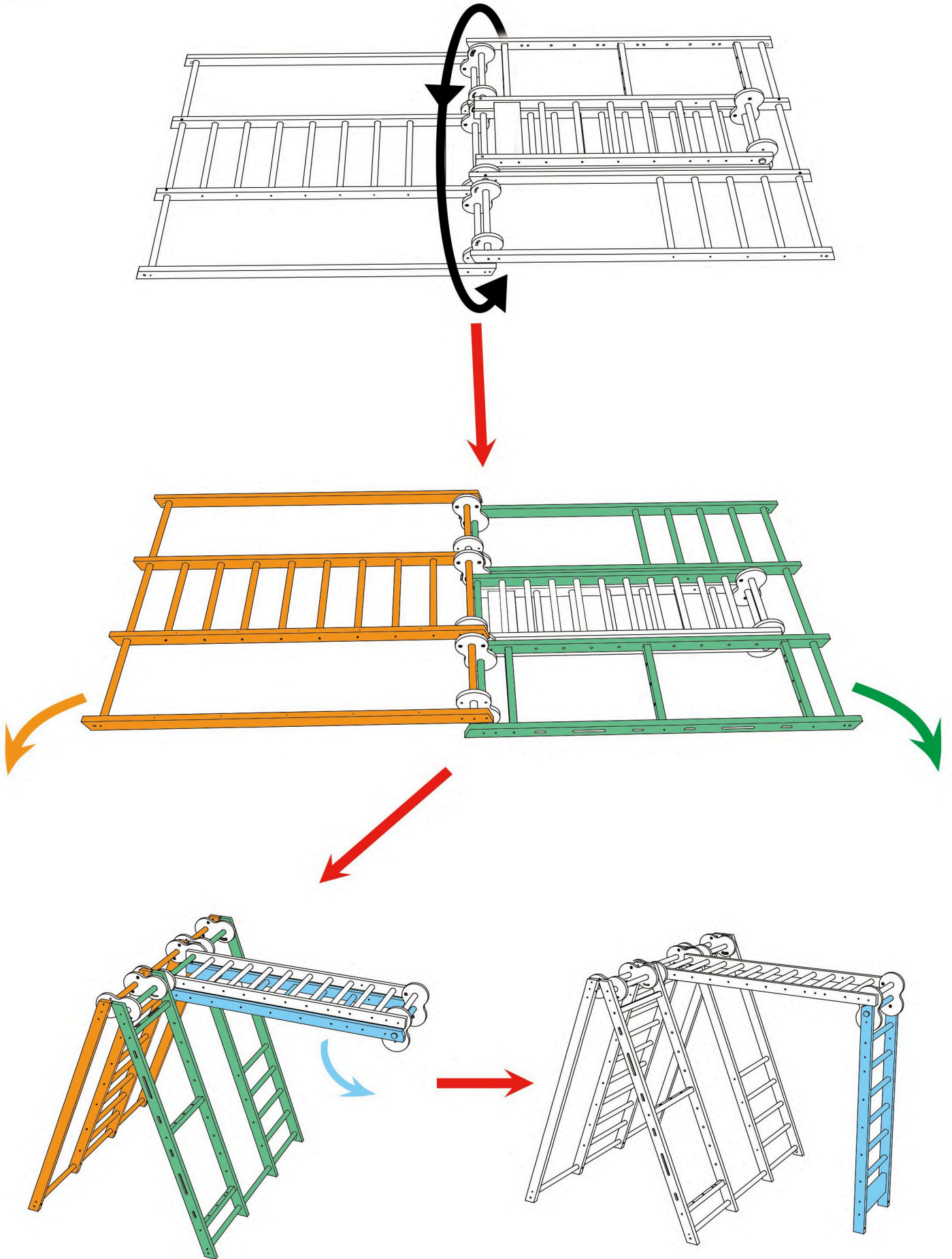


B		10
---	---	----

06-2

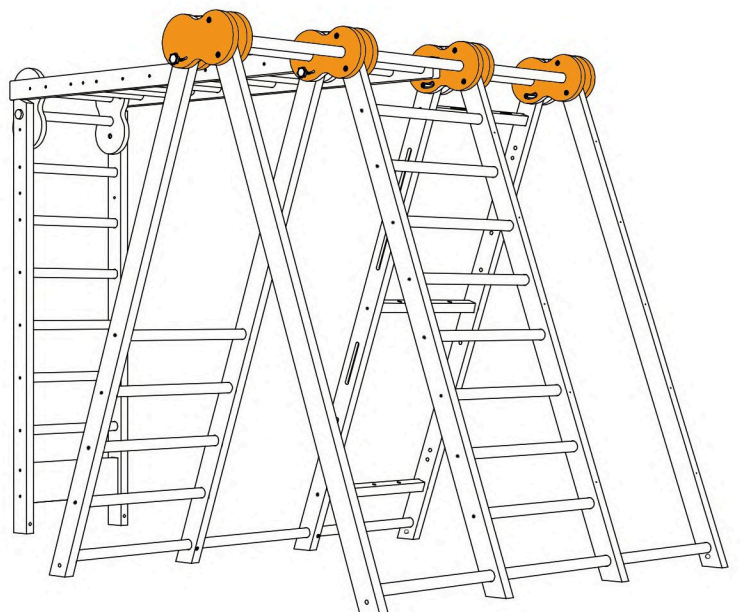
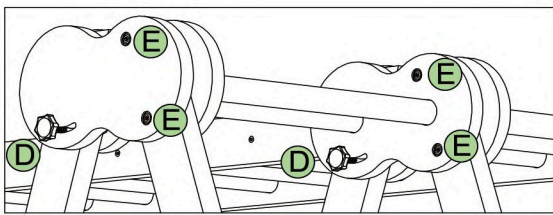
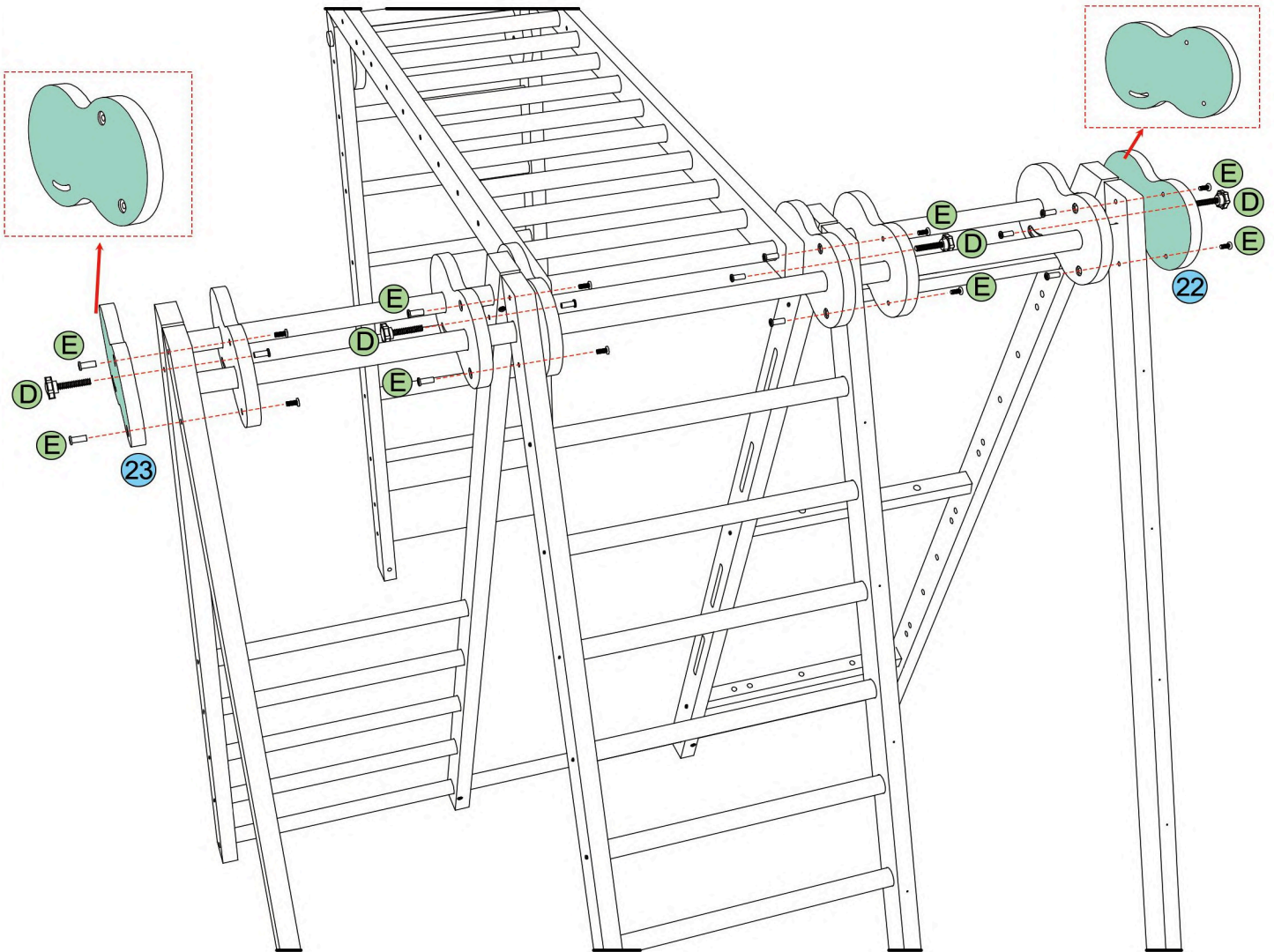



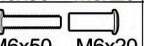
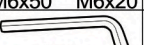
07-1



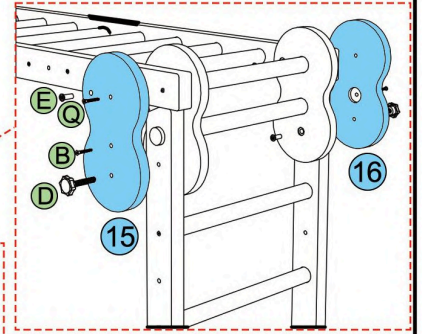
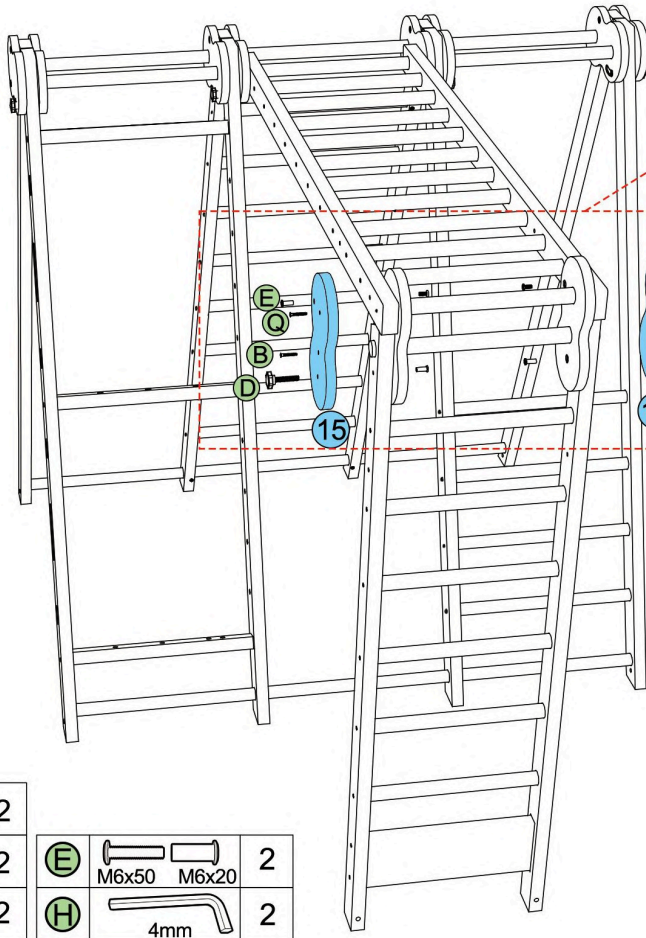
08-1

NOTE: Pay attention to the holes on the part 22 & 23, make sure parts 22 & 23 are facing the correct direction as shown.



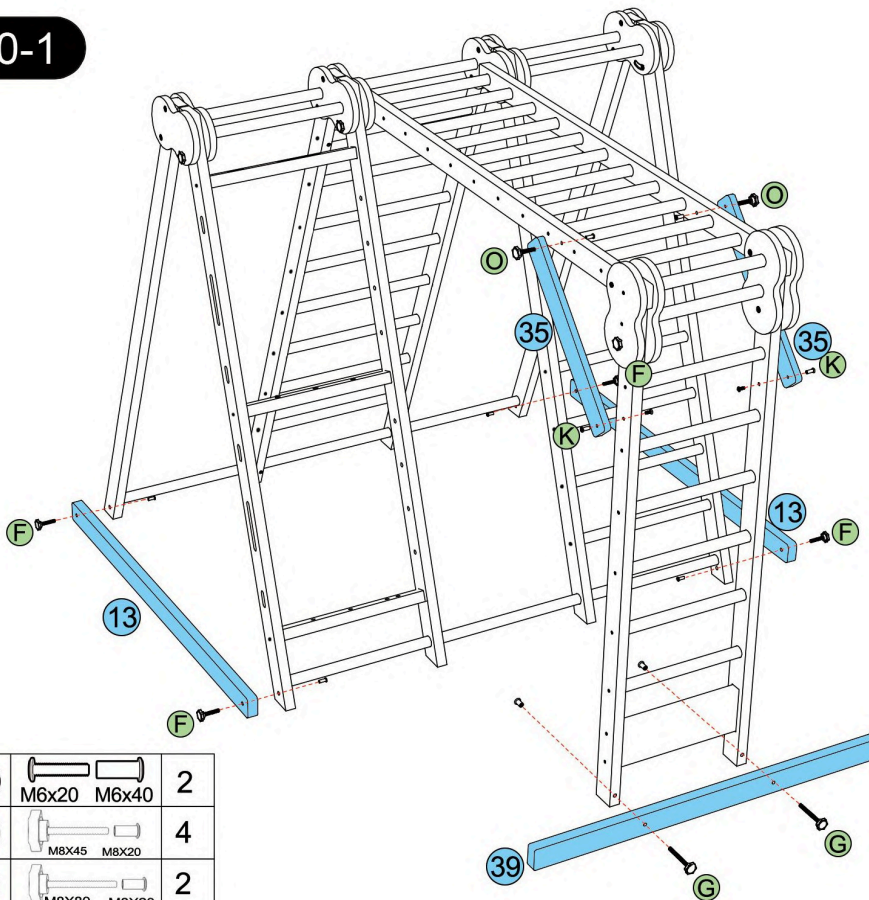
D	 M6x50 M6x20	4
E	 M6x50 M6x20	8
H	 4mm	2

09-1



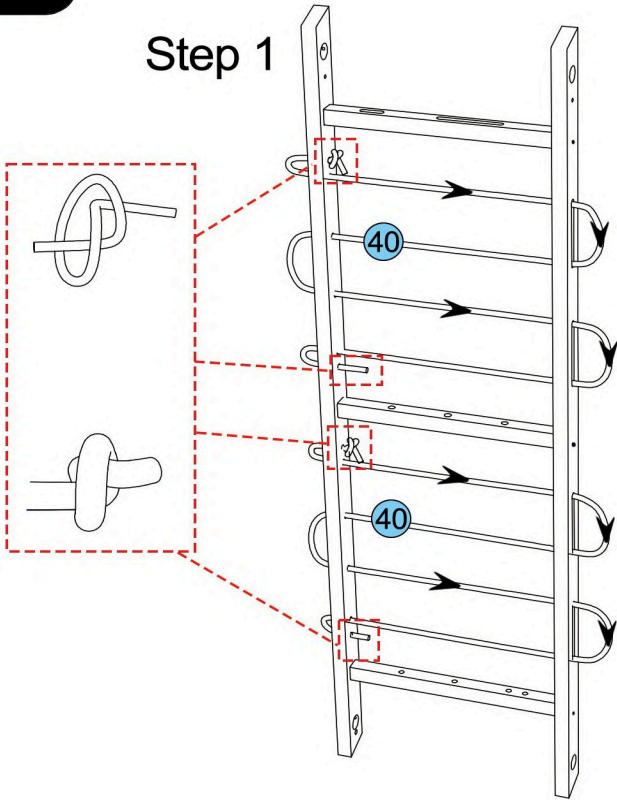
Q		2	E		2
B		2	H		2
D		2			

10-1



K		2
F		4
G		2
O		2

Step 1

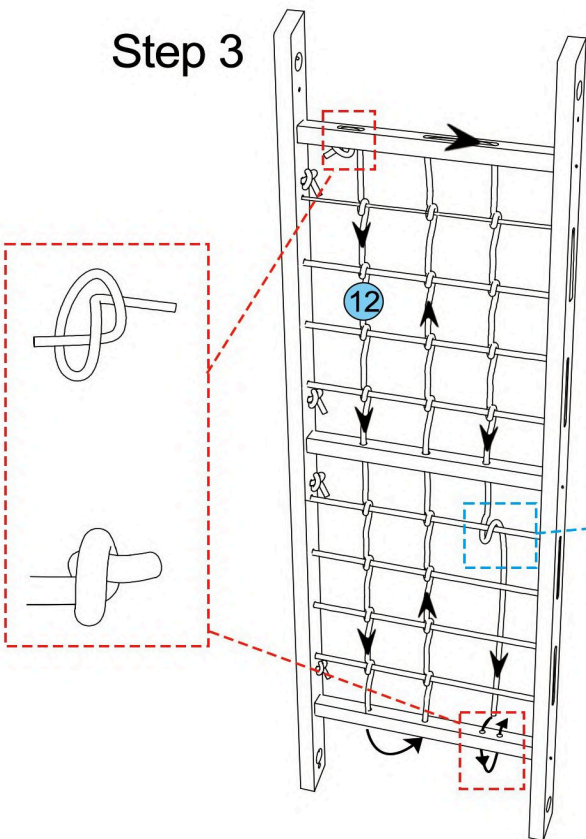


Step 2

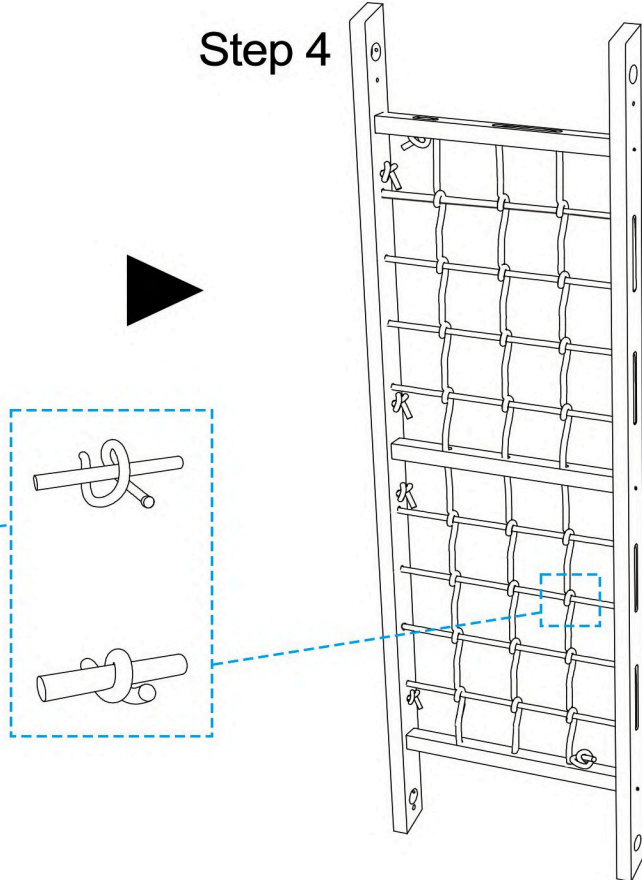


Note: The vertical rope will wrap once around each horizontal rope on each pass.
The vertical rope goes through the holes of the middle horizontal bar

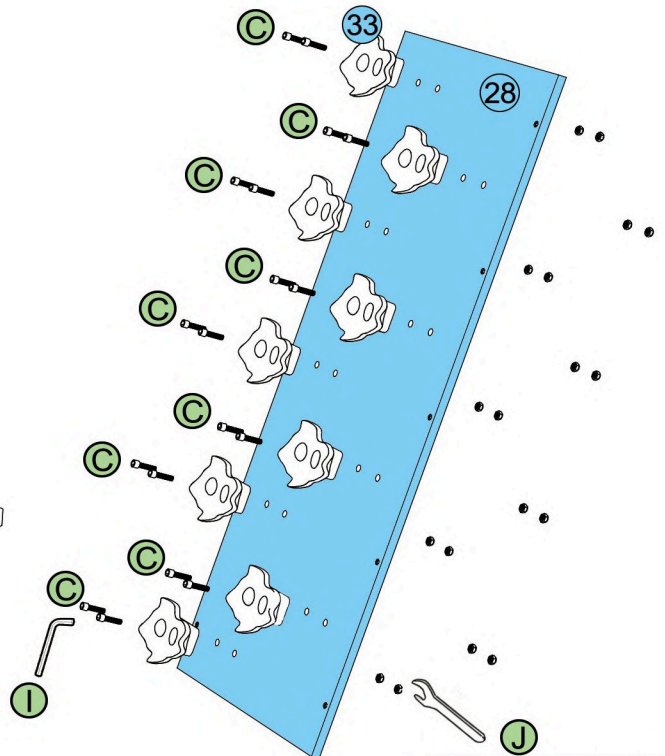
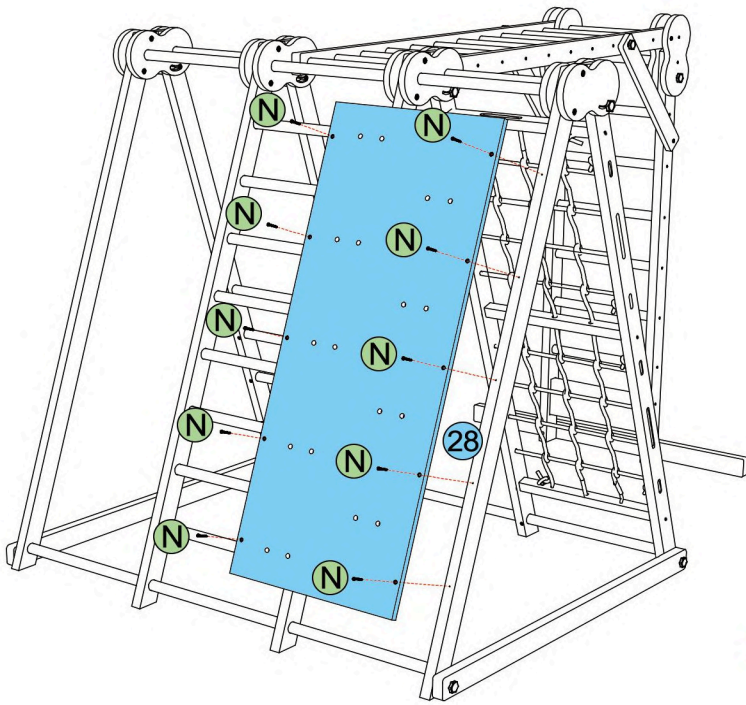
Step 3




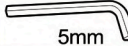

Step 4



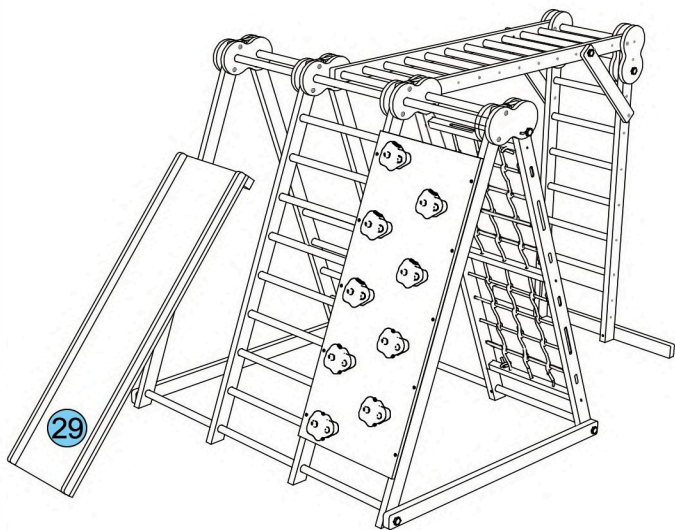
12-1



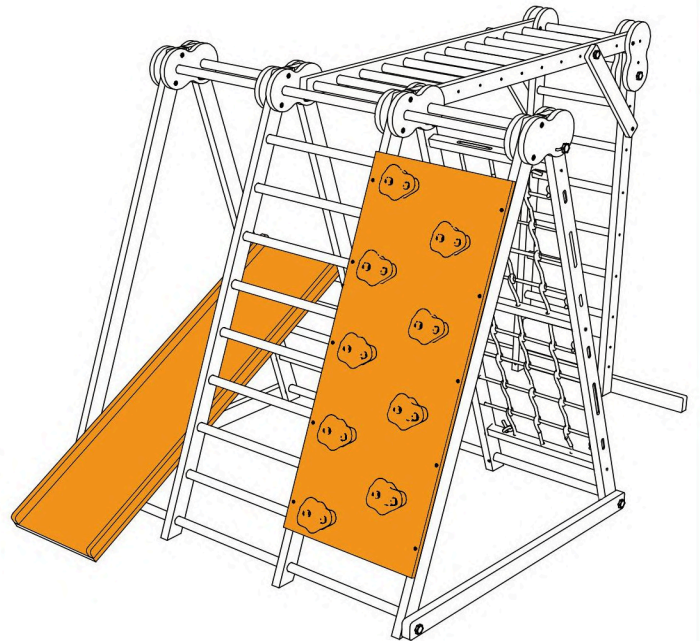
N		M4x40	10
----------	---	-------	----

C		M10x35	18
I		5mm	1
J		17mm	1

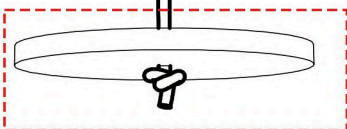
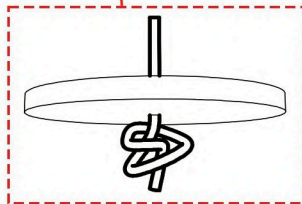
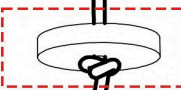
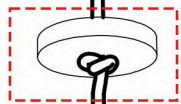
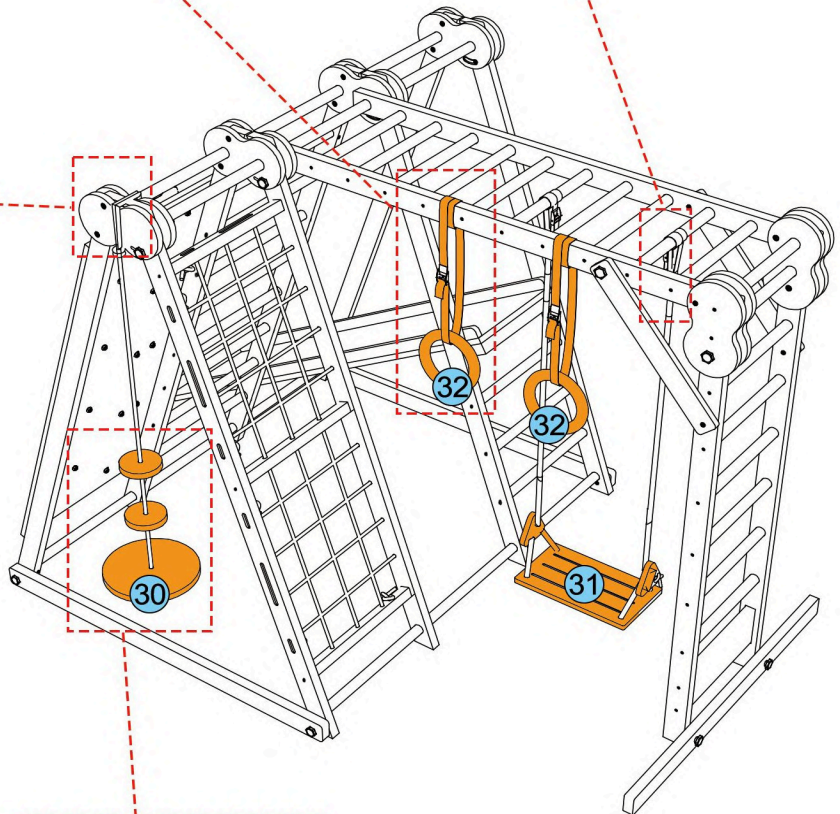
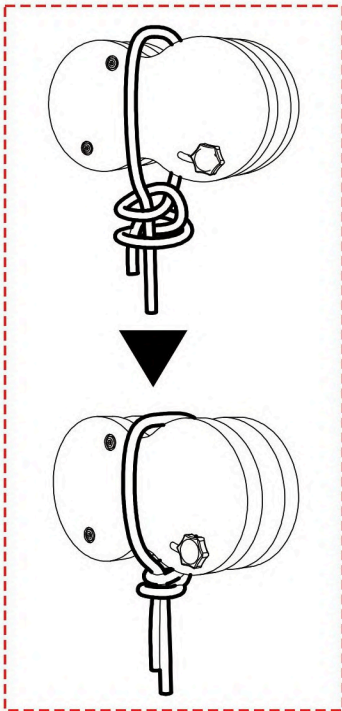
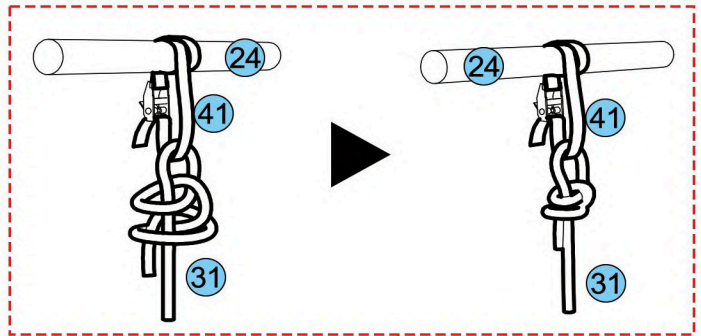
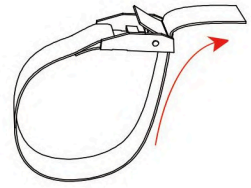
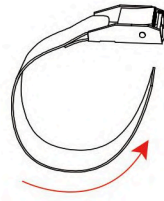
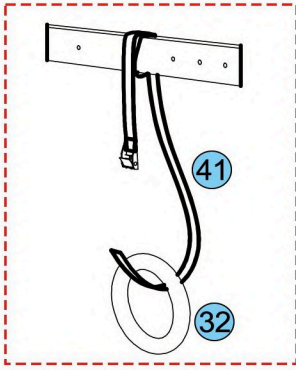
12-3



12-4

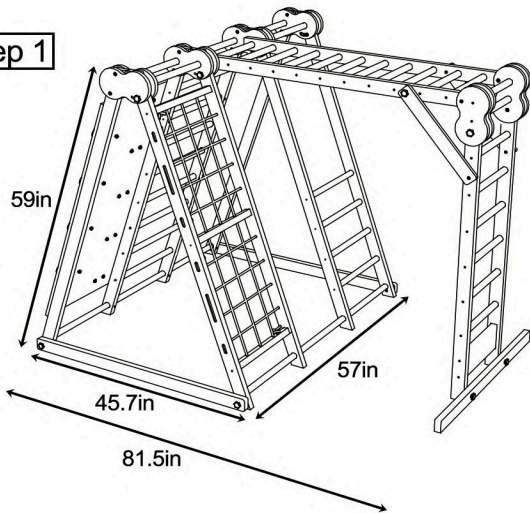


Note: Part 41 must pass from bottom to top as shown by the arrow, or the strap will be easy to pull out



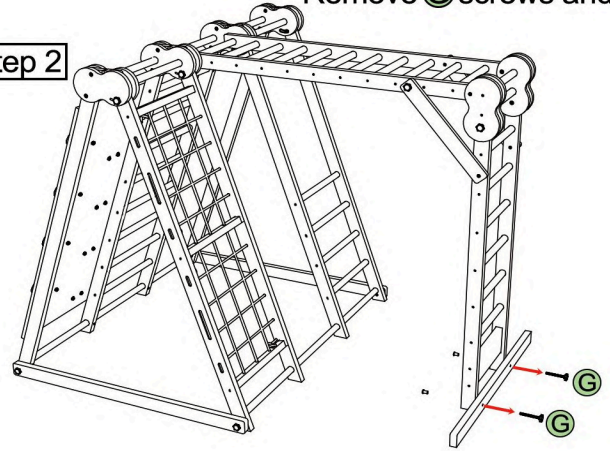
Folding steps

Step 1

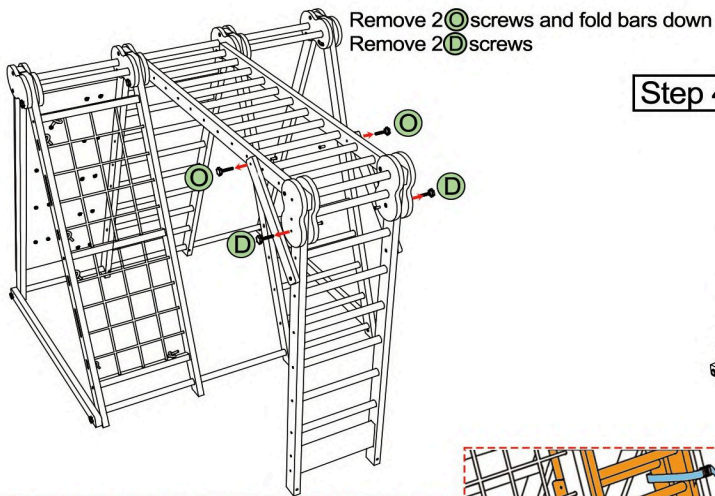


Remove **G** screws and bar

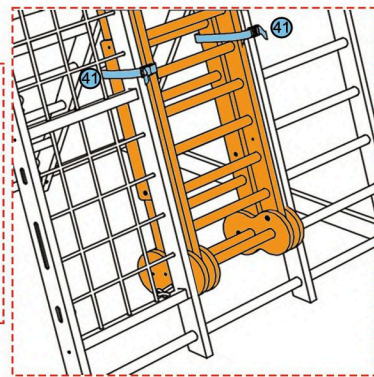
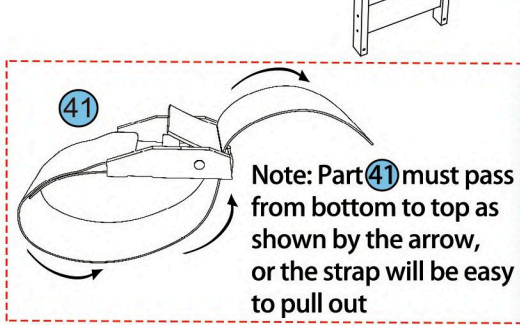
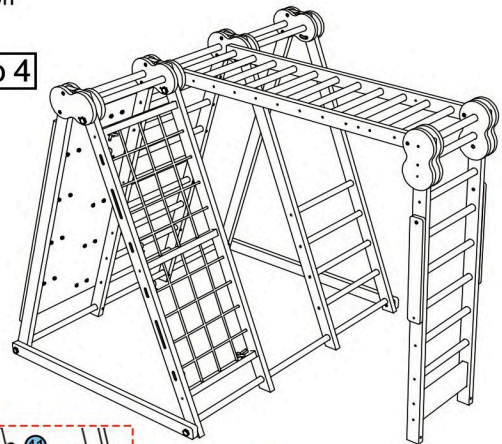
Step 2



Step 3

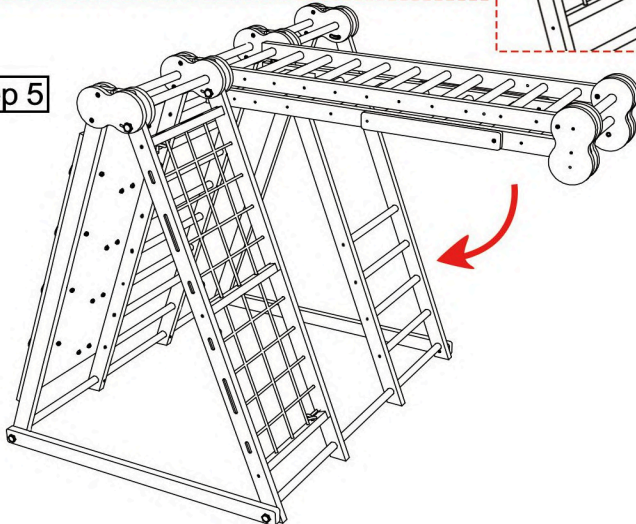


Step 4

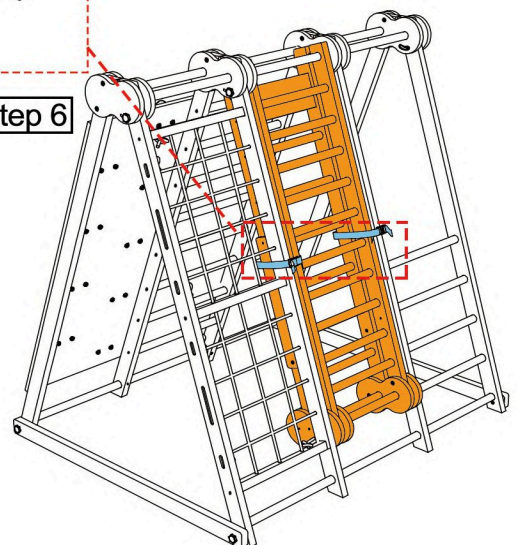


Note: Part **41** is tied above the sixth part **24** from bottom to top. On the left side, use part **41** to tie four parts (part **34**, **10**, **11** & **6**) together; on the right side, use another part **41** to tie four parts (part **34**, **9**, **11** & **7**) together as shown

Step 5



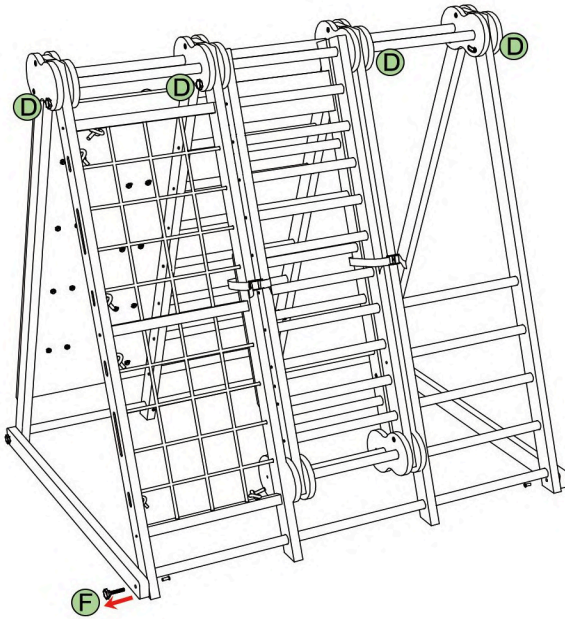
Step 6



Folding steps

Note: Check all connections and bolts for tightness at least twice monthly during use. Do not use if screws are loose.

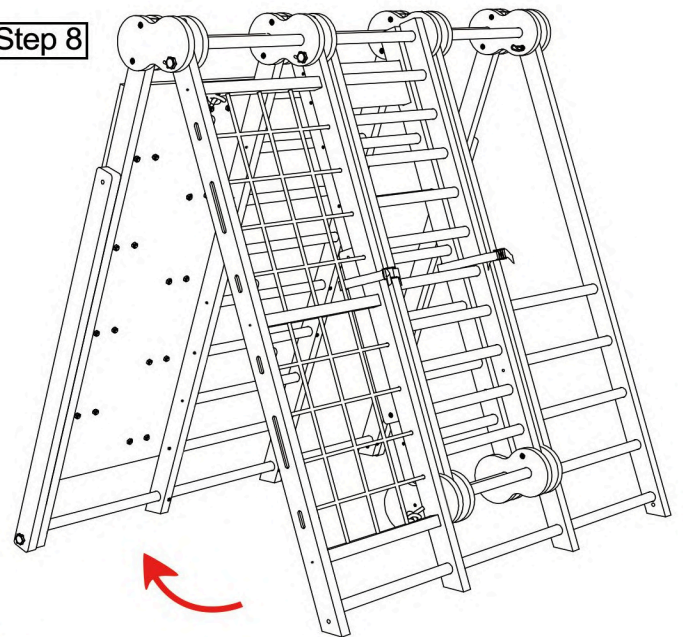
Step 7



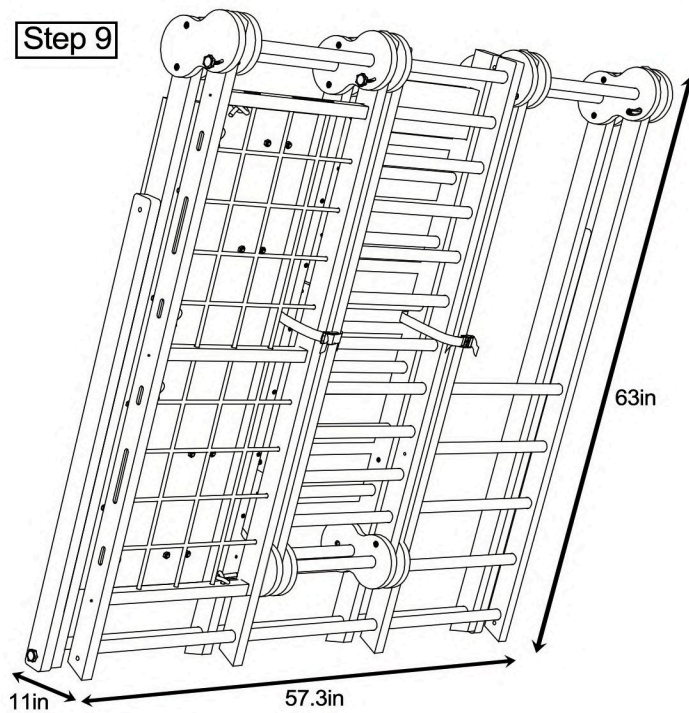
Loosen four screws **D** here this step.

Remove two **F** screws and fold bars up

Step 8



Step 9





55

14.3in