

# avenlur

## Chestnut-Med by Avenlur



### Need Help?

CALL US AT 888.697.3931 / M-F 9AM - 5PM PT (12PM - -8PM ET)  
OR EMAIL US AT [INFO@AVENLUR.COM](mailto:INFO@AVENLUR.COM)

OBSERVE ALL STATEMENTS AND WARNINGS TO REDUCE THE LIKELIHOOD OF SERIOUS OR FATAL INJURY.  
SAVE THIS SHEET FOR FUTURE REFERENCE.

### **OPERATION INSTRUCTIONS**

1. An adult should always supervise use of this product by children of all ages.
2. Maximum weight per user:
3. Instruct children not to attach items to the playground equipment that are not specifically designed for use with the equipment (examples: ropes, clothesline, pet leashes, cables and chain, etc) as they may cause a strangulation hazard or any other hazard.
4. Never allow children to use the equipment in a manner other than intended.

### **MAINTENANCE INSTRUCTIONS**

1. Inspect the product periodically for loose or damaged components. **Tighten bolts if need.**
2. Check all connections and bolts for tightness at least twice monthly during the usage.
3. Check all coverings and bolts for sharp edges.

### **INSTALLATION INSTRUCTIONS**

Please have an electrical drill available for assembly if possible.  
If you have difficulty in installation, please contact us for help and get installation video for reference.

#### **Please Ensure:**

1. You are assembling with at least two people to ensure that all sides and parts are leveled.
2. You don't screw the parts in too hard or it will splinter the wood.
3. You follow the directions carefully.

## **CONTACT US BEFORE ASSEMBLY**

If you have assembly questions or if you need parts  
whether they are missing or damaged

Call us at 888-697-3931 or email us at  
[info@Avenlur.com](mailto:info@Avenlur.com)

**OBSERVAR TODAS LAS DECLARACIONES Y ADVERTENCIAS PARA REDUCIR LA PROBABILIDAD DE LESIONES GRAVES O MORTALES. GUARDE ESTA HOJA PARA FUTURAS REFERENCIAS.**

### **INSTRUCCIONES DE USO**

1. Un adulto siempre debe supervisar el uso de este producto por los niños de todas las edades.
2. Peso máximo por usuario:
3. Indique a los niños que no coloquen elementos en el equipo del patio de recreo que no estén específicamente diseñados para usarse con el equipo (ejemplos: cuerdas, tendedero, correas para mascotas, cables y cadenas, etc.) ya que pueden causar un peligro de estrangulación o cualquier otro peligro.
4. Nunca permita que los niños usen el equipo de una manera distinta a la prevista.

### **INSTRUCCIONES DE MANTENIMIENTO**

1. Inspeccione el producto periódicamente para detectar componentes sueltos o dañados. Apriete los pernos si es neces.
2. Compruebe la estanqueidad de todas las conexiones y pernos al menos dos veces al mes durante el uso.
3. Compruebe todos los cubrimientos y los pernos para los bordes agudos.

### **INSTRUCCIONES DE INSTALACIÓN**

Tenga un taladro eléctrico disponible para el montaje si es posible.

Si usted tiene dificultad en la instalación, por favor póngase en contacto con nosotros para obtener ayuda y obtener video de instalación para referencia.

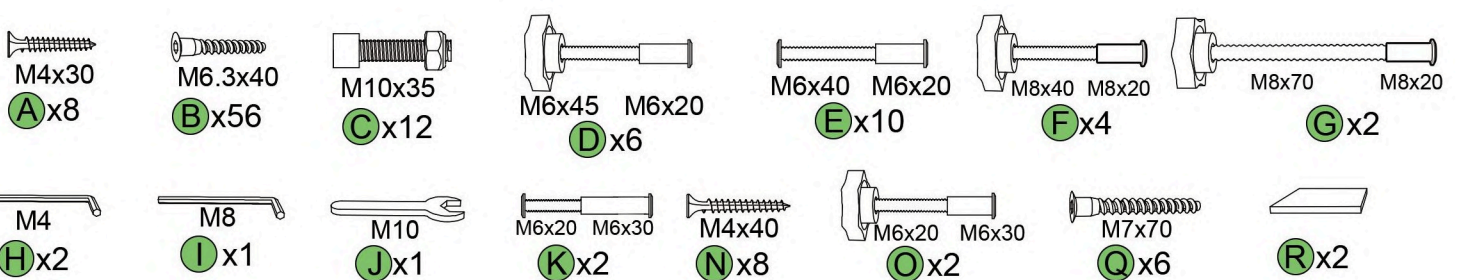
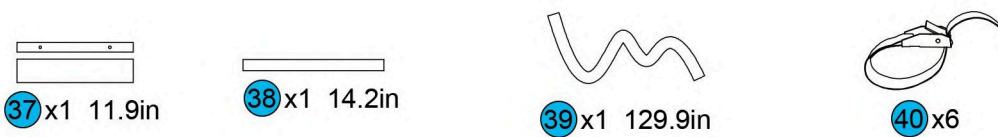
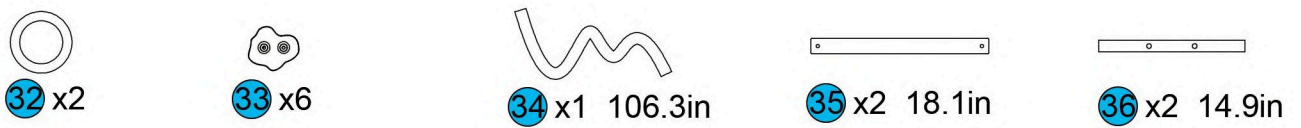
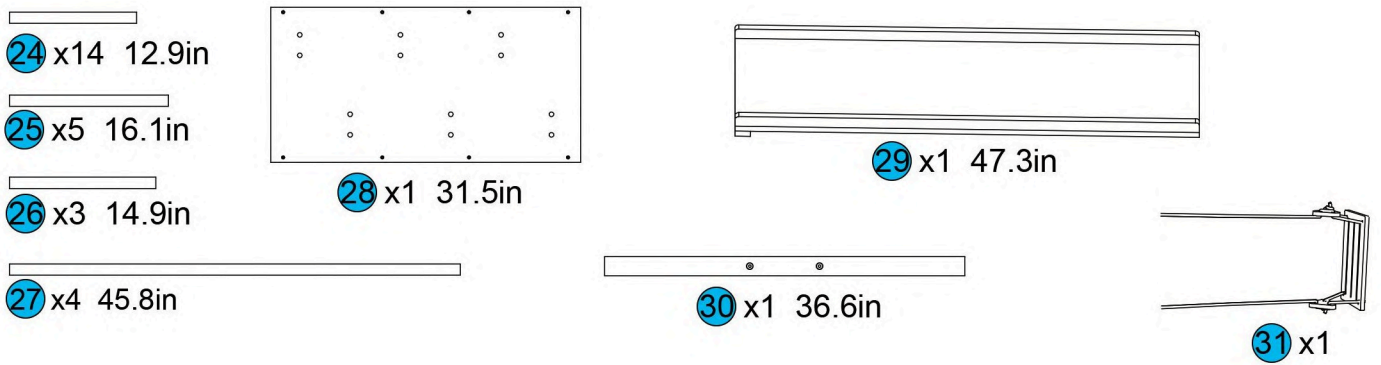
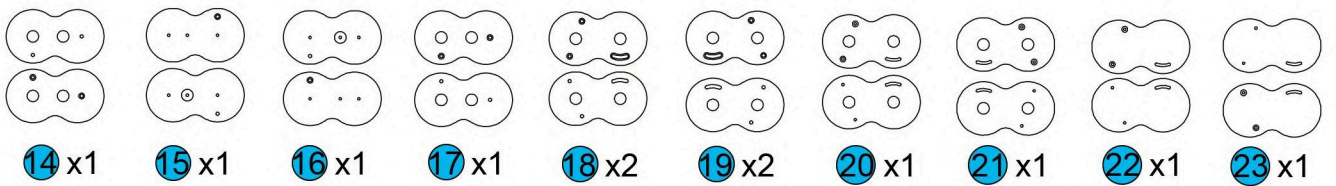
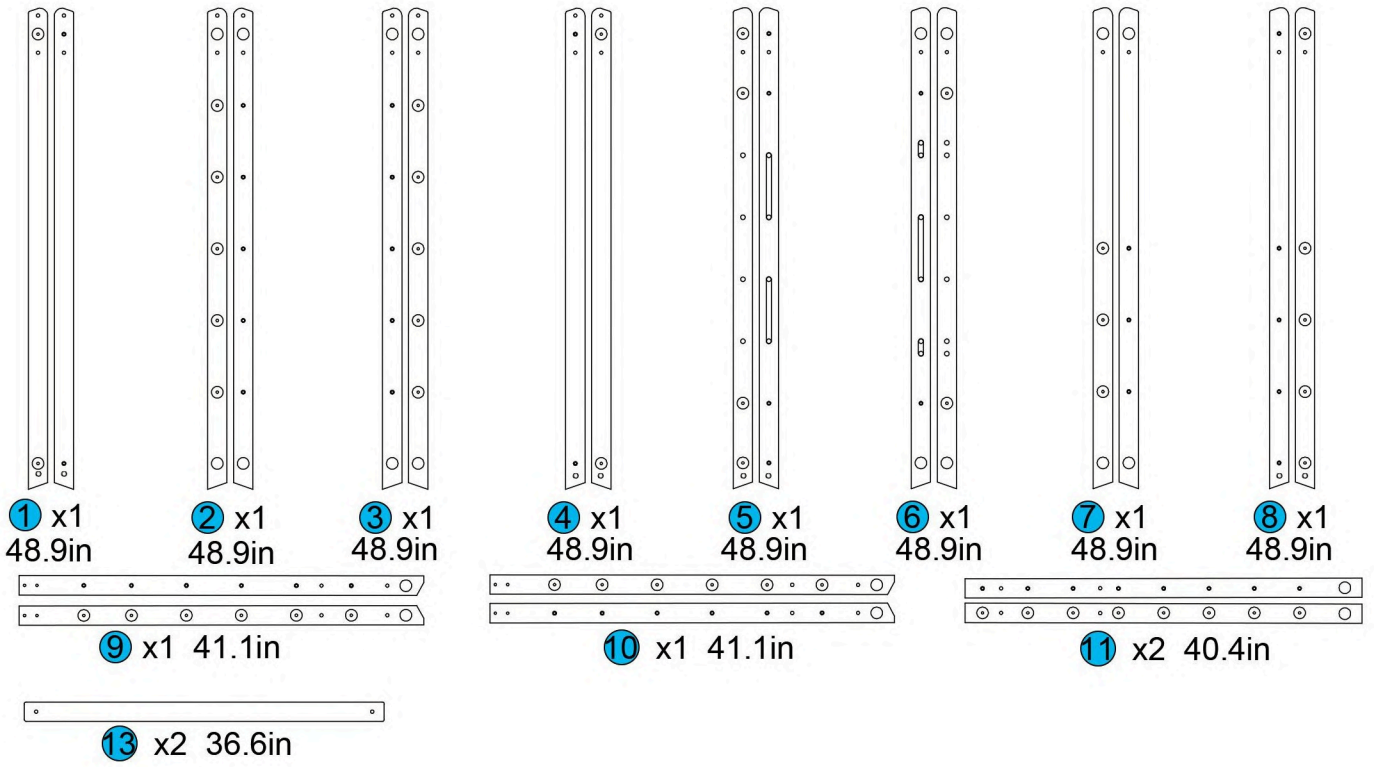
#### **Asegúrese de:**

1. Usted está asmebling con al menos dos personas para asegurarse de que todos los lados y partes están nivelados.
2. Usted no atornillas las piezas en demasiado duro o se astillará la madera.
3. Siga las instrucciones cuidadosamente.

## **CONTACTENOS ANTES DE ENSAMBLAR**

Si usted tiene preguntas de ensamblaje o necesita partes,  
le faltan piezas o estan dañadas.

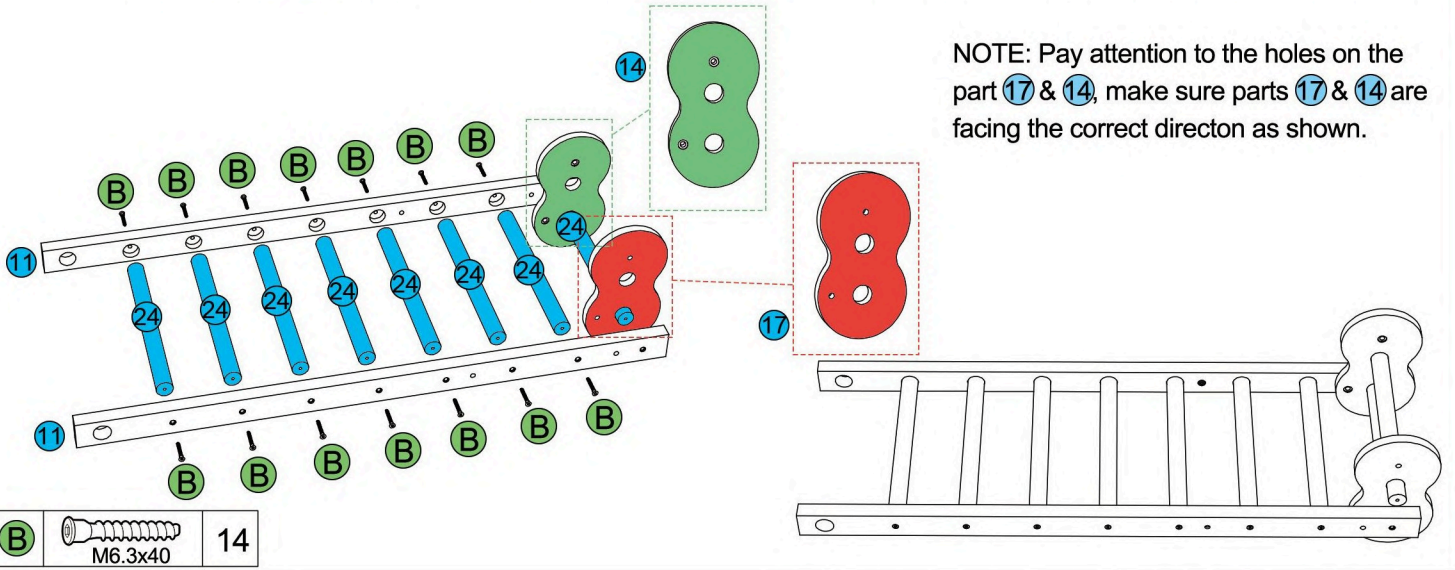
Lamenos al 888-697-3931 or escribanos a  
[info@avenlur.com](mailto:info@avenlur.com)



Important Tips:

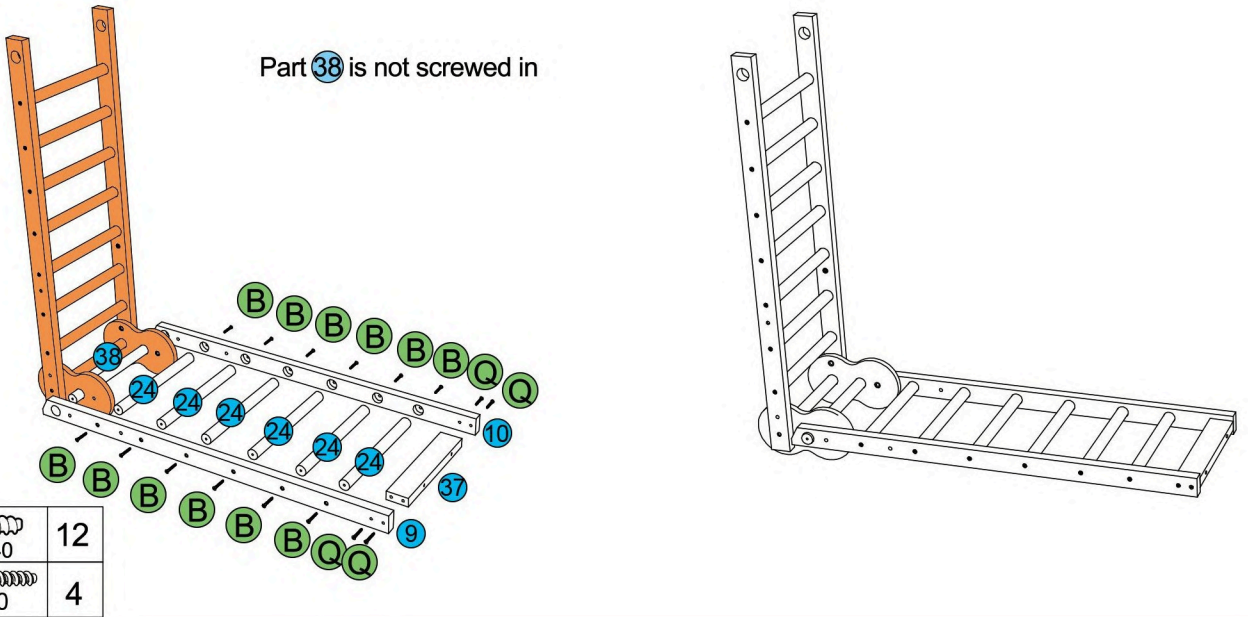
01-1

- Pay attention to the black bubbled section markers, as the manual will refer to them later.
- After securing **B** screws, you should MANUALLY tighten them with the hex wrench, or the dimensions could be off.



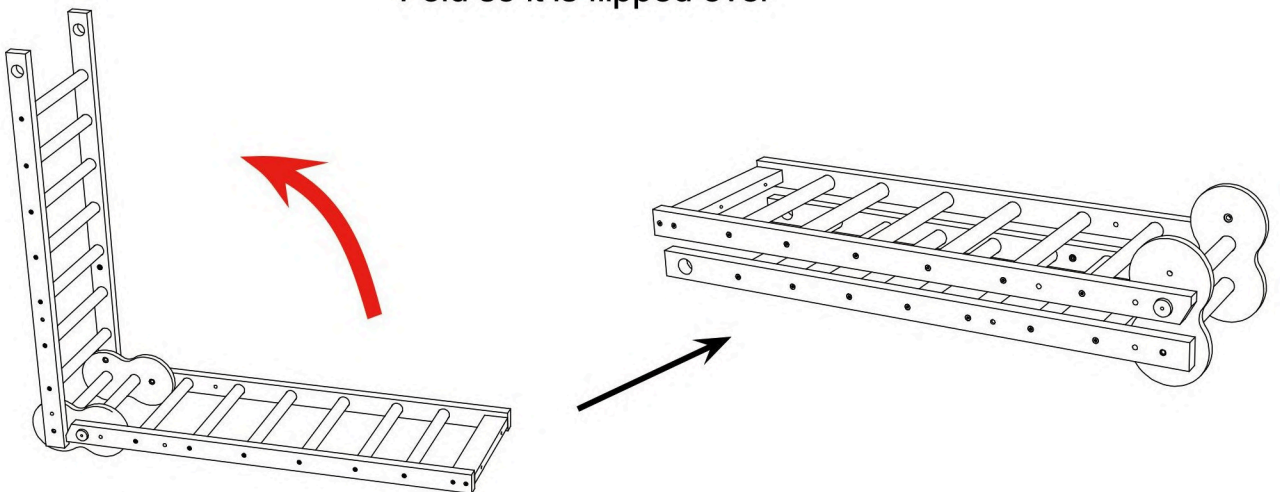
01-2

Part 38 is not screwed in



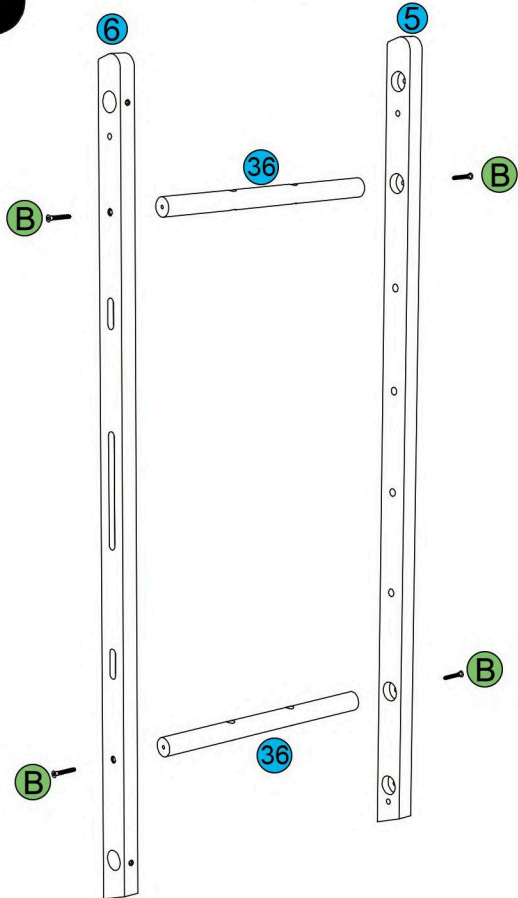
01-3

Fold so it is flipped over



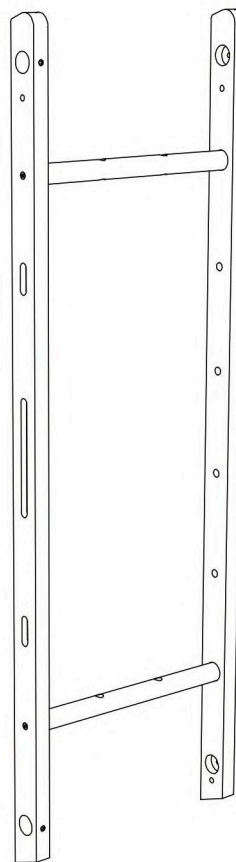
02-1

Make sure the holes on 36 are facing upward

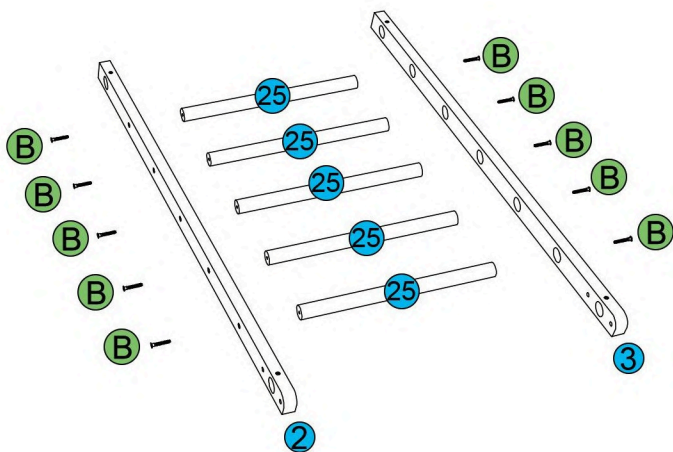


<b>B</b>		4
	M6.3x40	

02-2

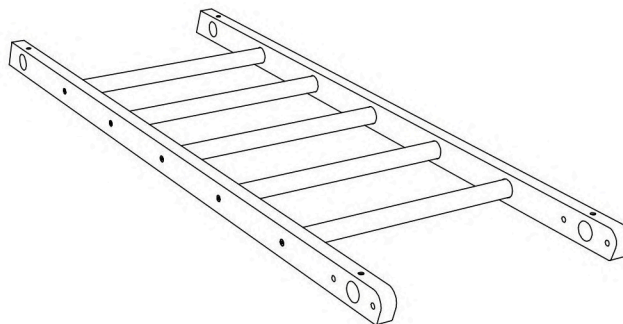


03-1



<b>B</b>		10
	M6.3x40	

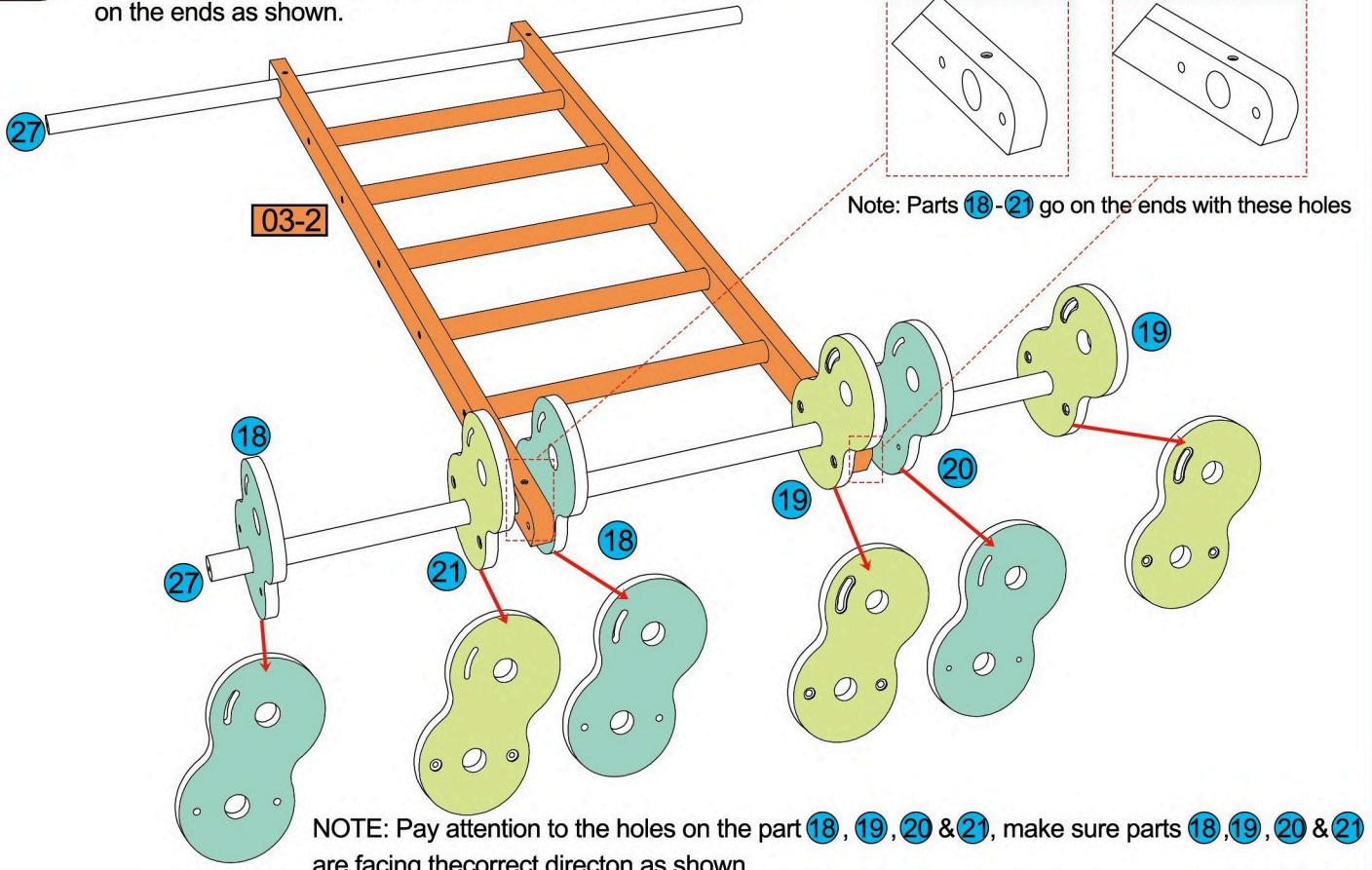
03-2



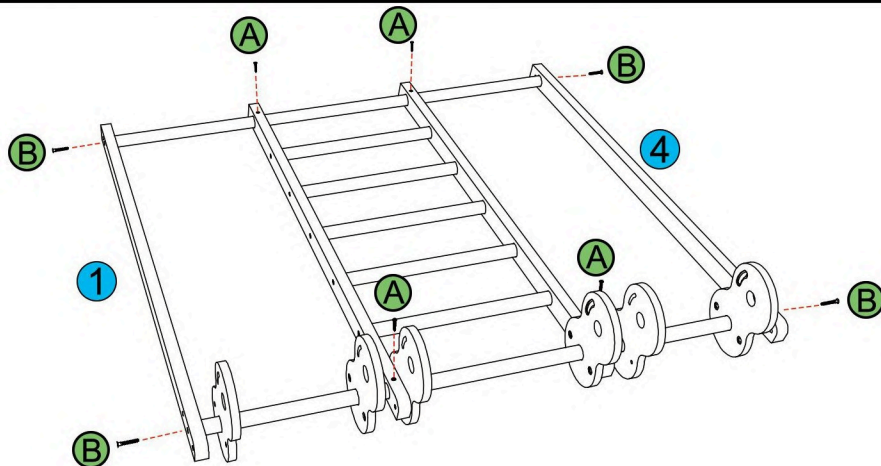
# 04-1



Note:

1. Slide bar 27 through one beam then add the middle parts of 18 and 19
2. Slide 27 through the other beam and add the other 4 parts on the ends as shown.

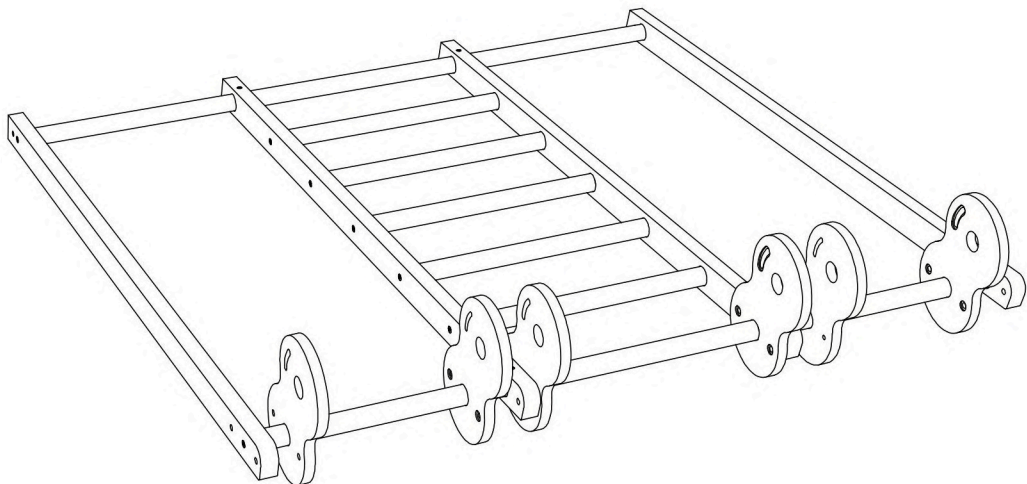


# 04-2



A	 M4x30	4
B	 M6.3x40	4

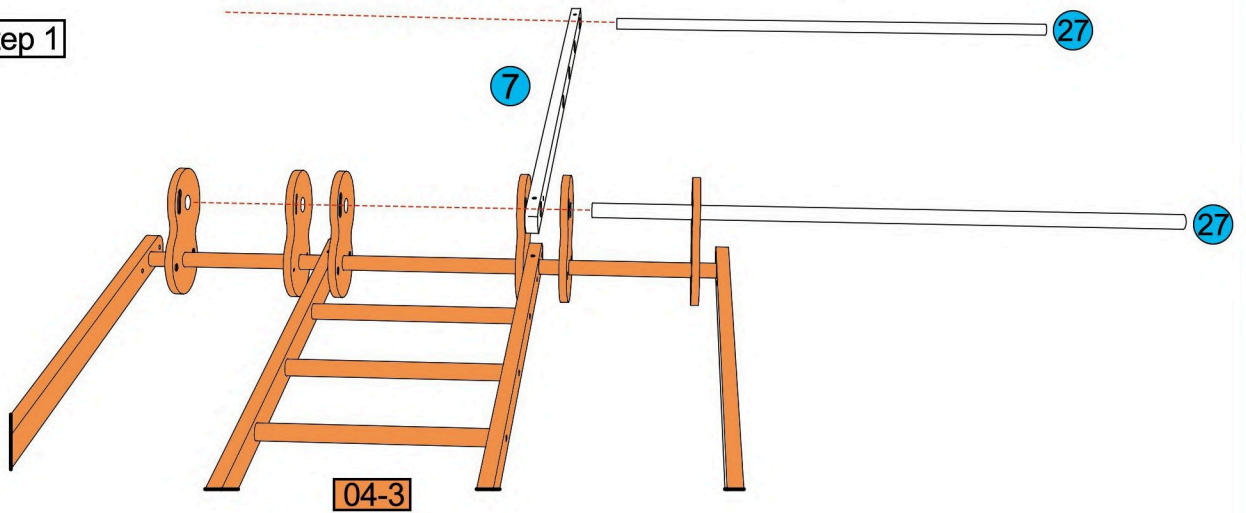
# 04-3



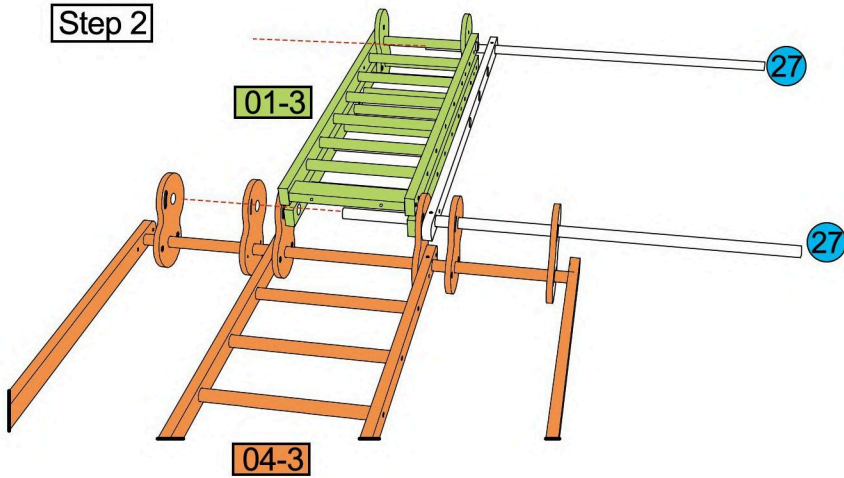
05-1

Note: Add section 01-3 and 02-2 by sliding parts 27 through the holes as shown

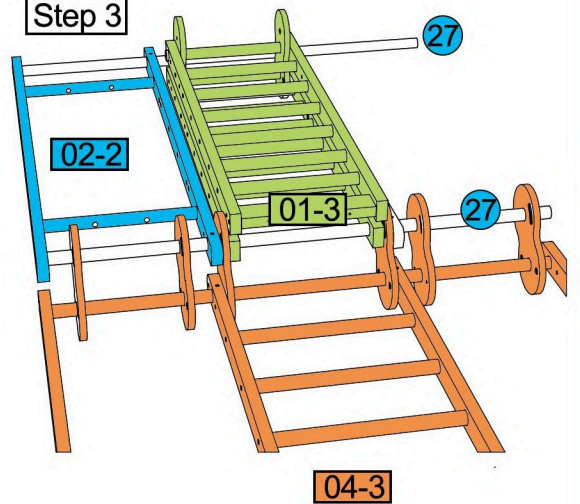
Step 1



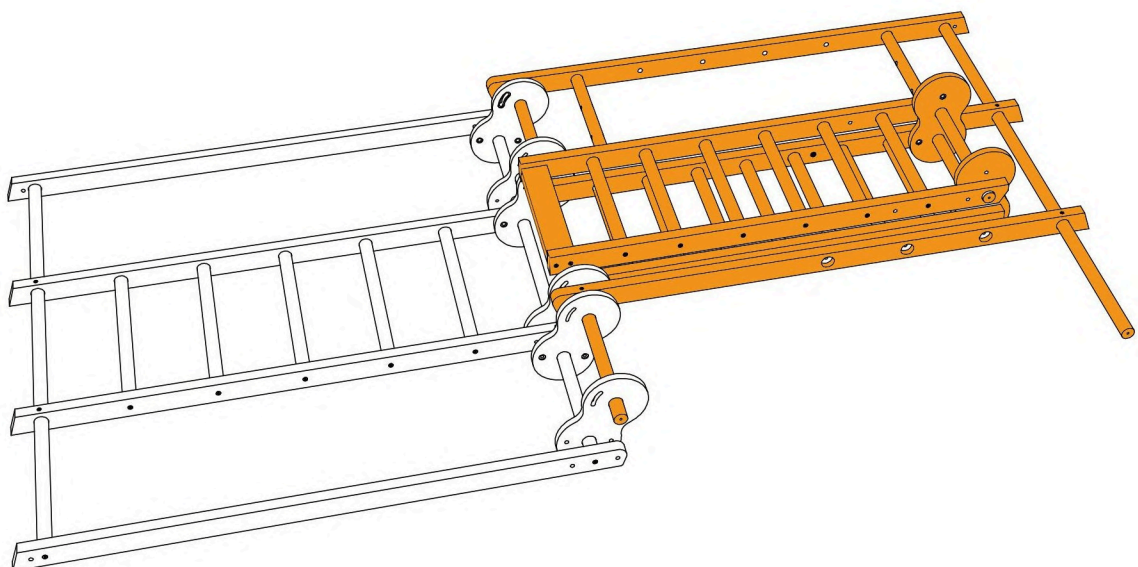
Step 2



Step 3



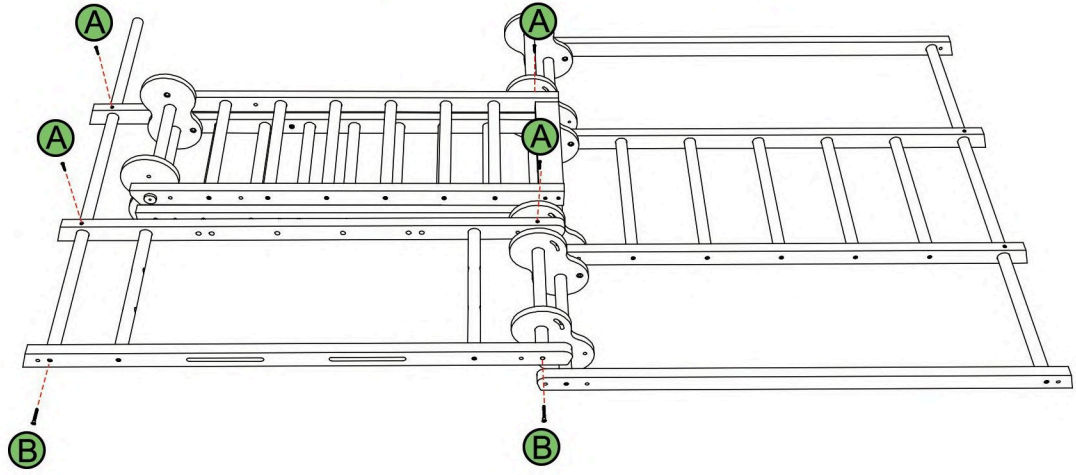
05-2

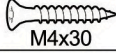
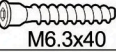




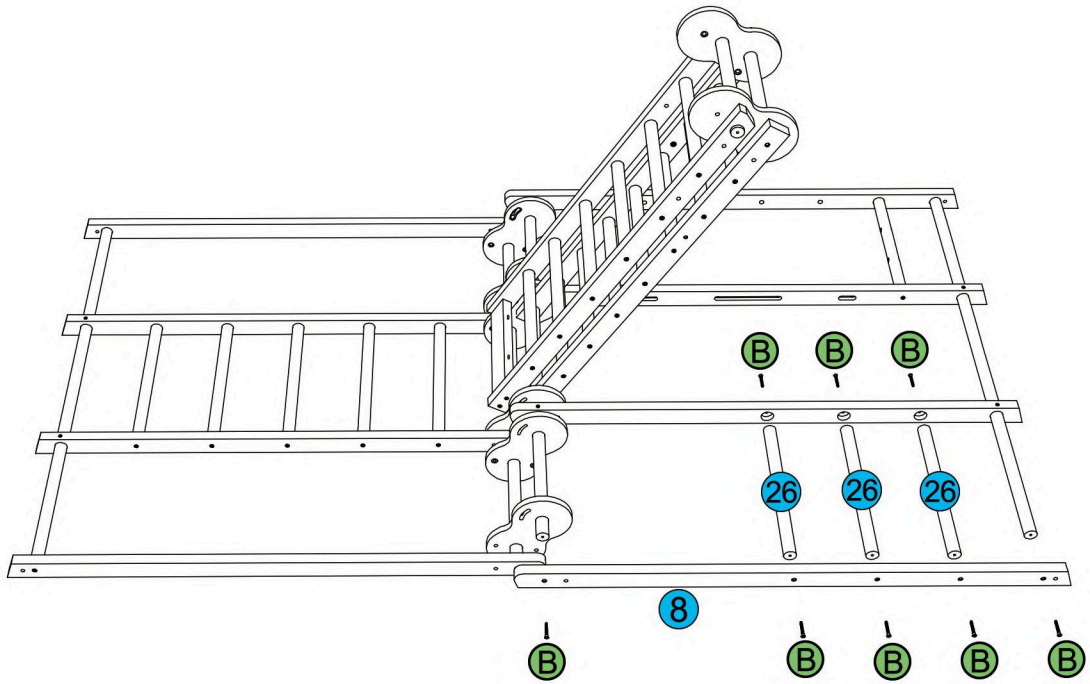
05-3

Secure both bars 27 to the beams with screw A and B



A		4
B		2

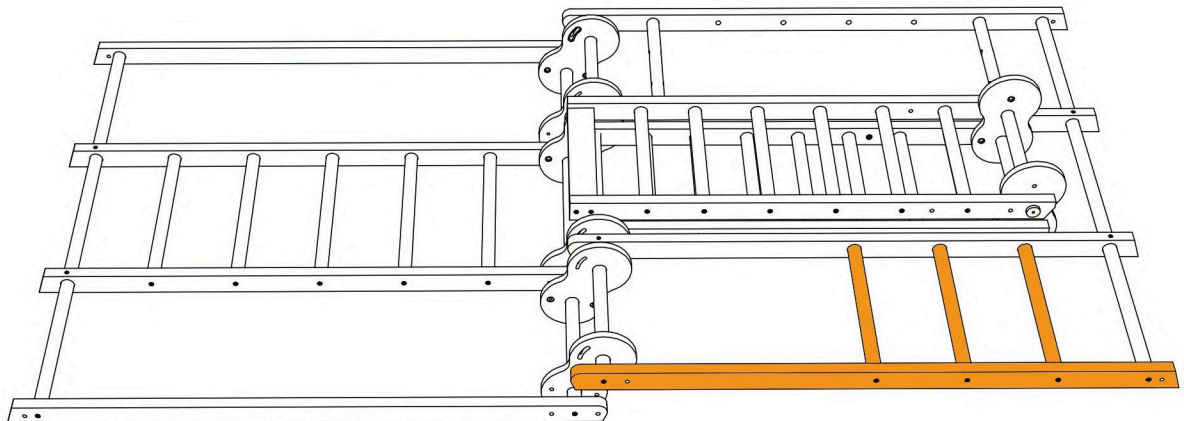
06-1



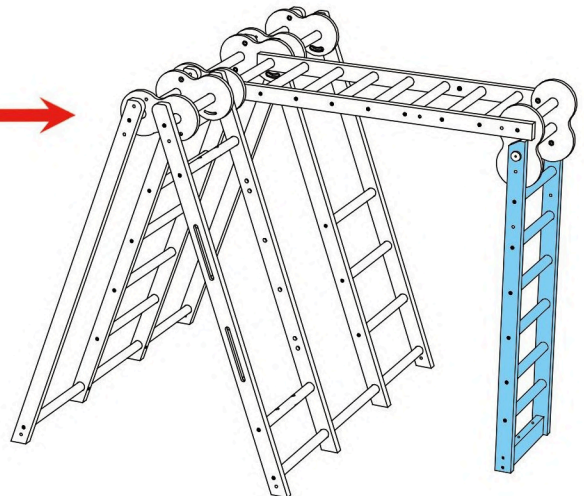
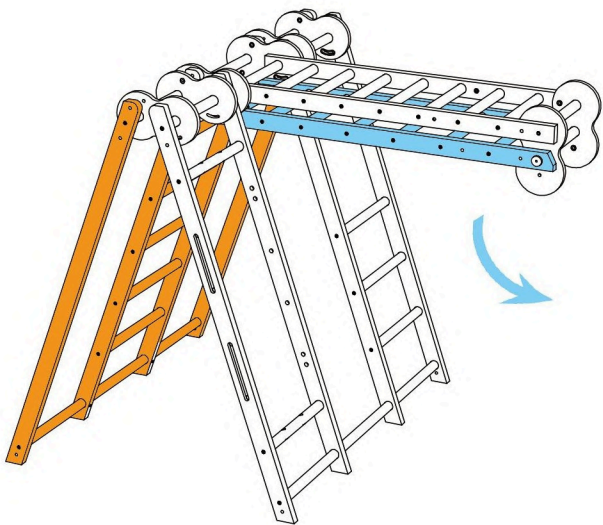
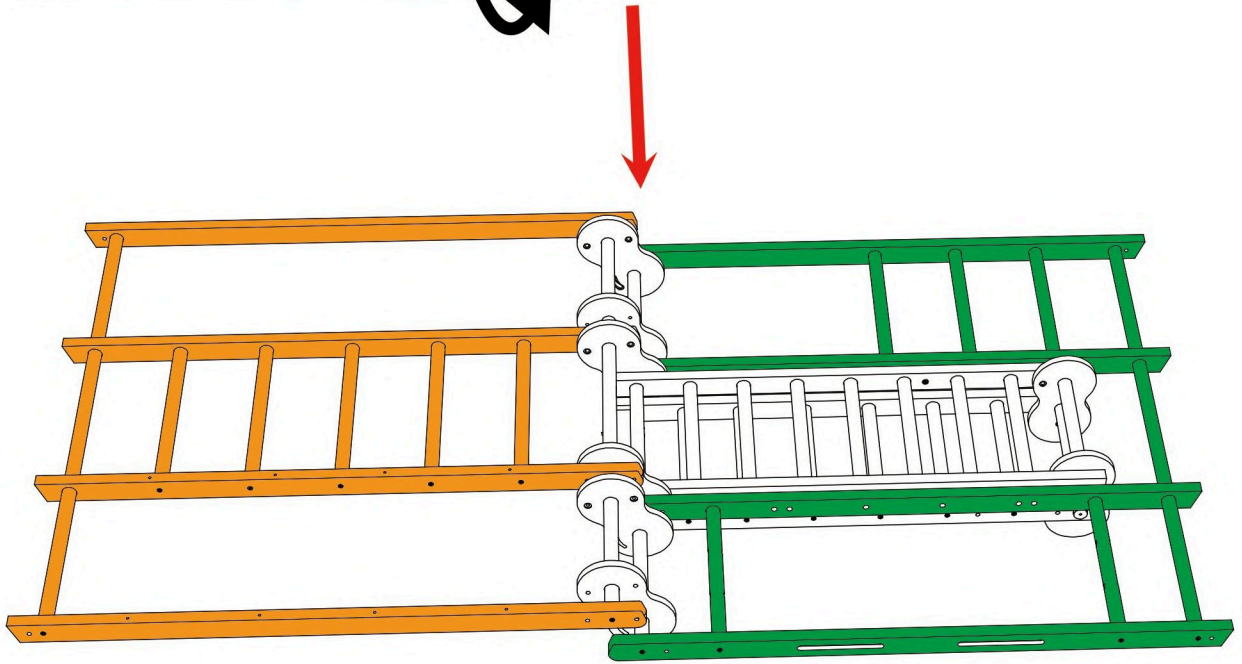
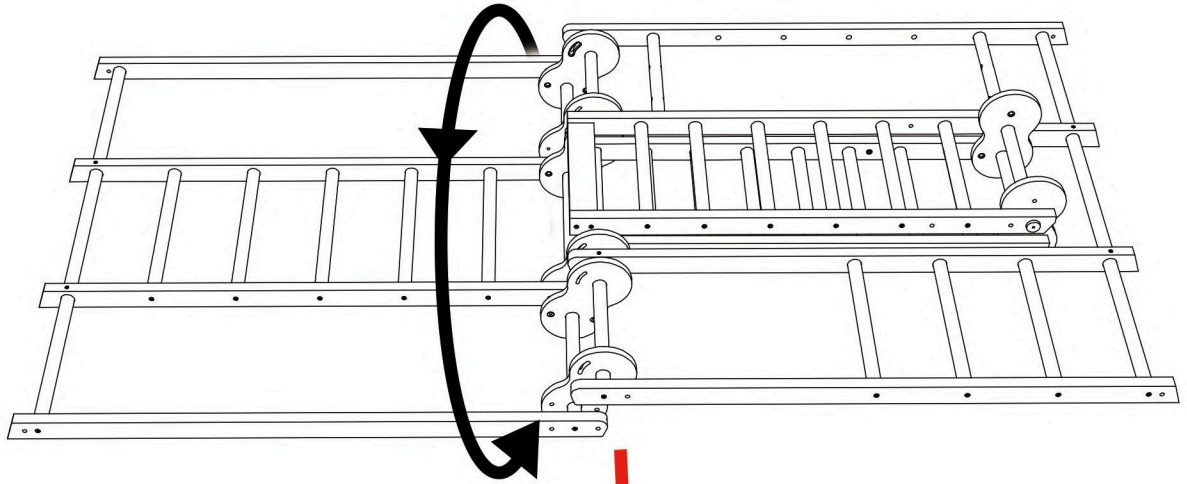
B		8
---	---	---

If using an electric screwdriver, tighten B screws manually afterwards

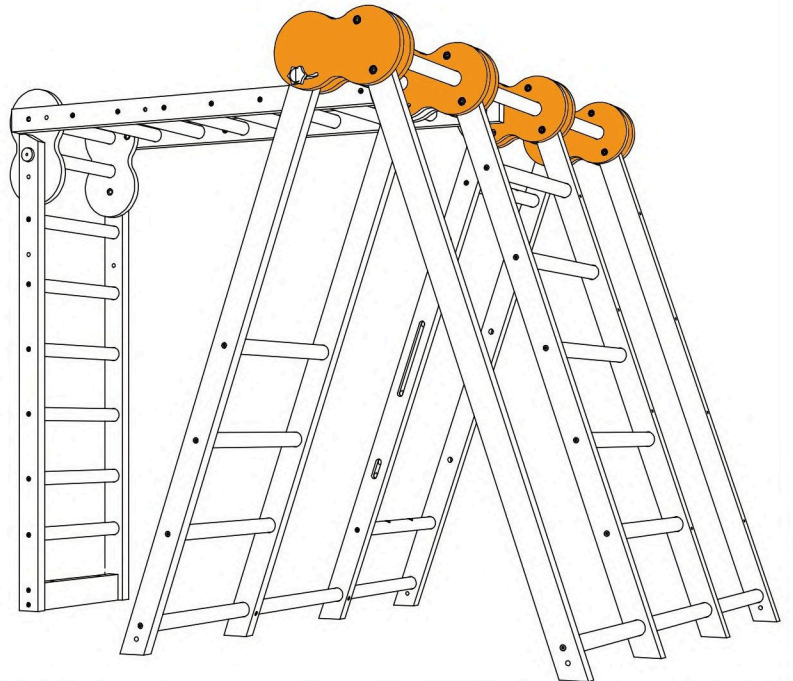
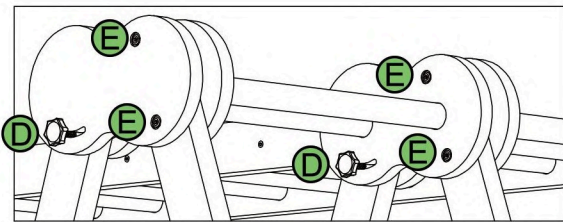
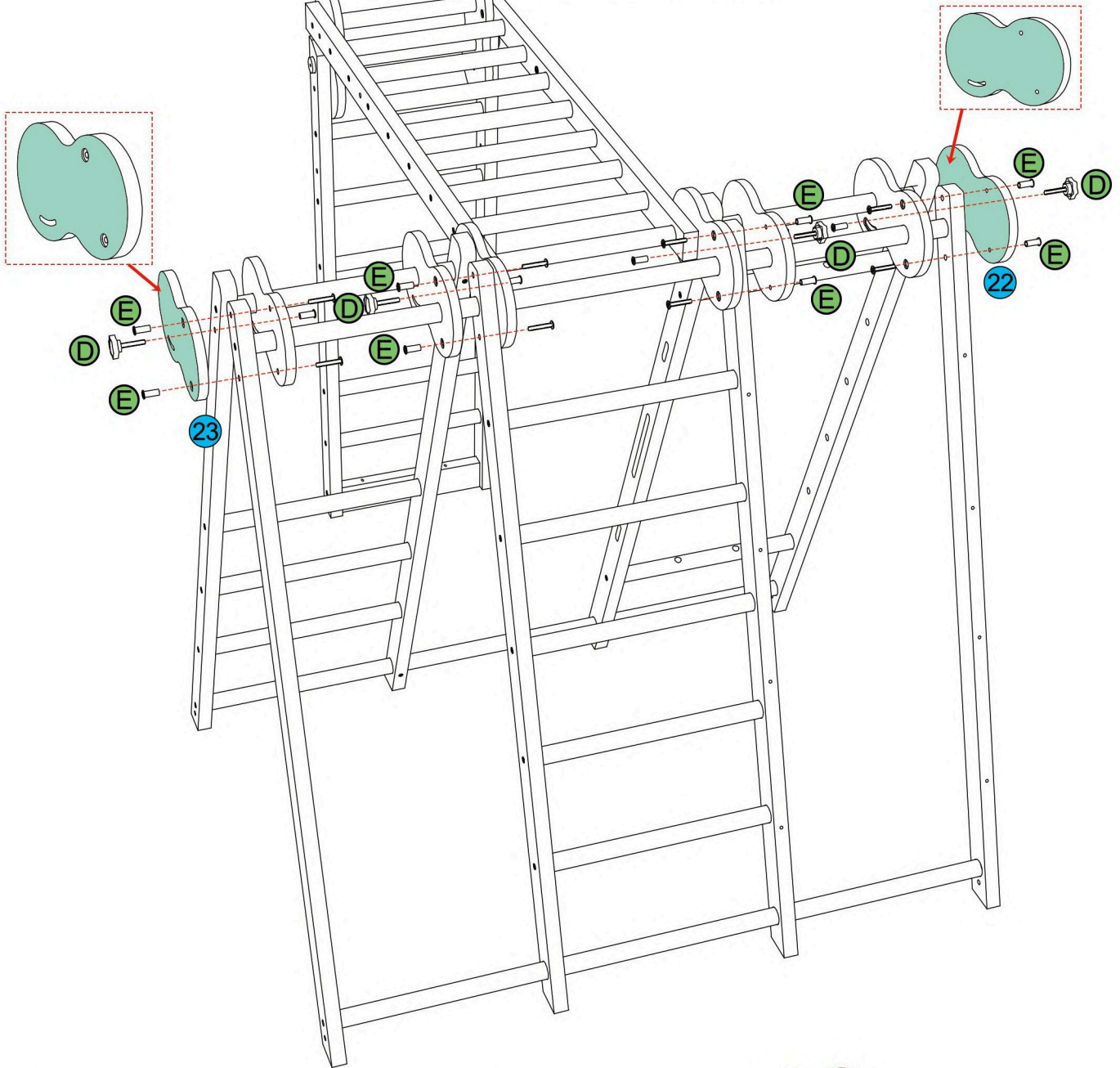
06-2

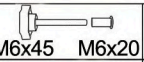
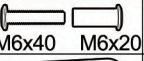



07-1

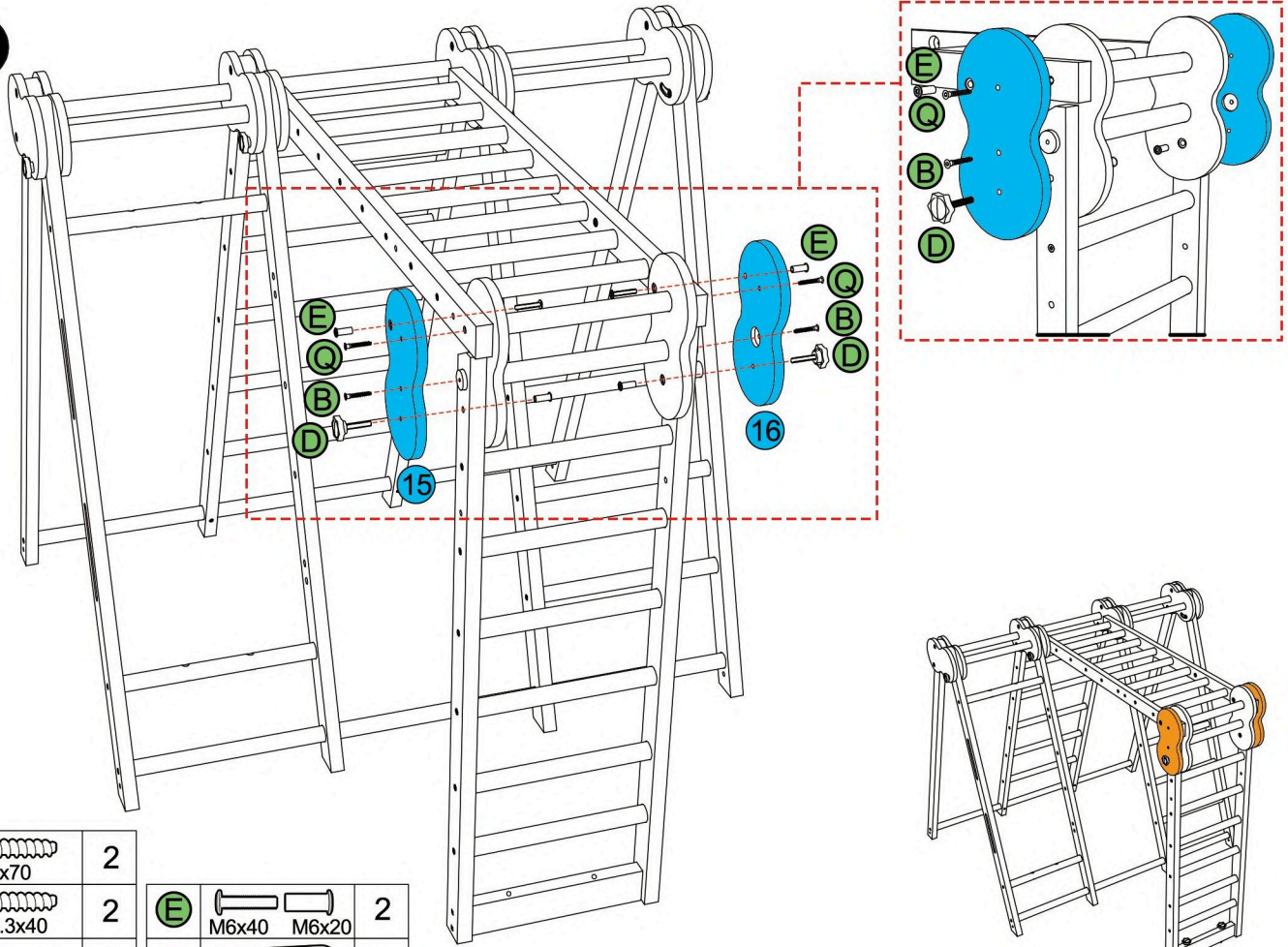


NOTE: Pay attention to the holes on the part 22 & 23, make sure parts 22 & 23 are facing the correct direction as shown.



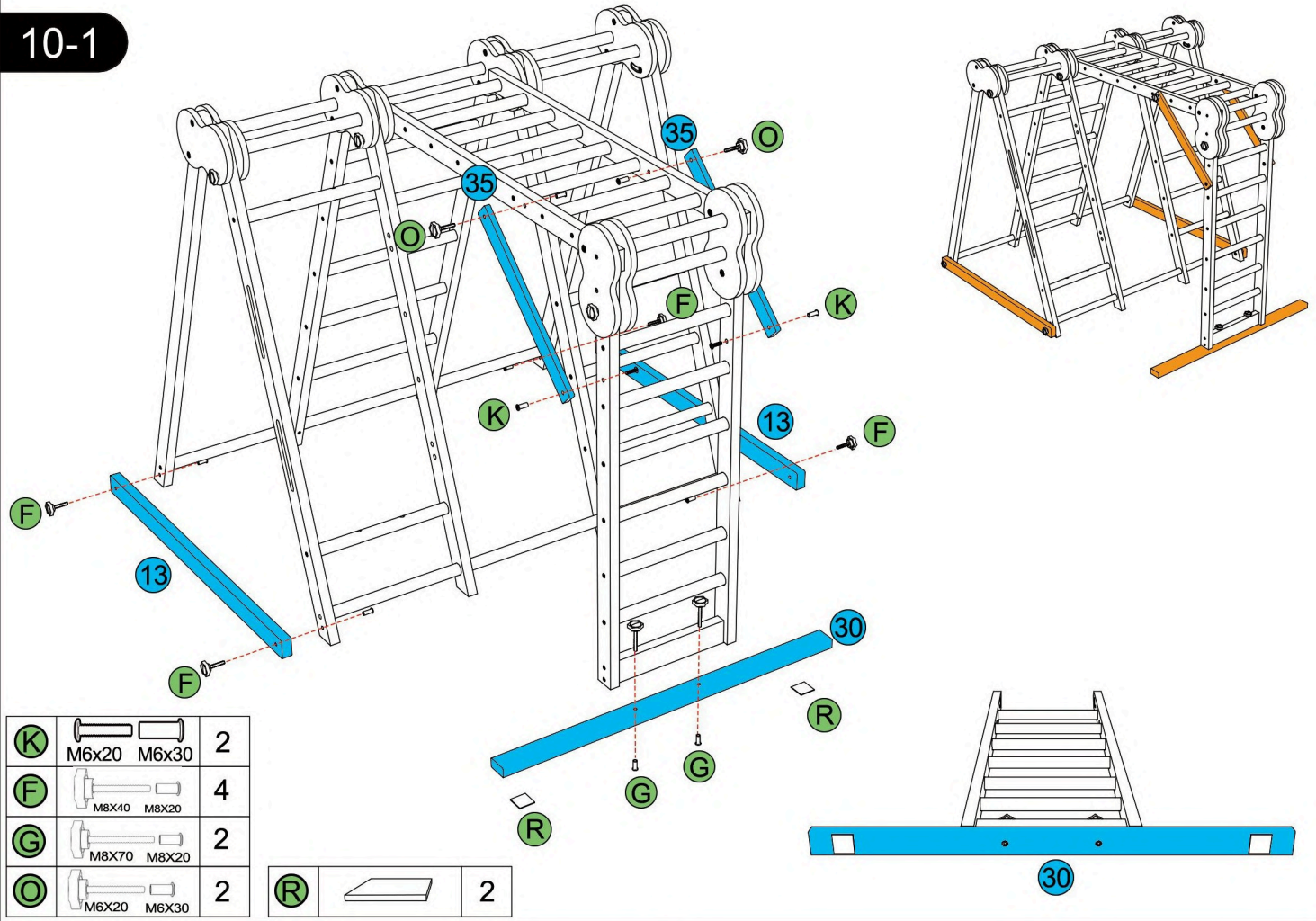
<b>D</b>		4
<b>E</b>		8
<b>H</b>		2

09-1



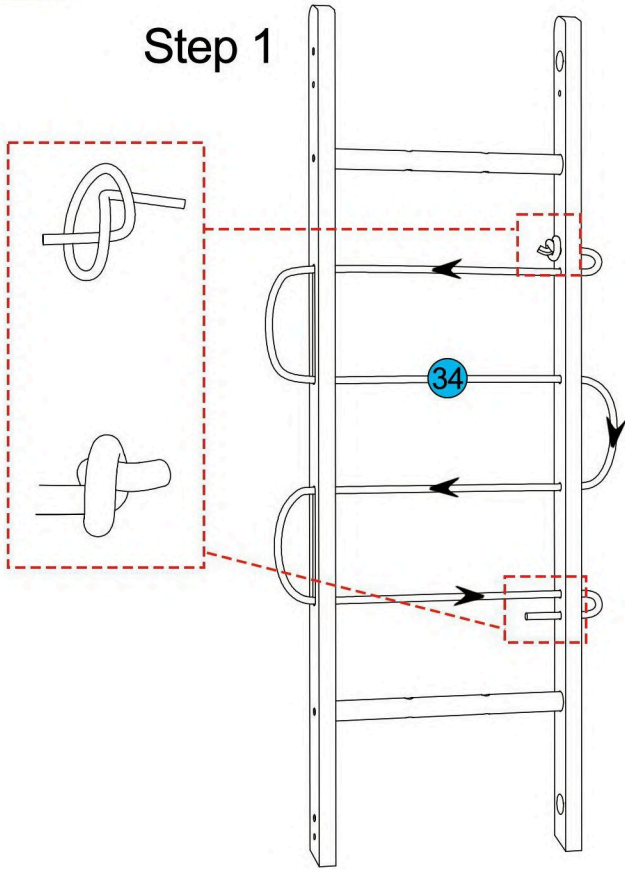
<b>Q</b>	M7x70	2	<b>E</b>	M6x40	2
<b>B</b>	M6.3x40	2	<b>H</b>	M4	2
<b>D</b>	M6x45	2			

10-1

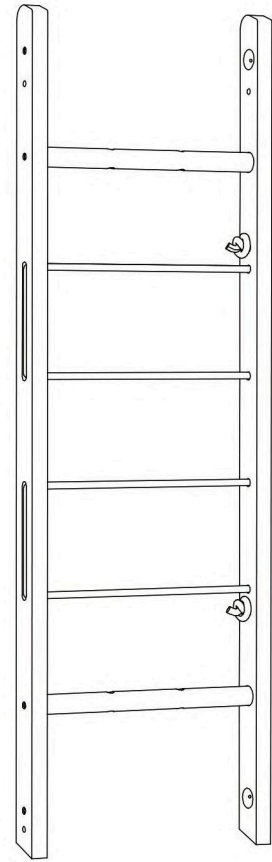


<b>K</b>	M6x20	2	<b>R</b>		2
<b>F</b>	M8x40	4			
<b>G</b>	M8x70	2			
<b>O</b>	M6x20	2			

Step 1

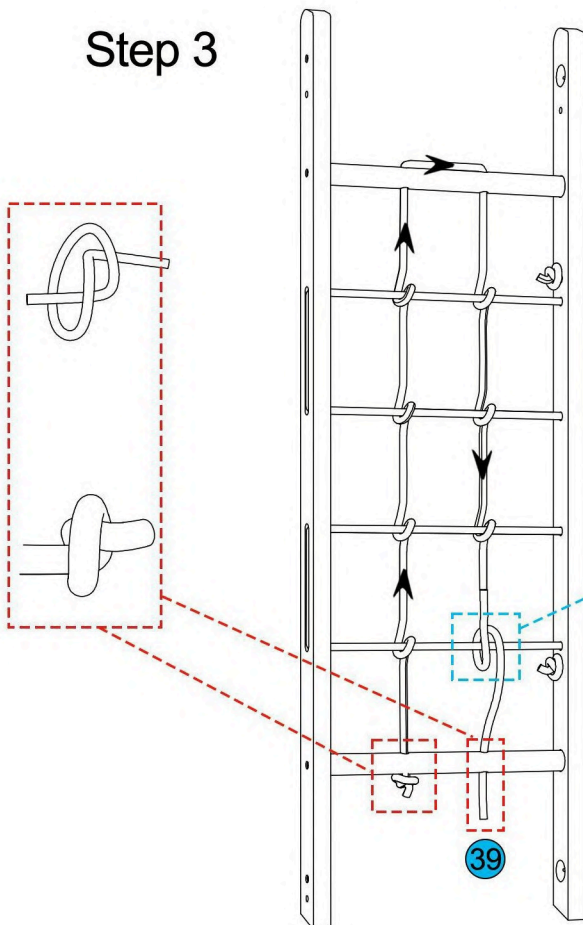


Step 2

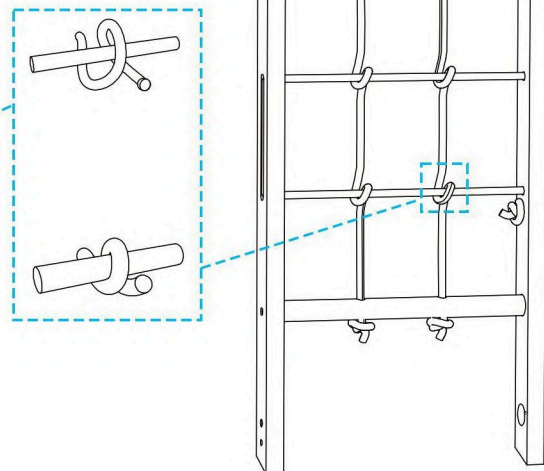


Note: The vertical rope will wrap once around each horizontal rope on each pass.  
 The vertical rope goes through the holes of the middle horizontal bar

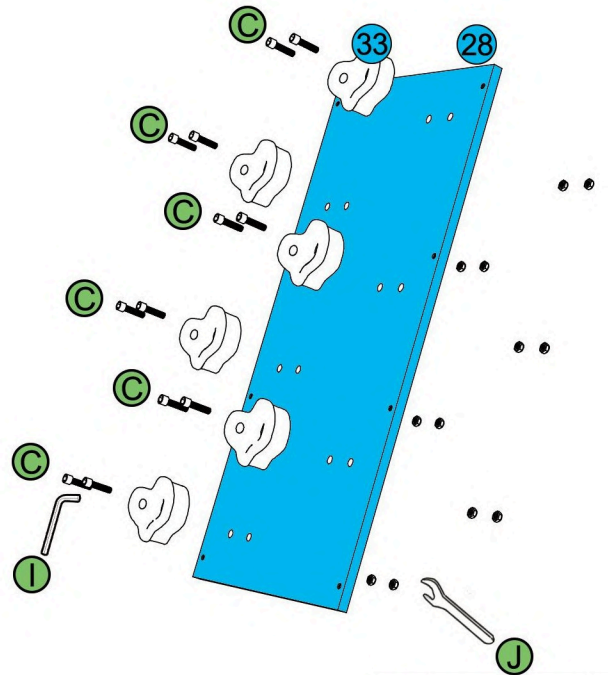
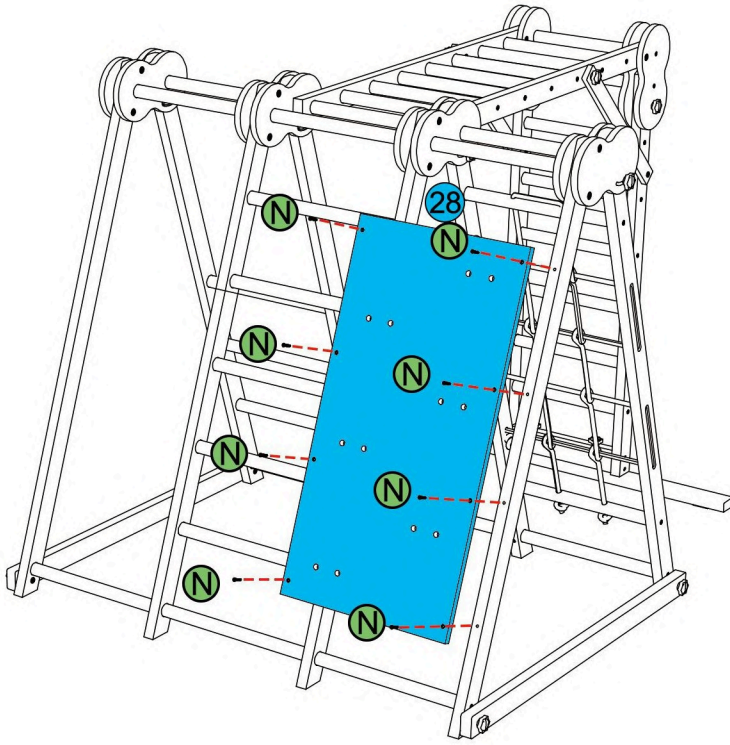
Step 3

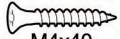



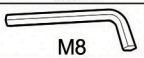

Step 4



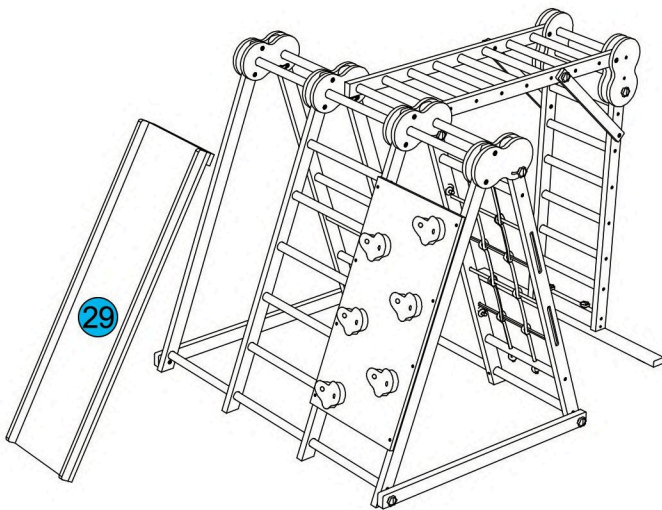
# 12-1



<b>N</b>		M4x40	8
----------	---	-------	---

<b>C</b>		M10x35	12
<b>I</b>		M8	1
<b>J</b>		M10	1

# 12-2

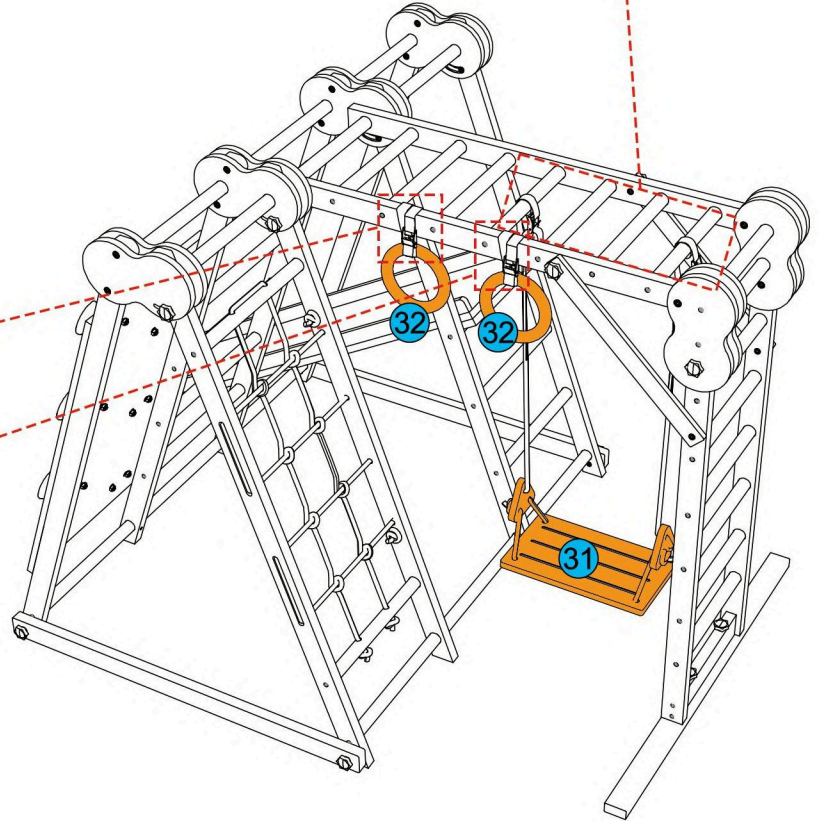
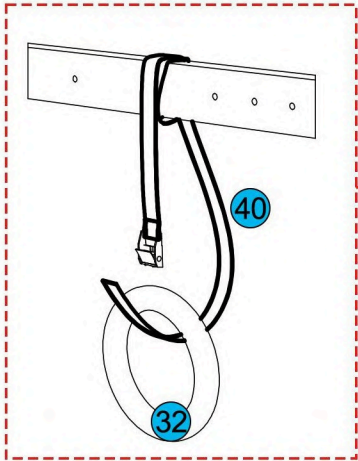
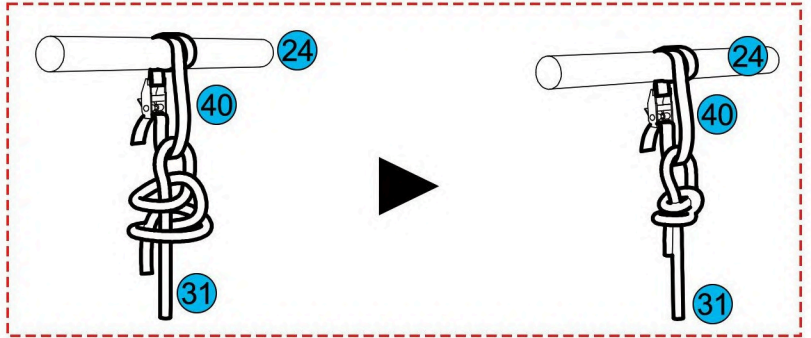
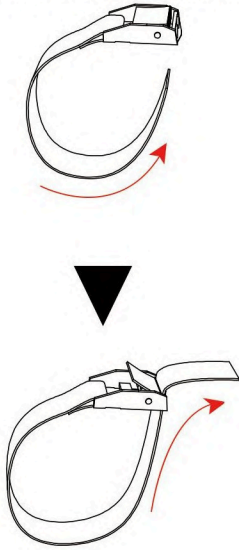


# 12-3



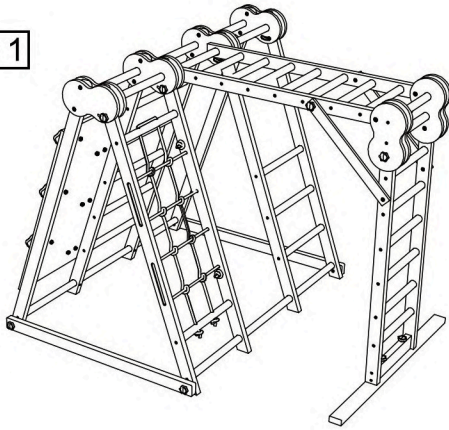
# 13-1

Note: Part 40 must pass from bottom to top as shown by the arrow, or the strap will be easy to pull out



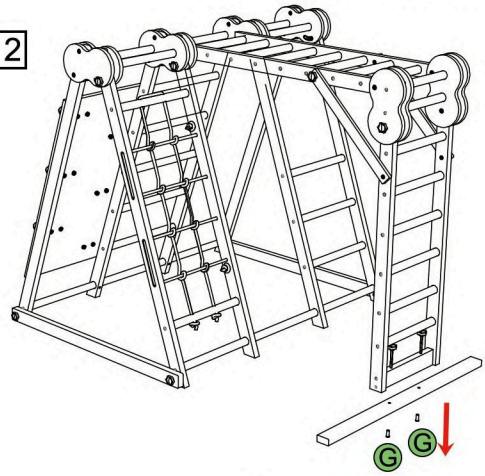
# Folding steps

Step 1

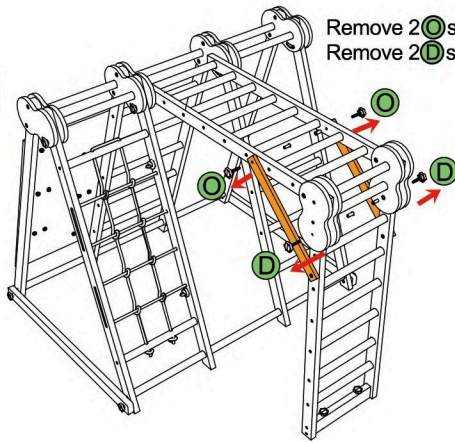


Remove **G** screws and bar

Step 2

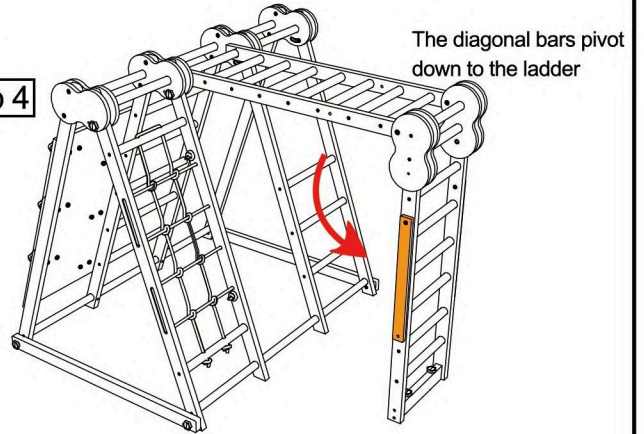


Step 3



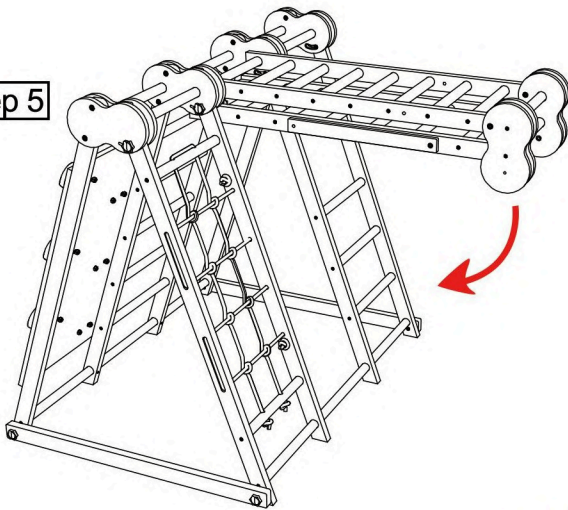
Remove 2 **G** screws and fold bars down  
Remove 2 **D** screws

Step 4

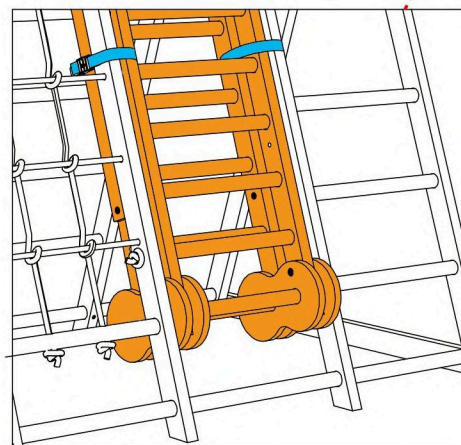
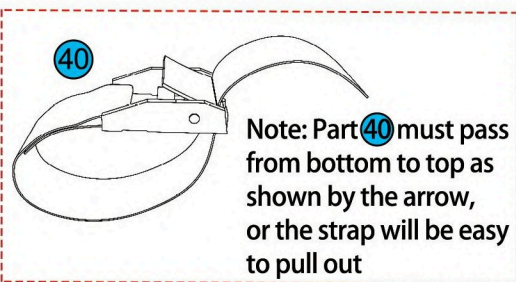
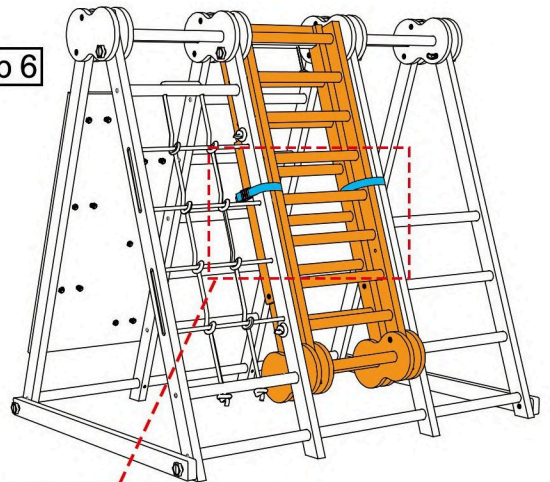


The diagonal bars pivot down to the ladder

Step 5



Step 6



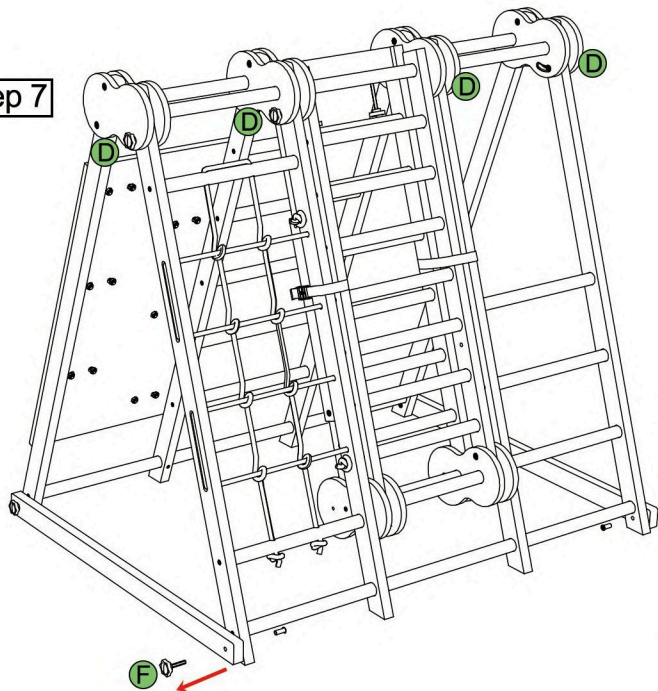
Note: Part **40** is tied above the sixth part **24** from bottom to top. On the left side, use part **40** to tie four parts (part **34**, **10**, **11** & **6**) together; on the right side, use another part **40** to tie four parts (part **34**, **9**, **11** & **7**) together as shown



## Folding steps

Note: Check all connections and bolts for tightness at least twice monthly during use.  
Do not use if screws are loose.

Step 7

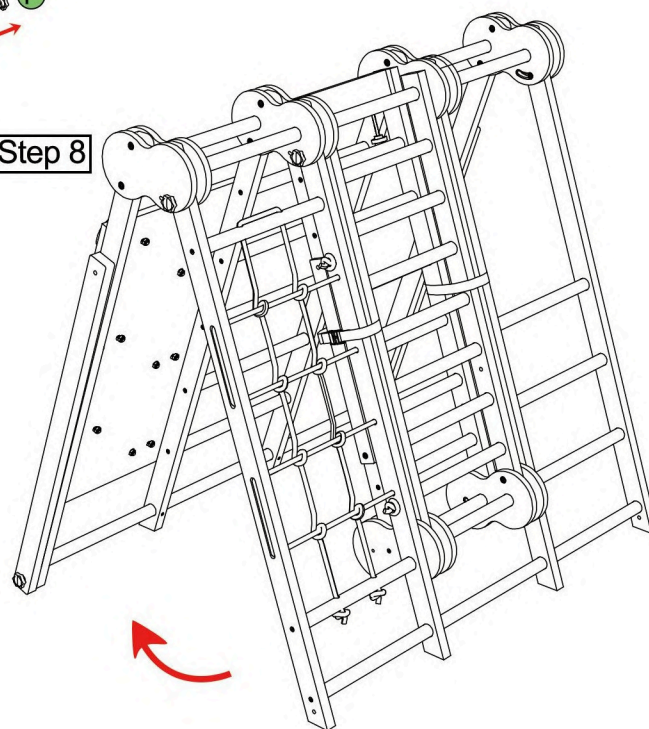


Loosen four screws **D** here this step.

Remove two **F** screws and fold bars up



Step 8



Step 9

