

avenlur

Cordia by Avenlur



Need Help?

CALL US AT 888.697.3931 / M-F 9AM - 5PM PT (12PM - -8PM ET)

OR EMAIL US AT INFO@AVENLUR.COM

v2

⚠ WARNING

Adult assembly required.

⚠ WARNING

Maximum user weight: **88lbs (40kg)** per child

⚠ WARNING

⚠ CHOKING HAZARD:

Adult assembly required. Keep small assembly parts out of reach of children.

⚠ Use under adult supervision

OBSERVE ALL STATEMENTS AND WARNINGS TO REDUCE THE LIKELIHOOD OF SERIOUS OR FATAL INJURY. SAVE THIS SHEET FOR FUTURE REFERENCE.

OPERATION INSTRUCTIONS

1. An adult should always supervise use of this product by children of all ages.
2. Instruct children not to attach items to the playground equipment that are not specifically designed for use with the equipment (examples: ropes, clothesline, pet leashes, cables and chain, etc) as they may cause a strangulation hazard or any other hazard.
3. Never allow children to use the equipment in a manner other than intended.

MAINTENANCE INSTRUCTIONS

1. Inspect the product periodically for loose or damaged components. **Tighten bolts if need.**
2. Check all connections and bolts for tightness at least twice monthly during the usage.
3. Check all coverings and bolts for sharp edges.

INSTALLATION INSTRUCTIONS

Please have an electrical drill available for assembly if possible

If you have difficulty in installation, please contact us for help and get installation video for reference

Please Ensure:

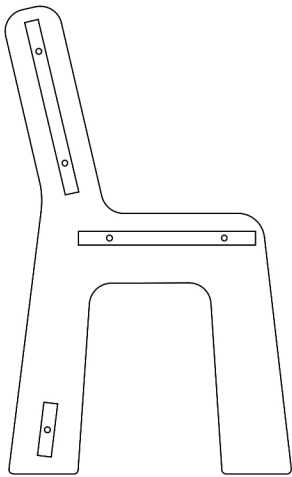
1. You are assmebling with at least two people to ensure that all sides and parts are leveled.
2. You don't screw the parts in too hard or it will splinter the wood.
3. You follow the directions carefully.

CONTACT US BEFORE ASSEMBLY

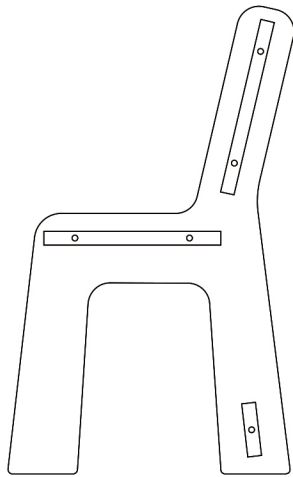
If you have assembly questions or if you need parts
whether they are missing or damaged

Call us at 888-697-3931 or email us at

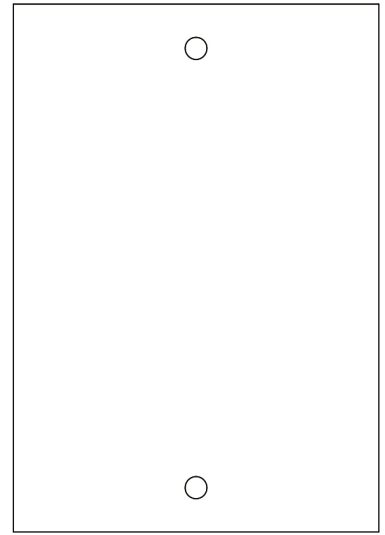
info@Avenlur.com



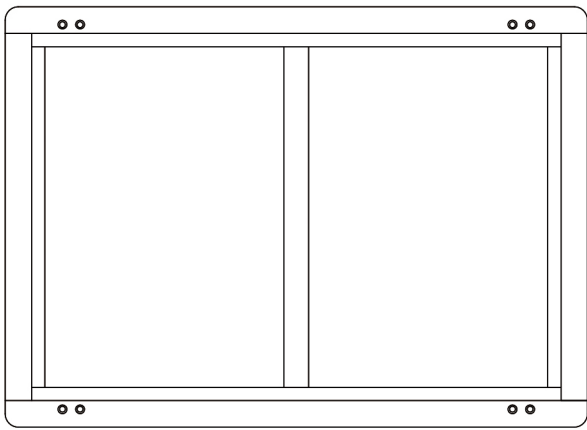
① x2 12.6in



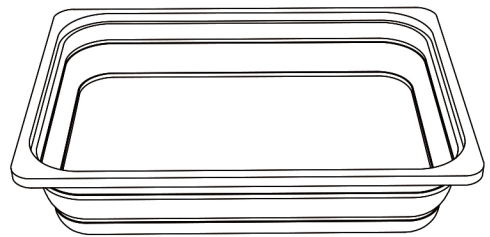
② x2 12.6in



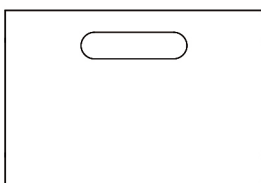
③ x1 23.54in



④ x1



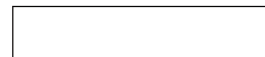
⑤ x2



⑥ x2 11.5in



⑦ x2 11.5in



⑧ x2 11.5in



⑩ x4



⑨ x4 18.58in



⑪ x2 16.06in



M6.3x40

Ⓐ x20



M6.3x50

Ⓑ x4



M7x70

Ⓒ x8

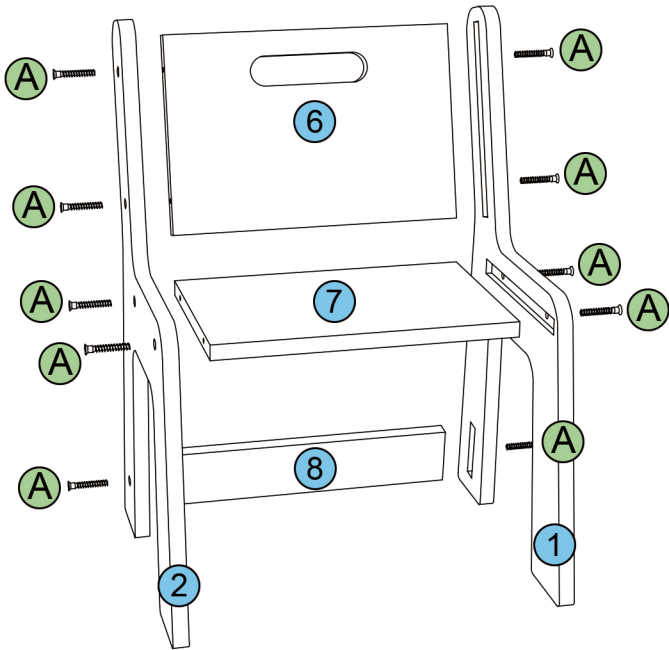


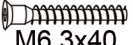

M4

Ⓓ x1

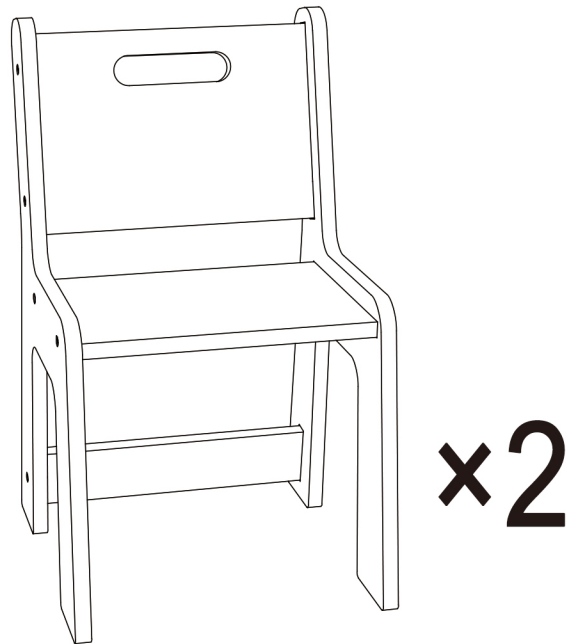
01-1

Note: Check all connections and bolts for tightness at least twice monthly during use. Do not use if screws are loose.

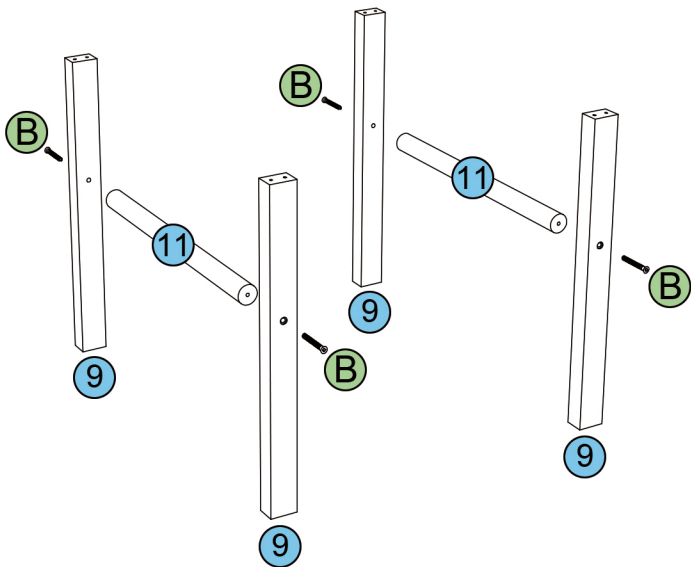




A	 M6.3x40	20
D	 M4	1

01-2



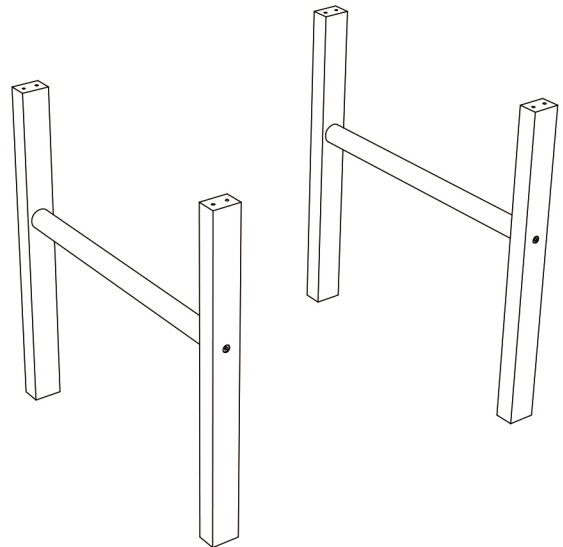
02-1



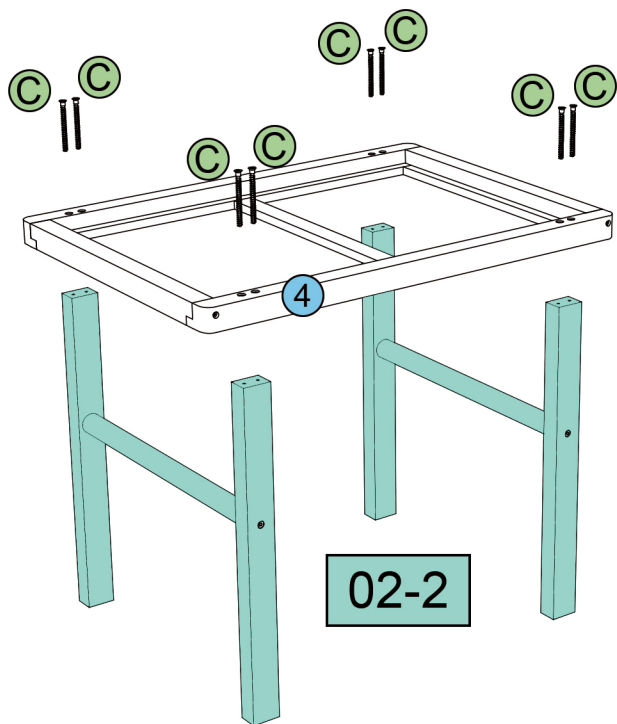
B	 M6.3x50	4
D	 M4	1

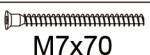

02-2

Note: Pay attention to all the black bubbled section markers. The manual may refer back to those later

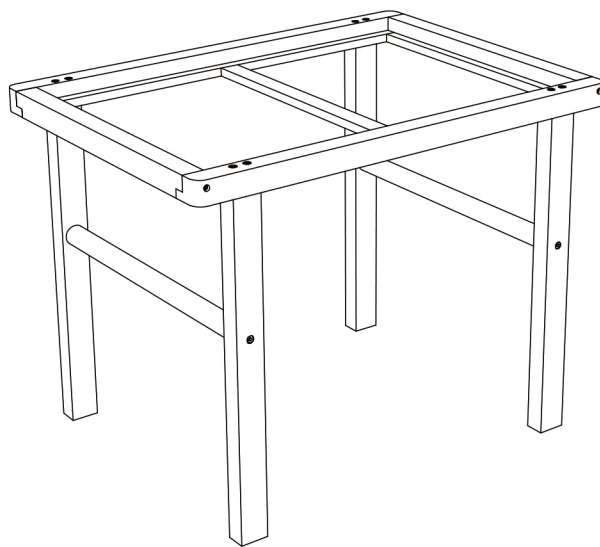


03-1

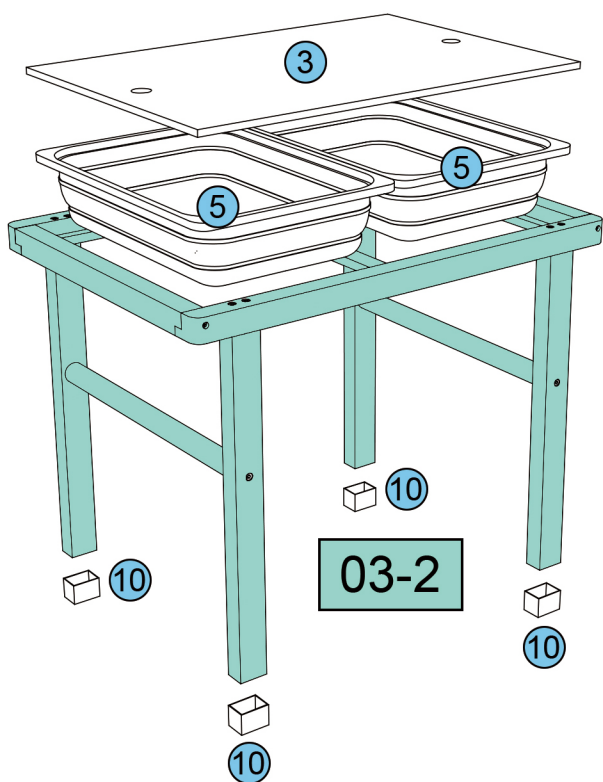


C	 M7x70	8
D	 M4	1

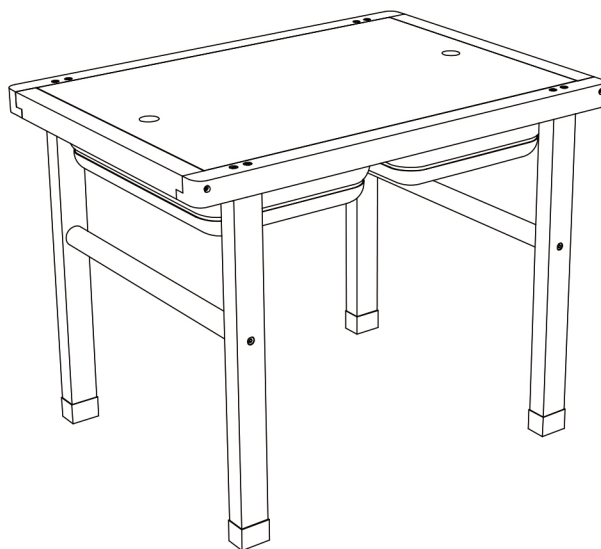
03-2

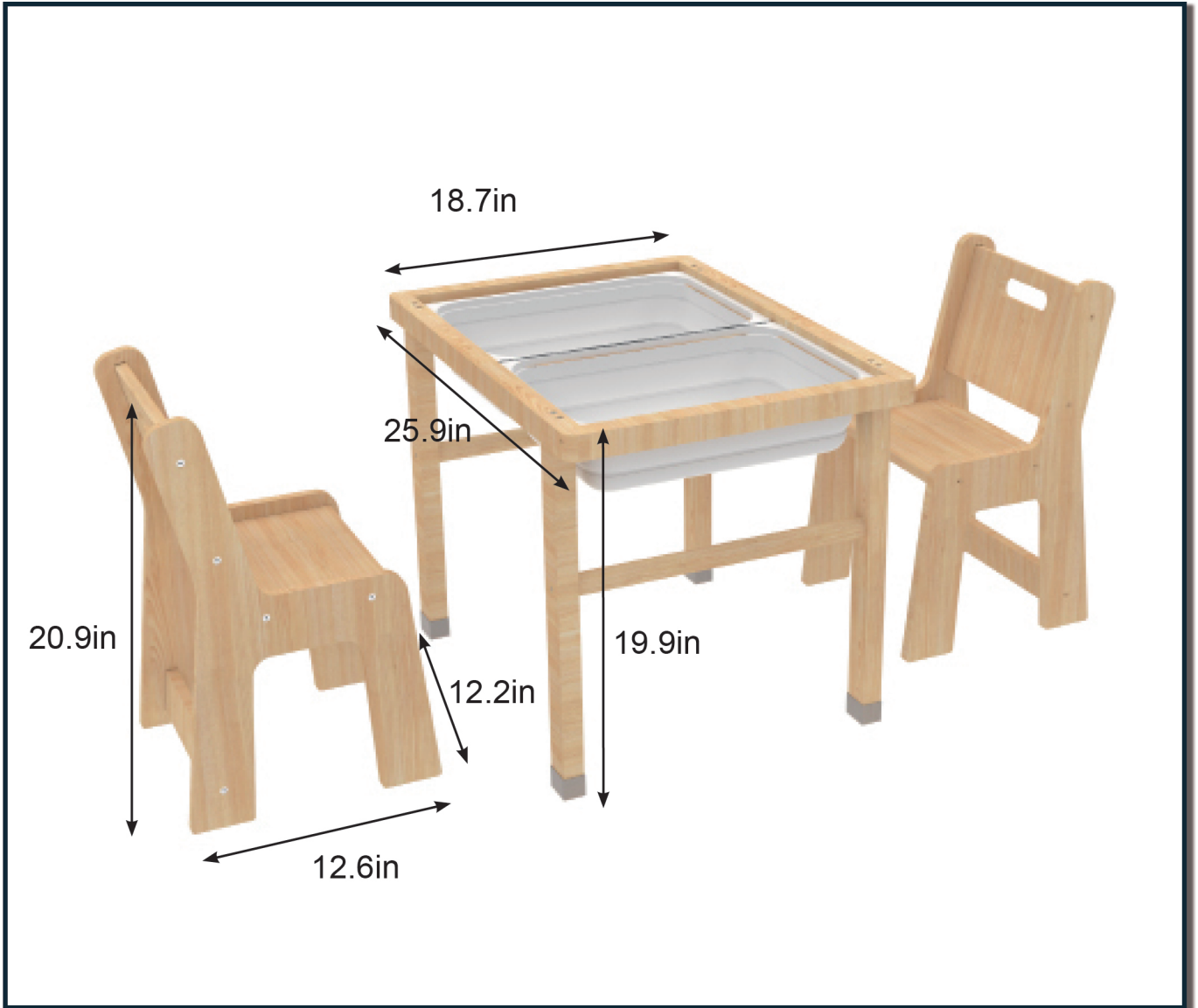


04-1



04-2





For questions with assembly or replacement parts, please email us at: info@avenlur.com or call us at: **888-697-3931**