

avenlur

Hazel by Avenlur



Need Help?

CALL US AT 888.697.3931 / M-F 9AM - 5PM PT (12PM - 8PM ET)
OR EMAIL US AT INFO@AVENLUR.COM

**For Video assembly,
visit www.avenlur.com/instructions
or scan the QR code below**



**FOR ADDITIONAL ASSISTANCE
PLEASE CALL US AT 888-697-3931
M-F 9AM-5PM PT (12pm -8PM ET)**

OR EMAIL US AT

info@Avenlur.com

**OBSERVE ALL STATEMENTS AND WARNINGS TO REDUCE THE LIKELIHOOD OF SERIOUS OR FATAL INJURY.
SAVE THIS SHEET FOR FUTURE REFERENCE.**

OPERATION INSTRUCTIONS

1. An adult should always supervise use of this product by children of all ages.
2. Limit: 2 children. Maximum weight per user: 55 lbs (25 kg).
3. Instruct children not to attach items to the playground equipment that are not specifically designed for use with the equipment (examples: ropes, clothesline, pet leashes, cables and chain, etc) as they may cause a strangulation hazard or any other hazard.
4. Never allow children to use the equipment in a manner other than intended.

MAINTENANCE INSTRUCTIONS

1. Inspect the product periodically for loose or damaged components. **Tighten bolts if need.**
2. Check all connections and bolts for tightness at least twice monthly during the usage.
3. Check all coverings and bolts for sharp edges.

INSTALLATION INSTRUCTIONS

Please have an electrical drill available for assembly if possible

If you have difficulty in installation, please contact us for help and get installation video for reference

Please Ensure:

1. You are assembling with at least two people to ensure that all sides and parts are leveled.
2. You don't screw the parts in too hard or it will splinter the wood.
3. You follow the directions carefully.

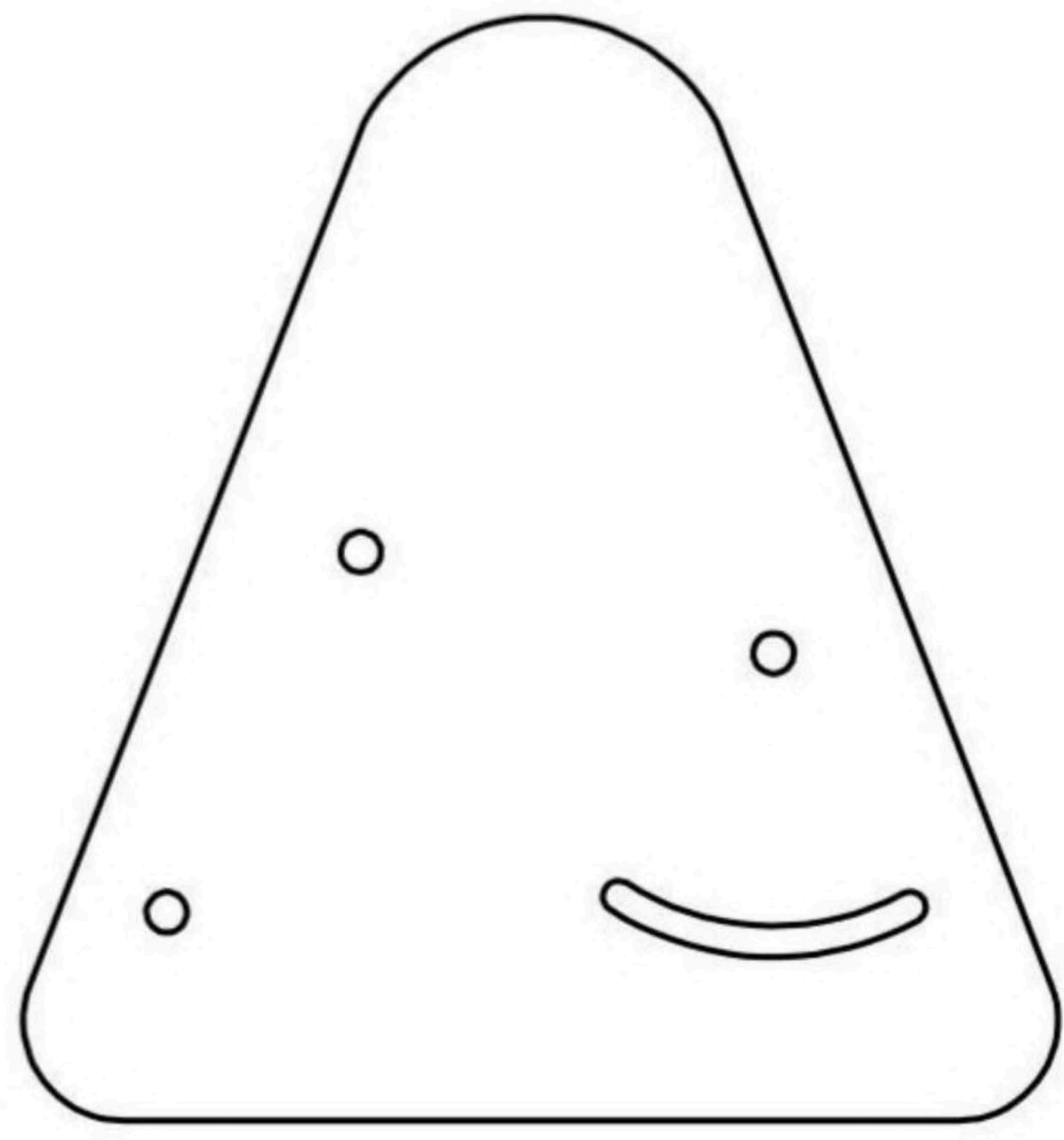
CONTACT US BEFORE ASSEMBLY

If you have assembly questions or if you need parts

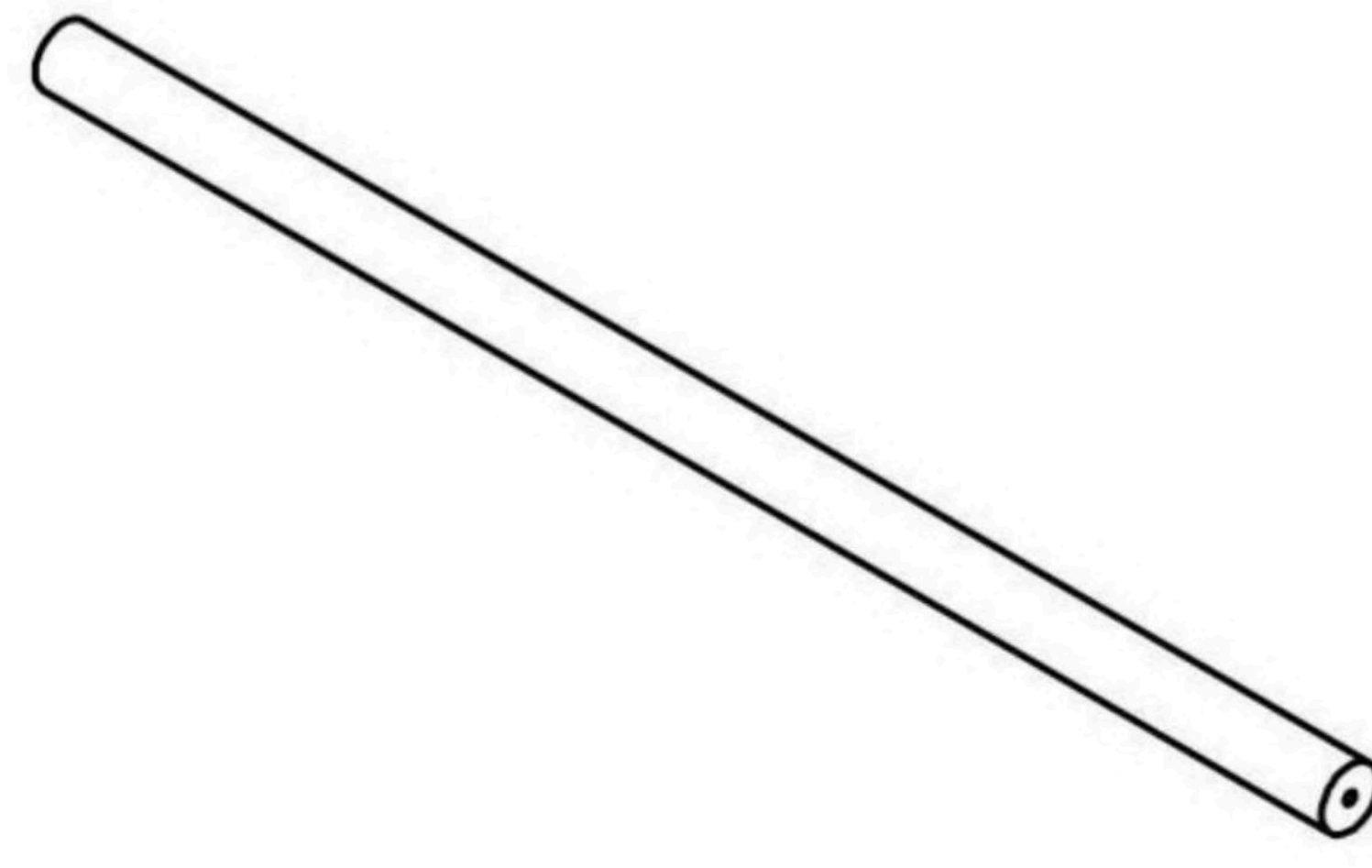
whether they are missing or damaged

Call us at 888-697-3931 or email us at

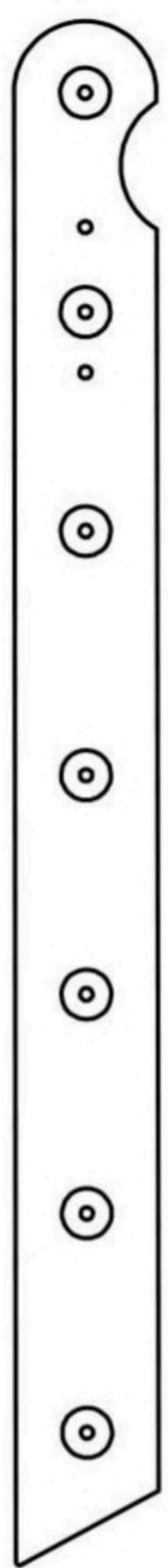
info@Avenlur.com



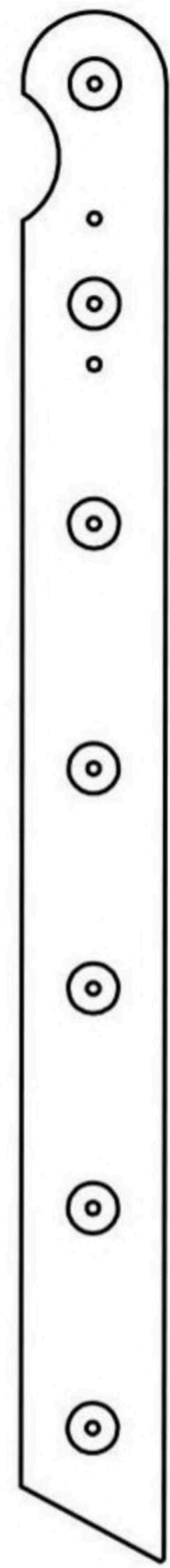
① x2



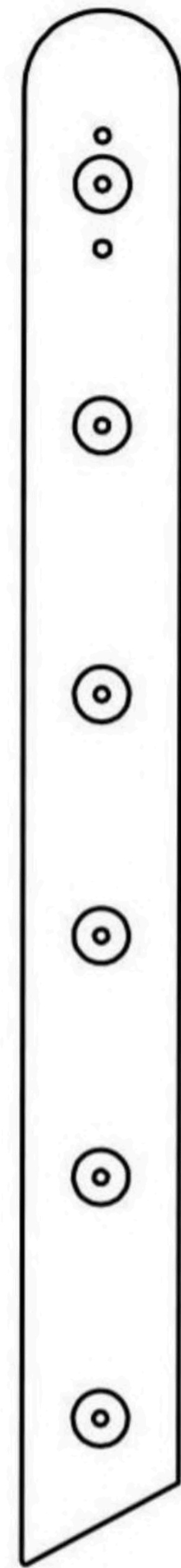
② x13



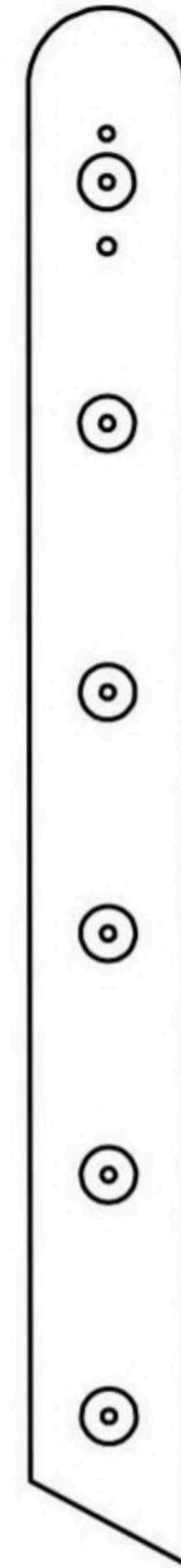
③ x1



④ x1



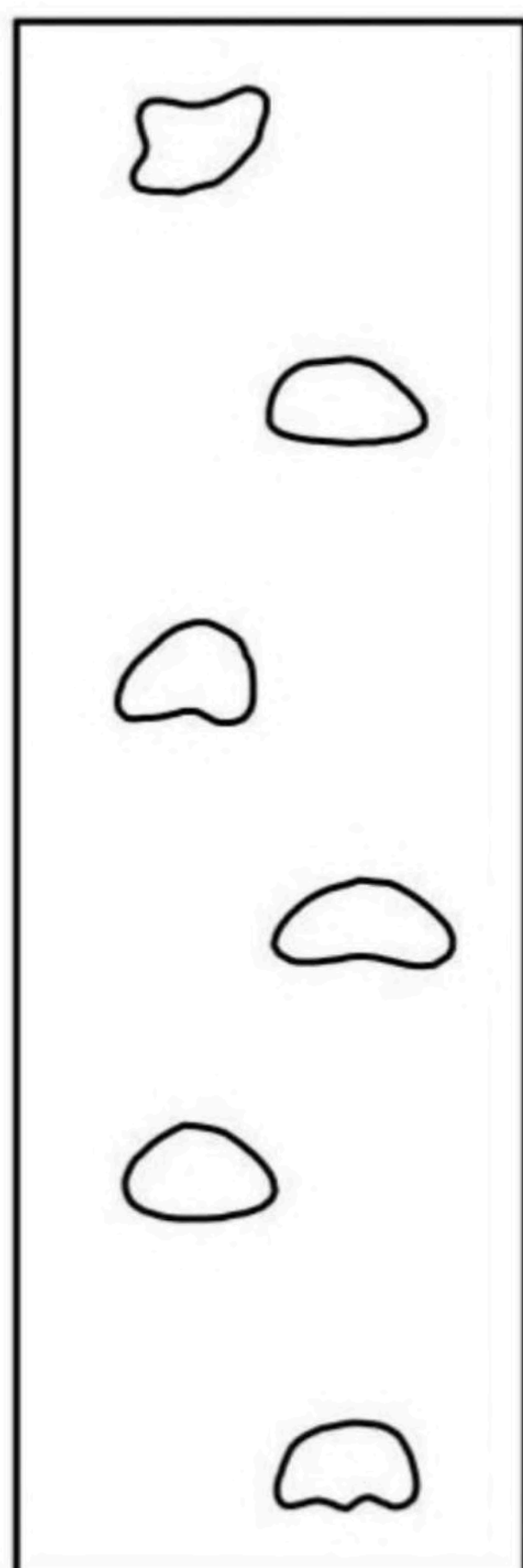
⑤ x1



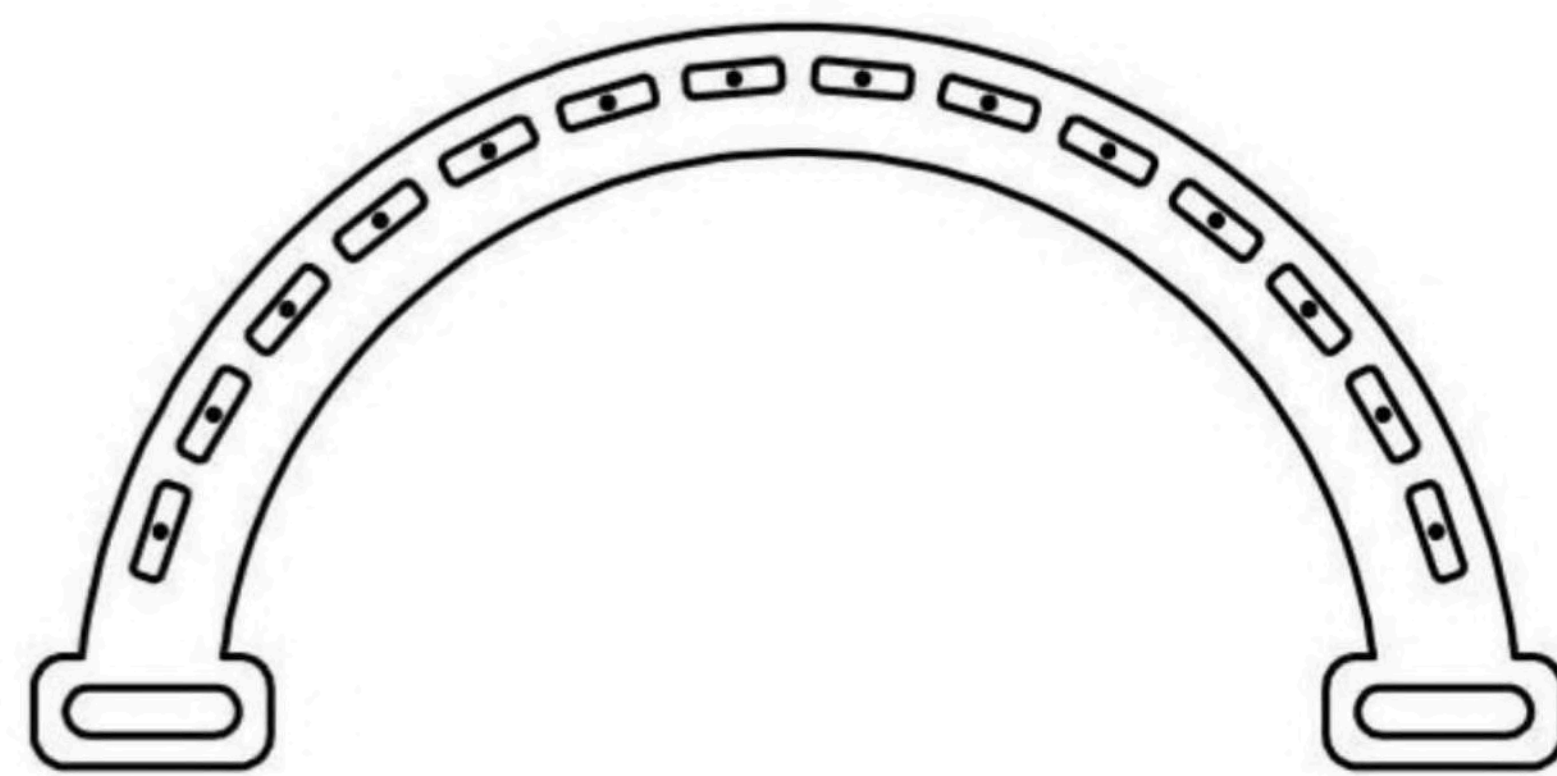
⑥ x1



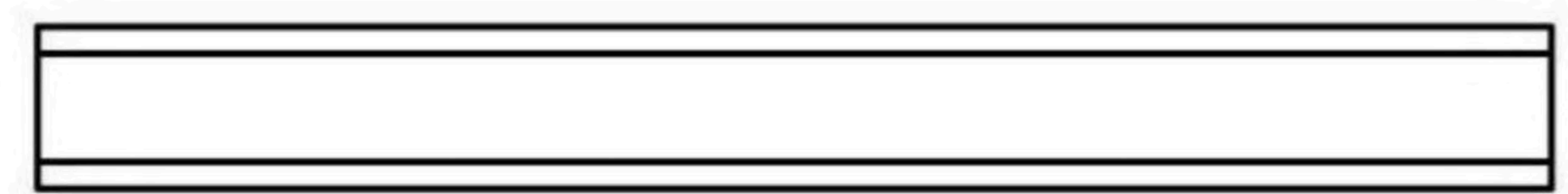
⑦ x2



⑧ x1



⑨ x2



⑩ x14



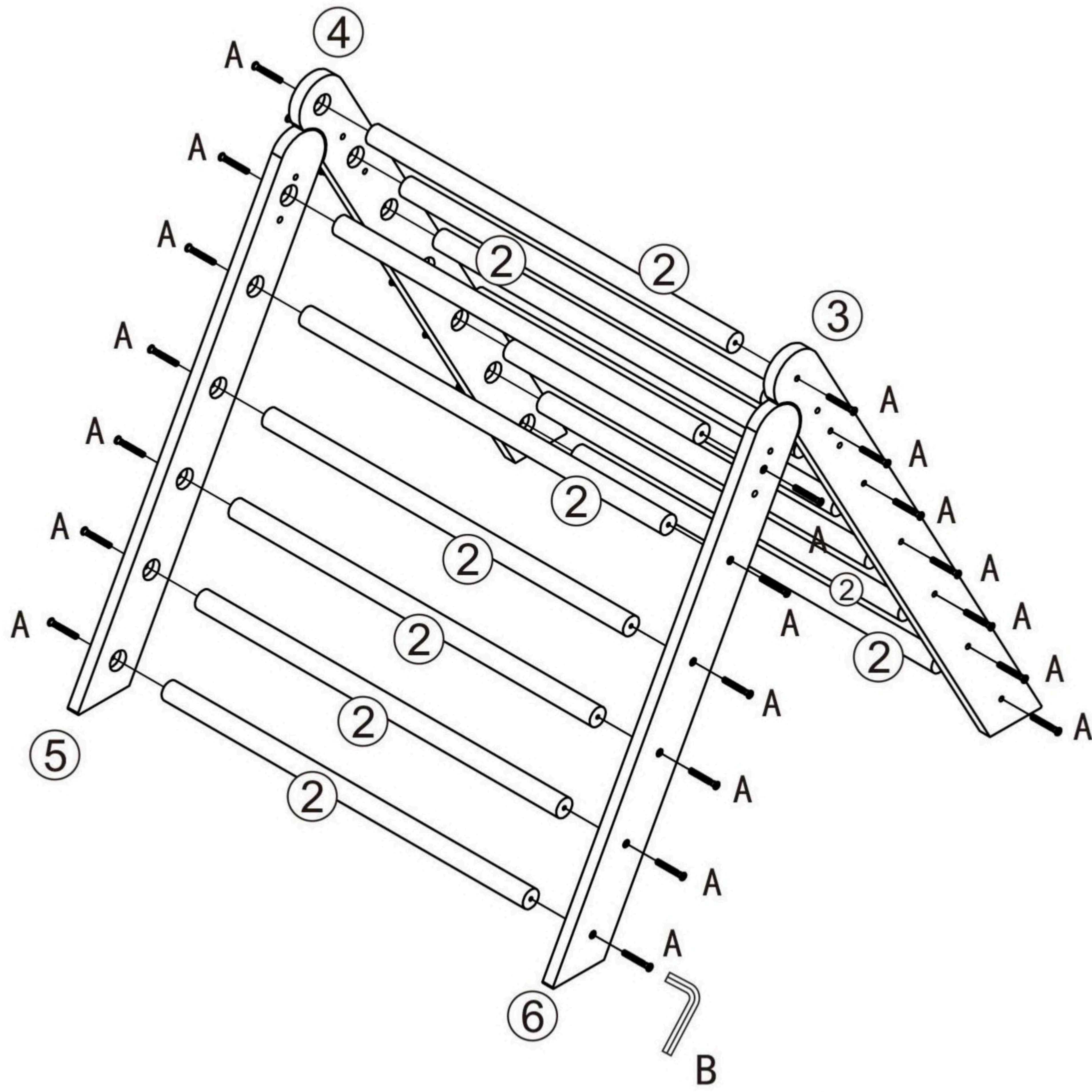
M7x40
A x64





B x2

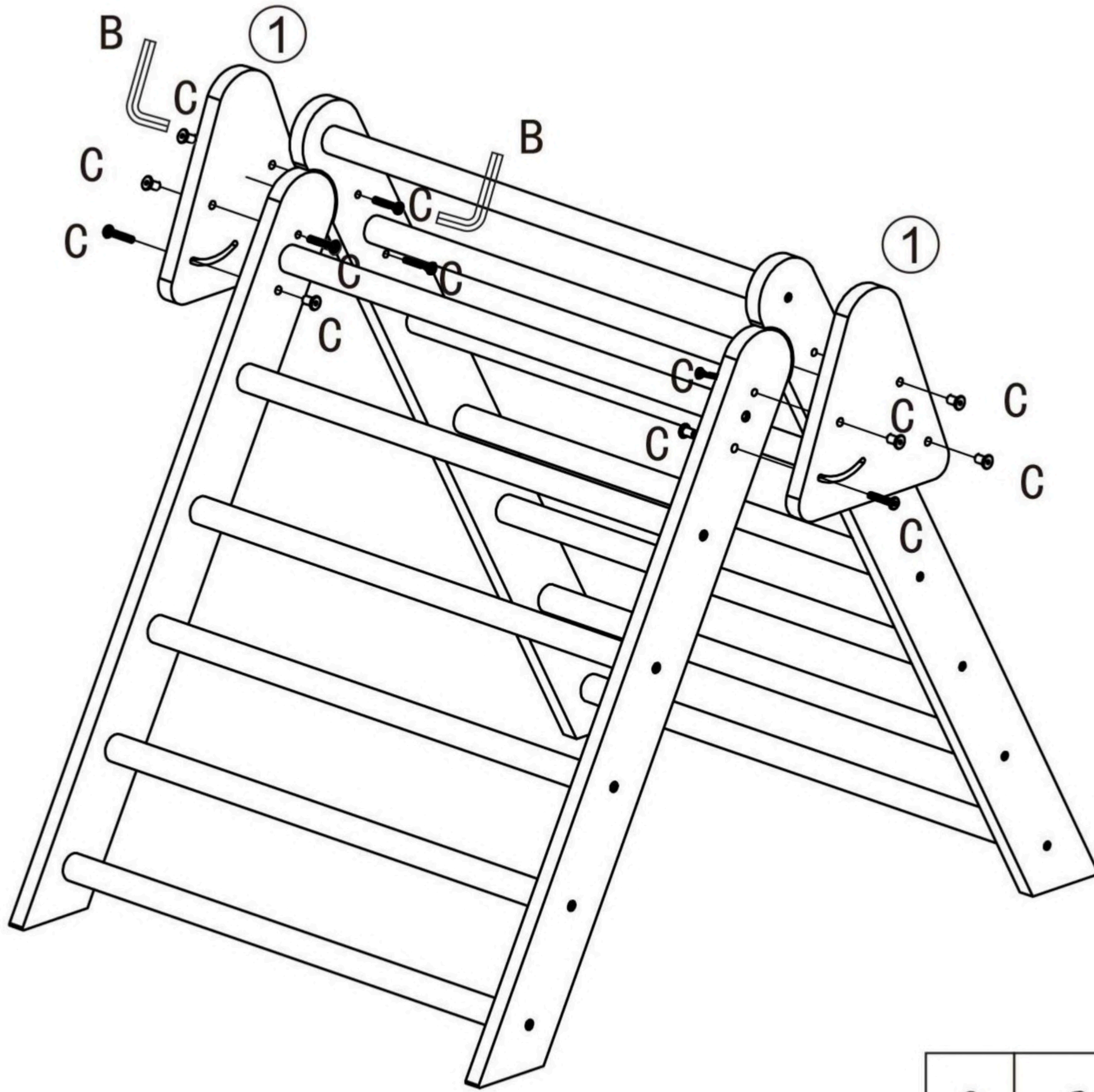




C x8



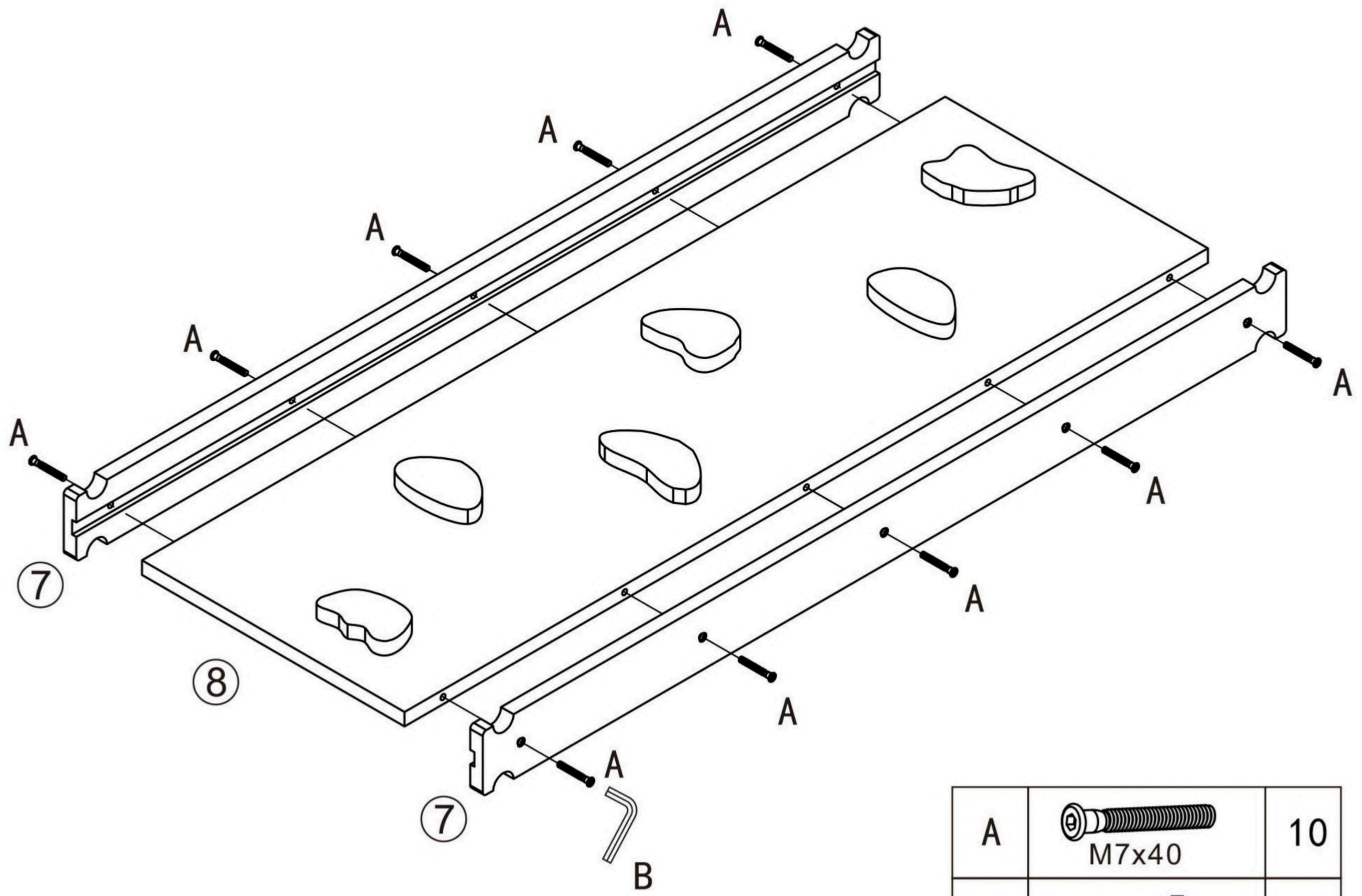
A	 M7x40	26
B		1

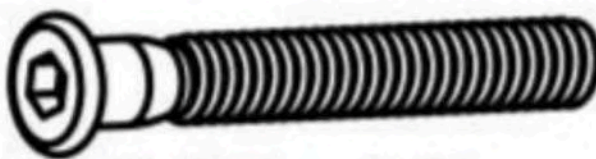





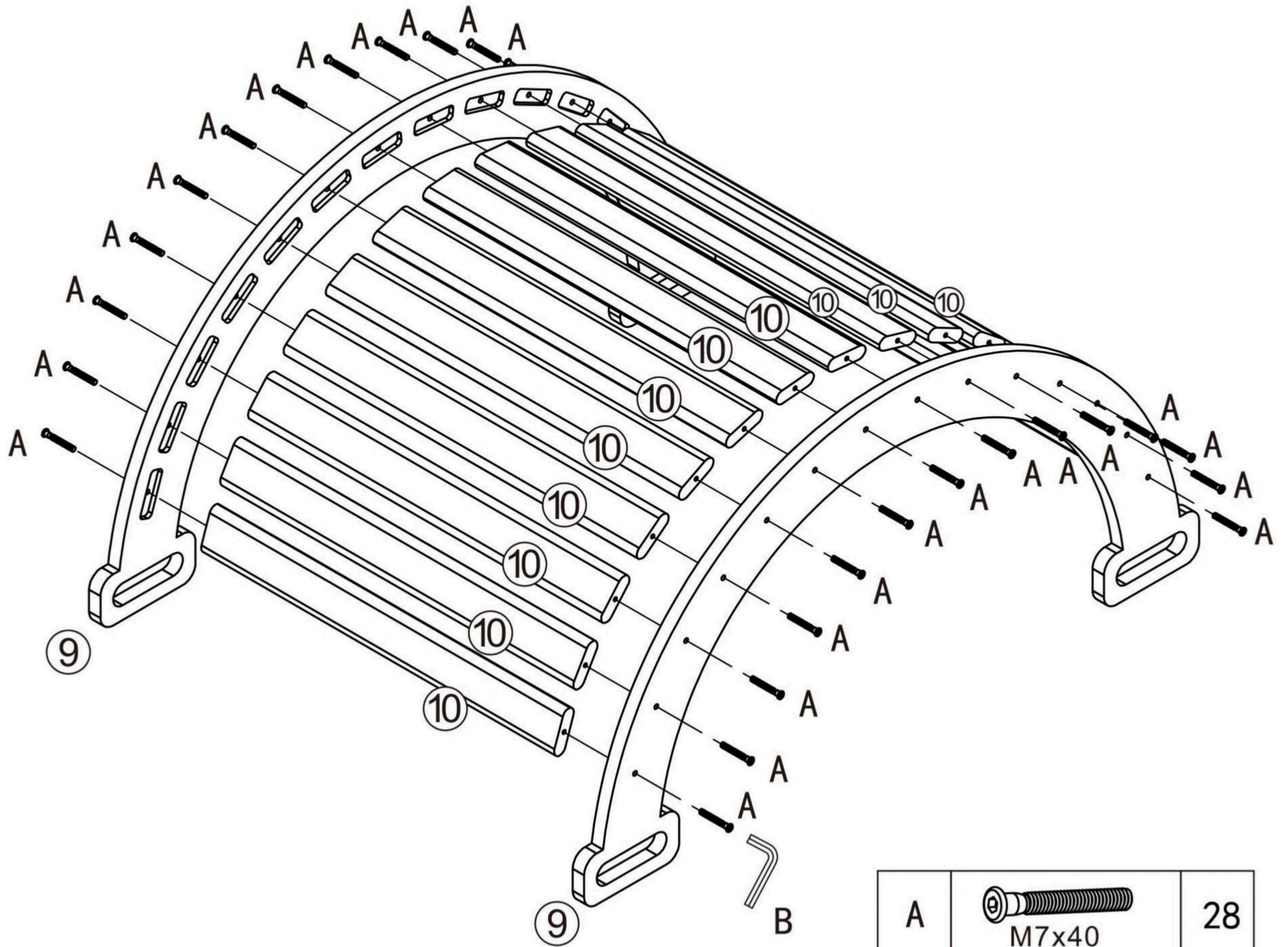
C		8
B		2







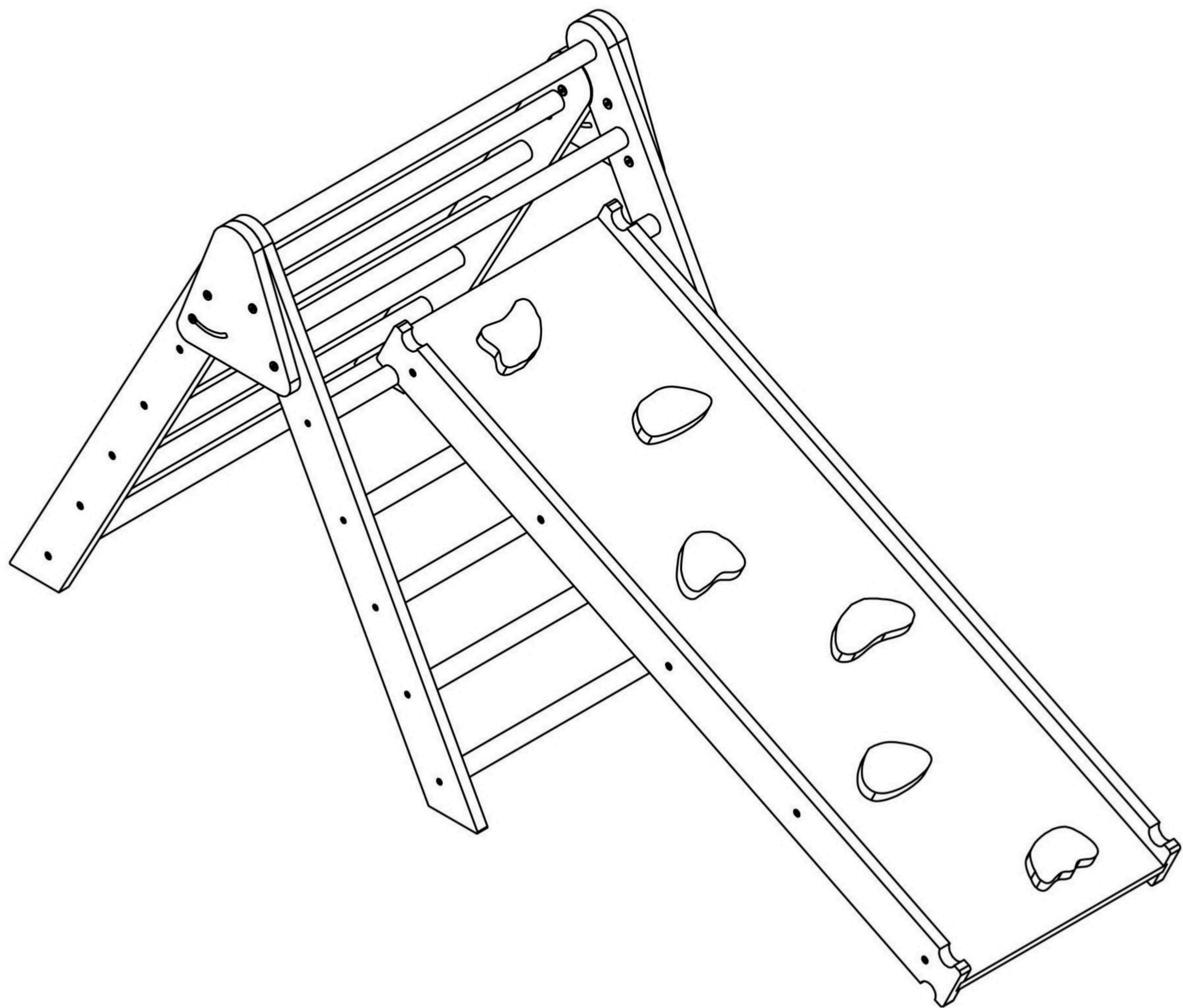
A	 M7x40	10
B		1



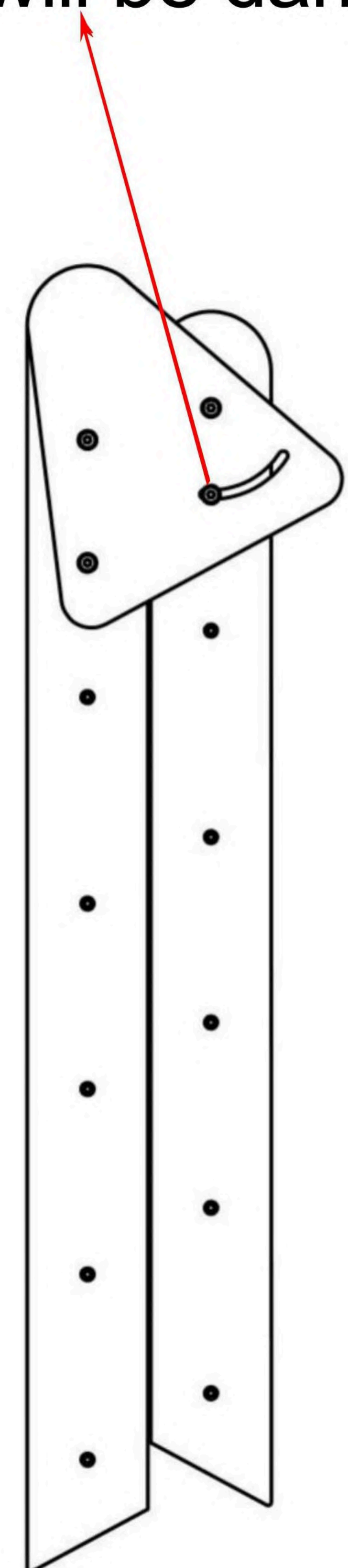
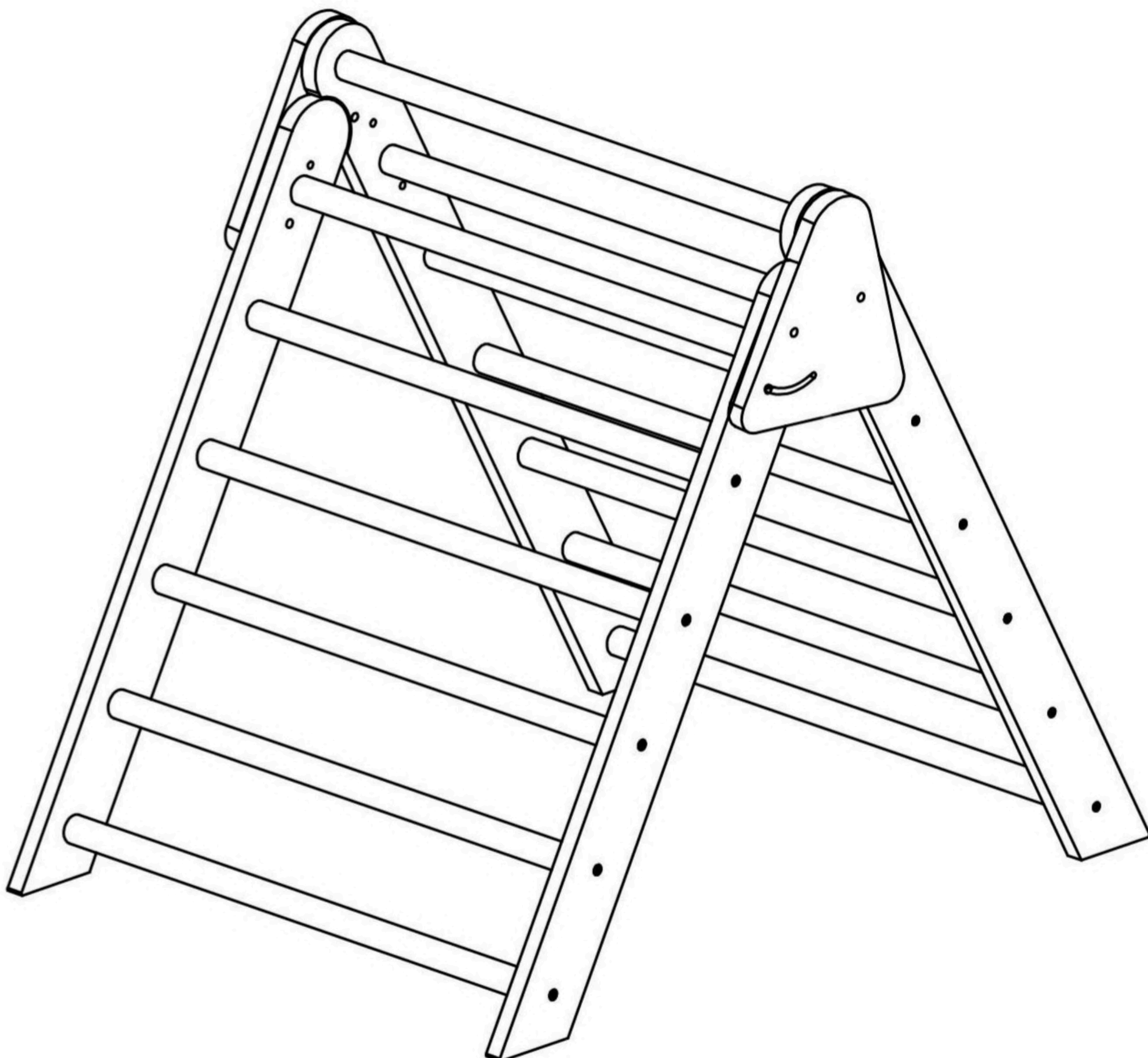


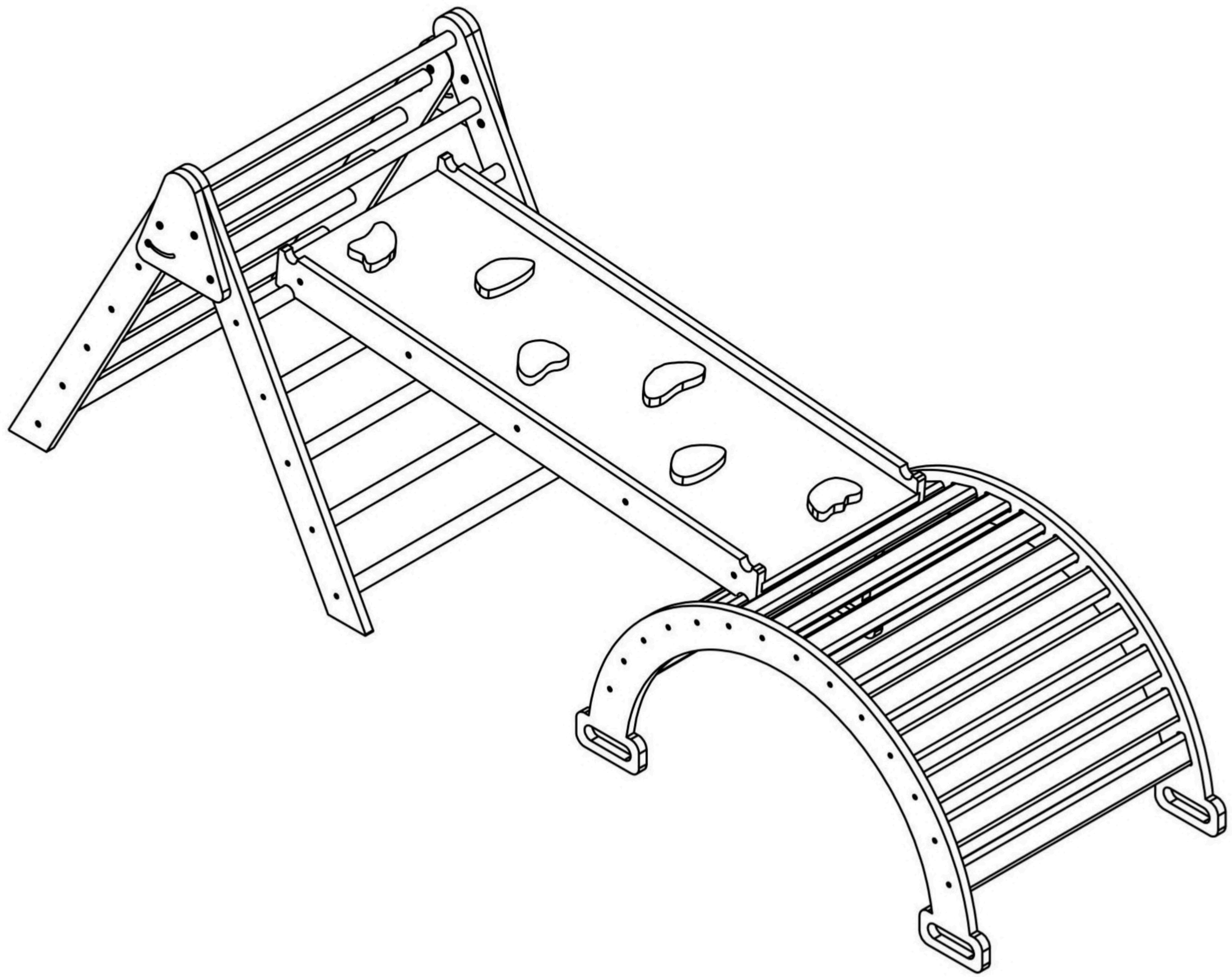
A	 M7x40	28
B		1

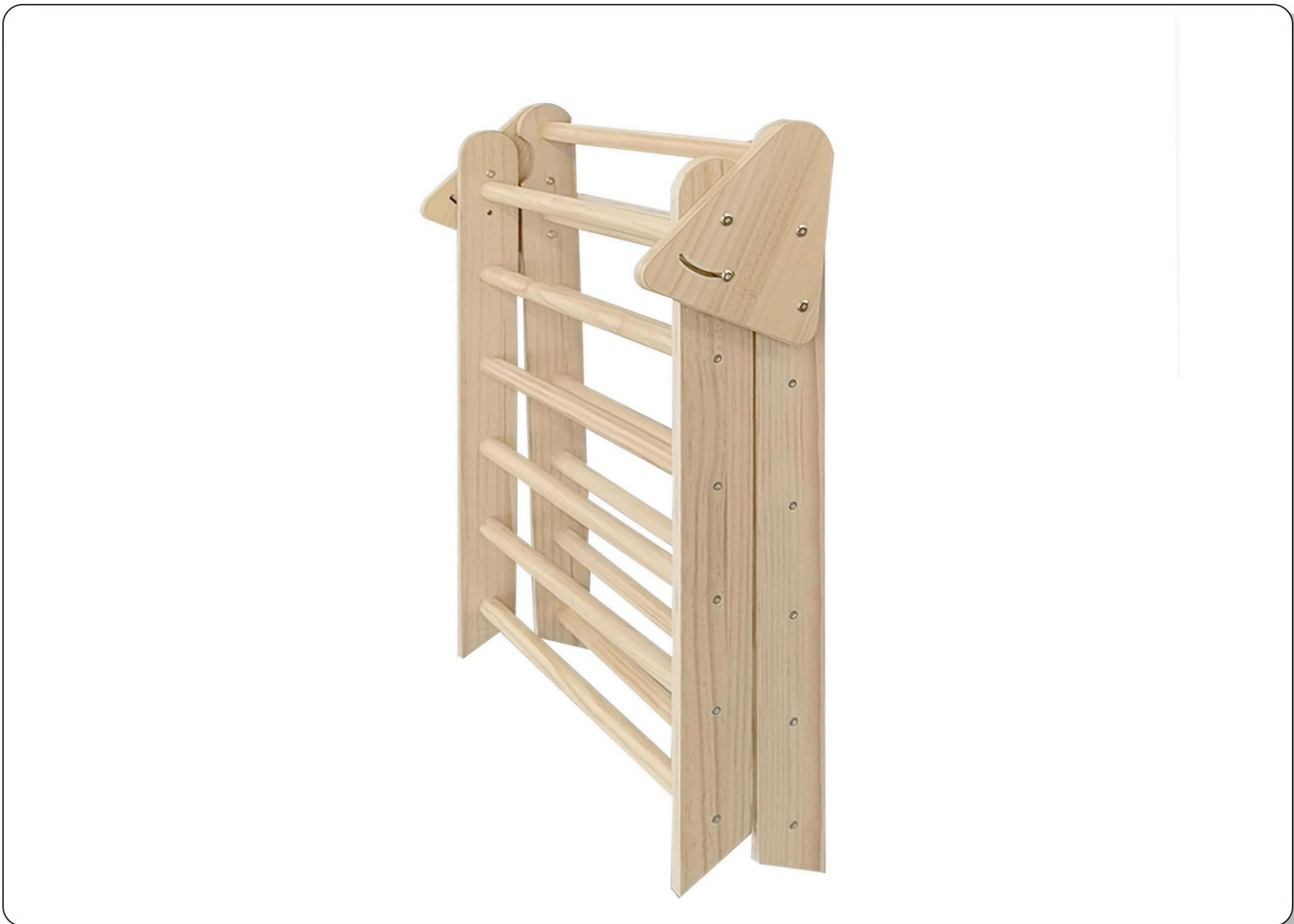




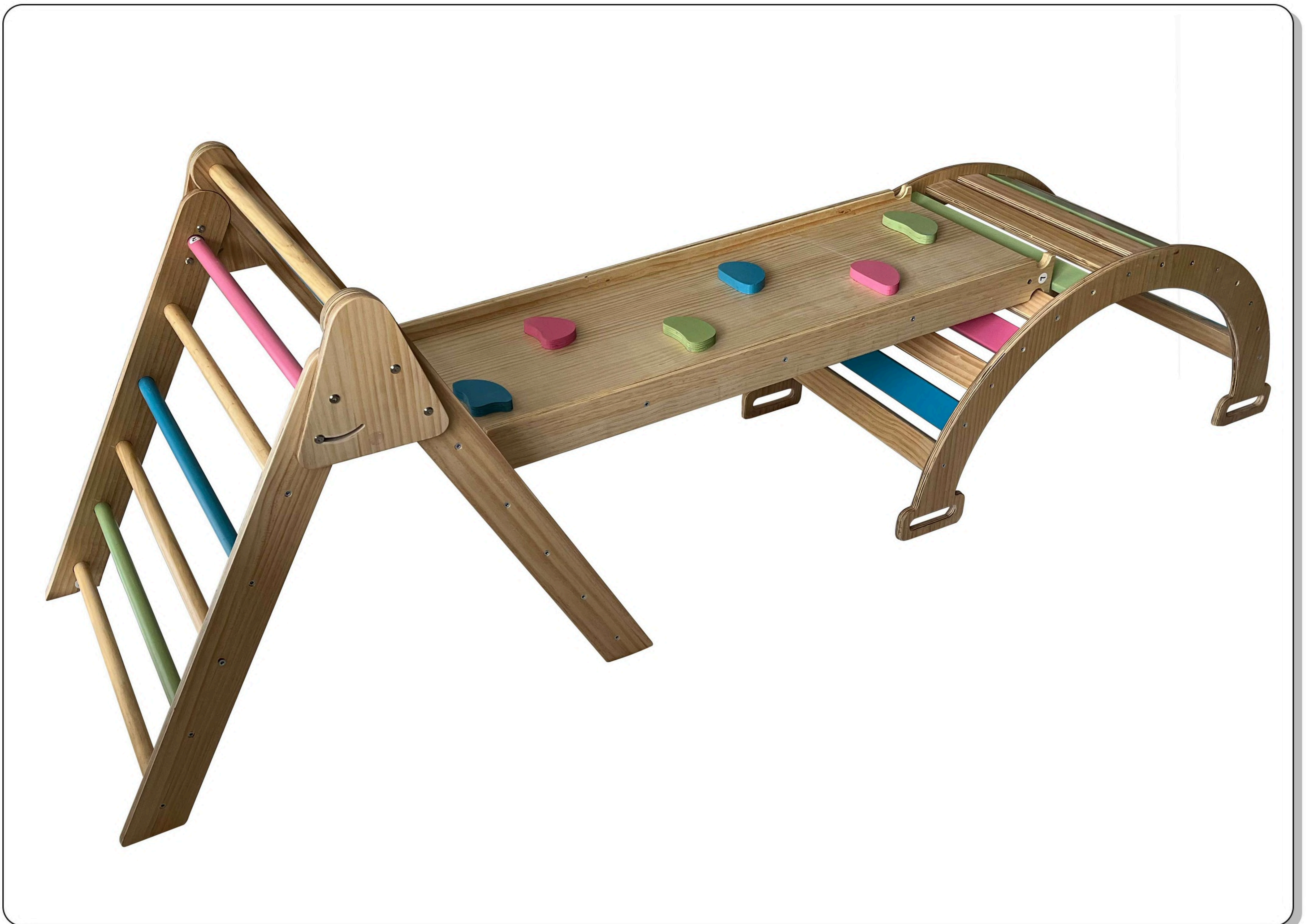
NOTE: Full color pikler needs to loosen this screw when folding, or the paint will be damaged.











**For Video assembly,
visit www.avenlur.com/instructions
or scan the QR code below**



**FOR ADDITIONAL ASSISTANCE
PLEASE CALL US AT 888-697-3931
M-F 9AM-5PM PT (12pm -8PM ET)**

OR EMAIL US AT

info@Avenlur.com