

avenlur

Holly by Avenlur



Need Help?

CALL US AT 888.697.3931 / M-F 9AM - 5PM PT (12PM - -8PM ET)

OR EMAIL US AT INFO@AVENLUR.COM


WARNING

Adult assembly required.

WARNING

CHOKING HAZARD:

Adult assembly required. Keep small assembly parts out of reach of children.

 Use under adult supervision.

OBSERVE ALL STATEMENTS AND WARNINGS TO REDUCE THE LIKELIHOOD OF SERIOUS OR FATAL INJURY. SAVE THIS SHEET FOR FUTURE REFERENCE.

OPERATION INSTRUCTIONS

1. An adult should always supervise use of this product by children of all ages.
2. Instruct children not to attach items to the playground equipment that are not specifically designed for use with the equipment (examples: ropes, clothesline, pet leashes, cables and chain, etc) as they may cause a strangulation hazard or any other hazard.
3. Never allow children to use the equipment in a manner other than intended.

MAINTENANCE INSTRUCTIONS

1. Inspect the product periodically for loose or damaged components. **Tighten bolts if need.**
2. Check all connections and bolts for tightness at least twice monthly during the usage.
3. Check all coverings and bolts for sharp edges.

INSTALLATION INSTRUCTIONS

Please have an electrical drill available for assembly if possible.

If you have difficulty in installation, please contact us for help and get installation video for reference.

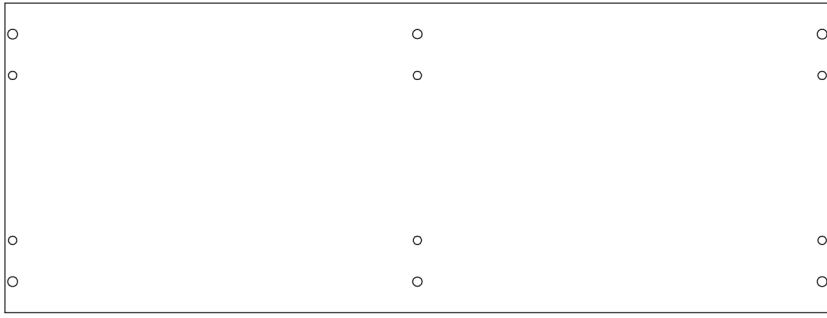
Please Ensure:

1. You are assembling with at least two people to ensure that all sides and parts are leveled.
2. You don't screw the parts in too hard or it will splinter the wood.
3. You follow the directions carefully.

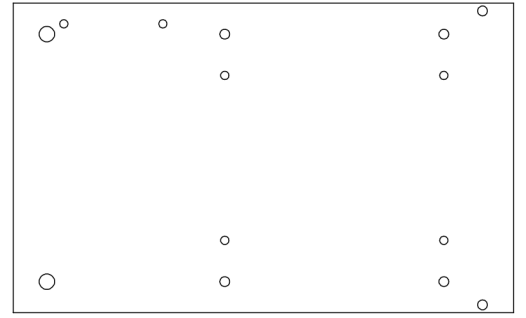
CONTACT US BEFORE ASSEMBLY

If you have assembly questions or if you need parts
whether they are missing or damaged

Call us at 888-697-3931 or email us at
info@Avenlur.com



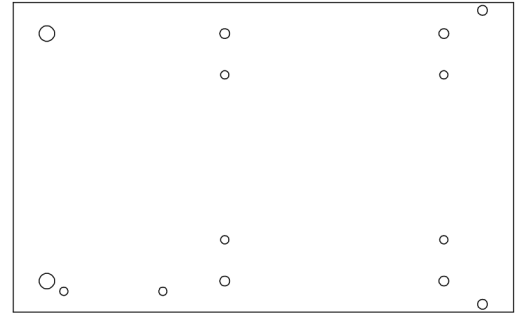
①x1 31.5in



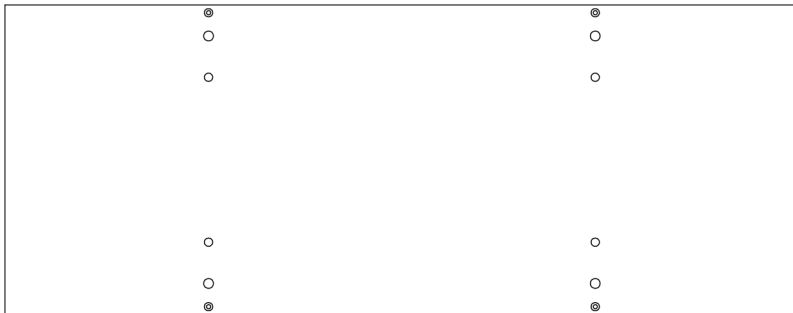
④x1 19.1in



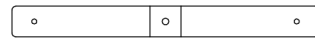
②x1 30.3in



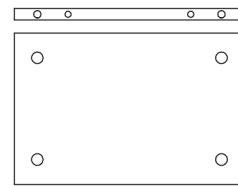
⑤x1 19.1in



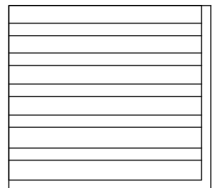
③x1 30.3in



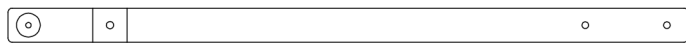
⑥x2 15.7in



⑦x3 11.8in



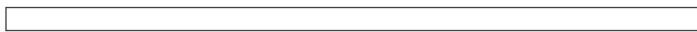
Cloth
⑧x1



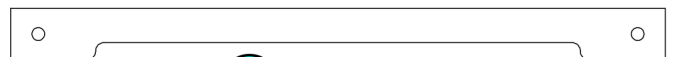
⑨x2 31.5in



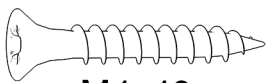
⑪x1 30.3in



⑩x3 32.2in

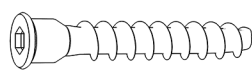


⑫x1 30.3in



M4x40

①Ax4



M6.3x40

①Bx6



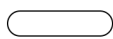
M6x15 M6x15

①Cx2



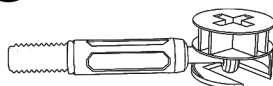
M6x20 M6x25

①Dx4



M8x20

①Ex24



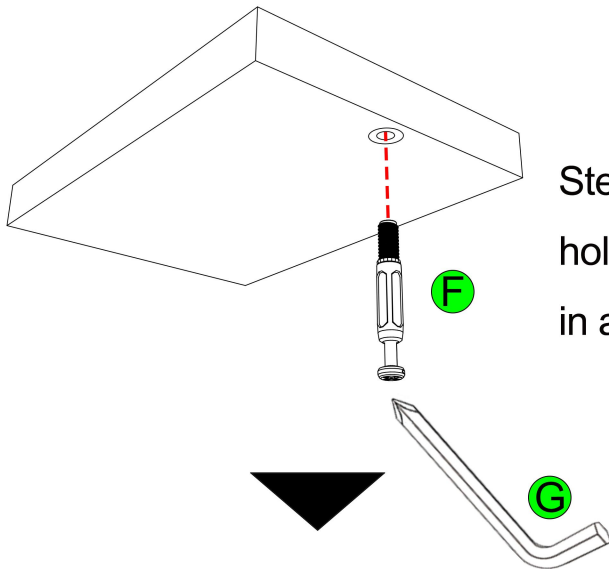
①Fx28



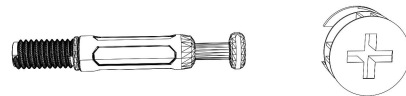
4mm

①Gx2

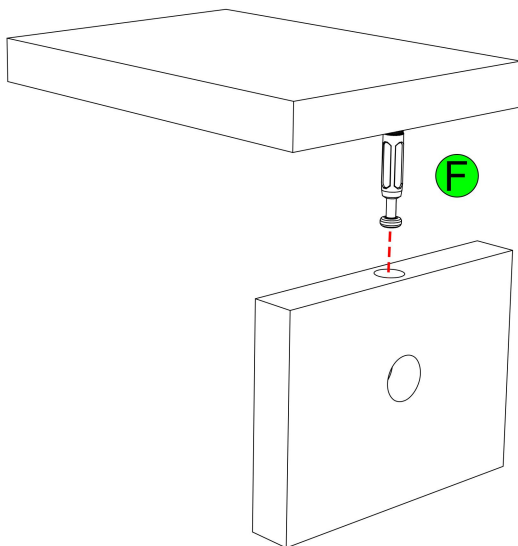
Installation steps of screw F



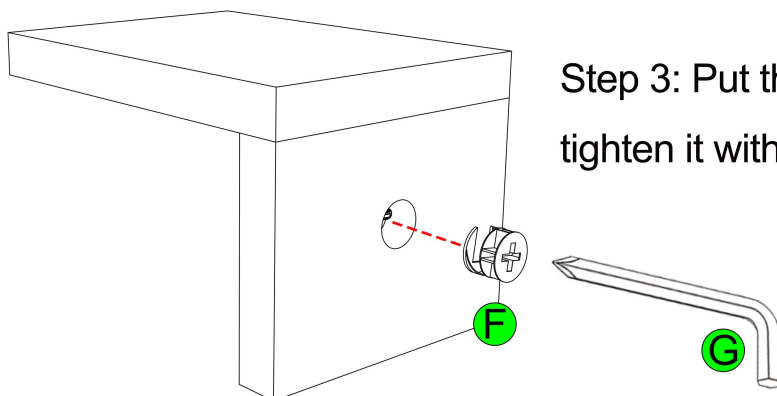
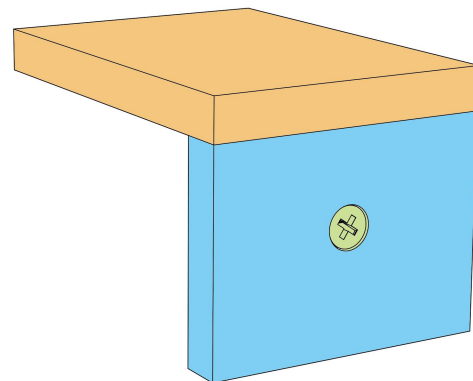
Step 1: First tighten the long screw into the wood hole with **G** cross wrench. Be sure to fix the screw in a vertical position for easy assembly later.



Screw **F** consists of two parts



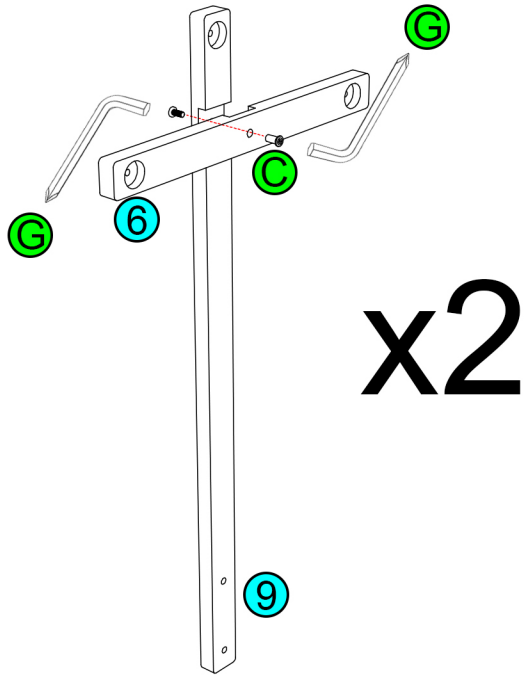
Step 2: Put the long screw fixed to the wood into the corresponding hole.

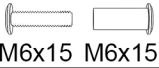
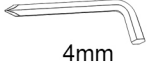


Step 3: Put the round connector into the hole and tighten it with the long screw with **G** cross wrench.

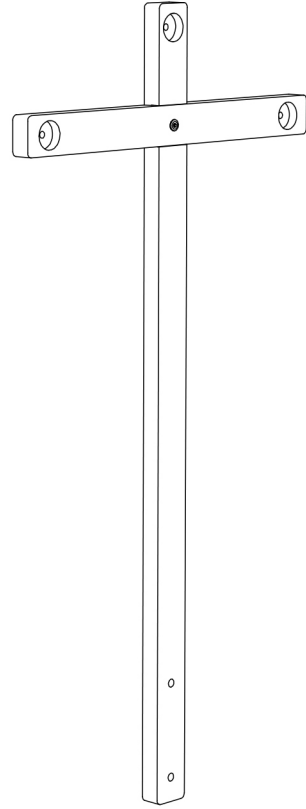
01-1

Note: Pay attention to all the black bubbled section markers. The manual may refer back to those later.

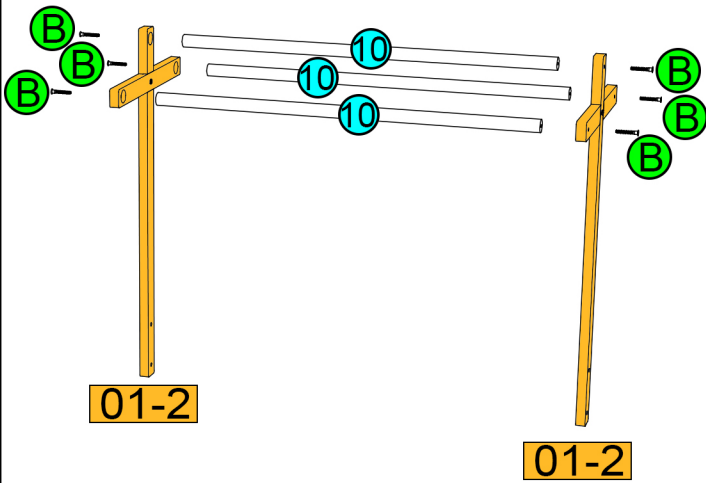


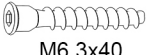
C	 M6x15 M6x15	2
G	 4mm	2

01-2

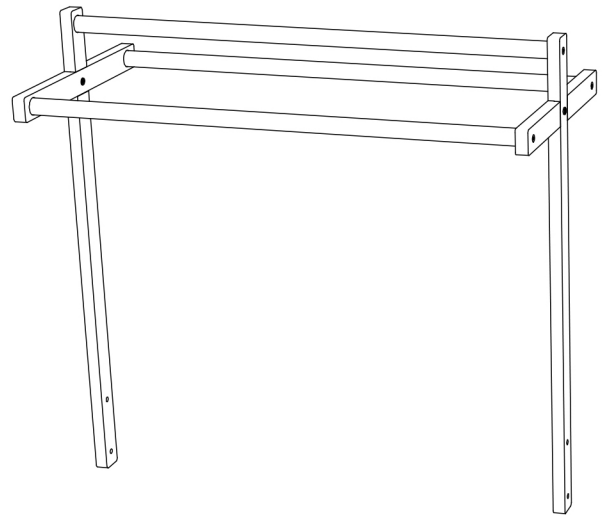


02-1

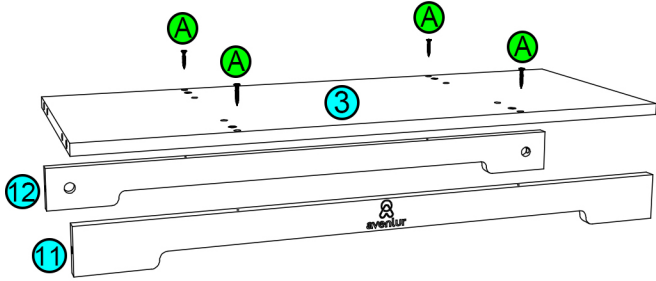



B	 M6.3x40	6
----------	---	---

02-2

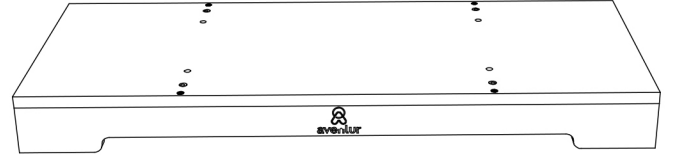


03-1

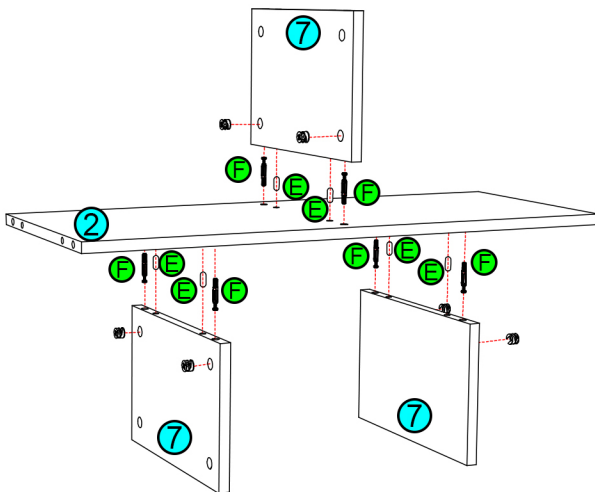


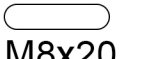
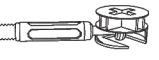

A		4
M4x40		

03-2

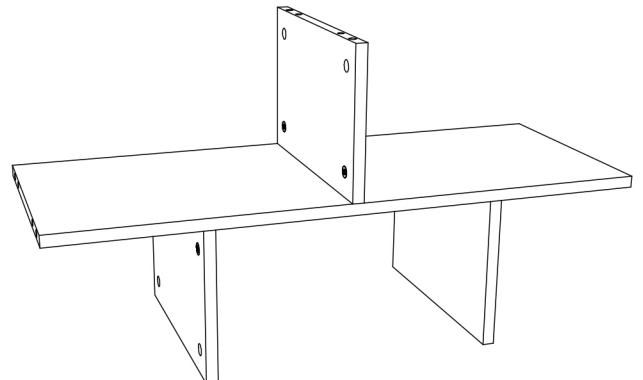


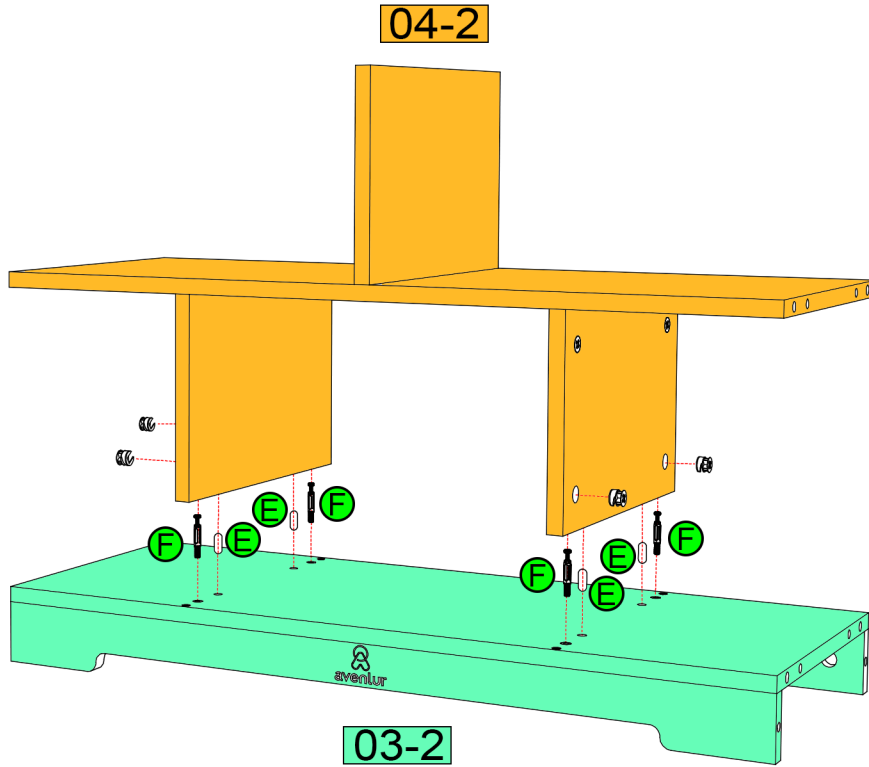
04-1

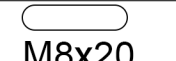
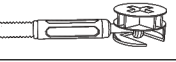



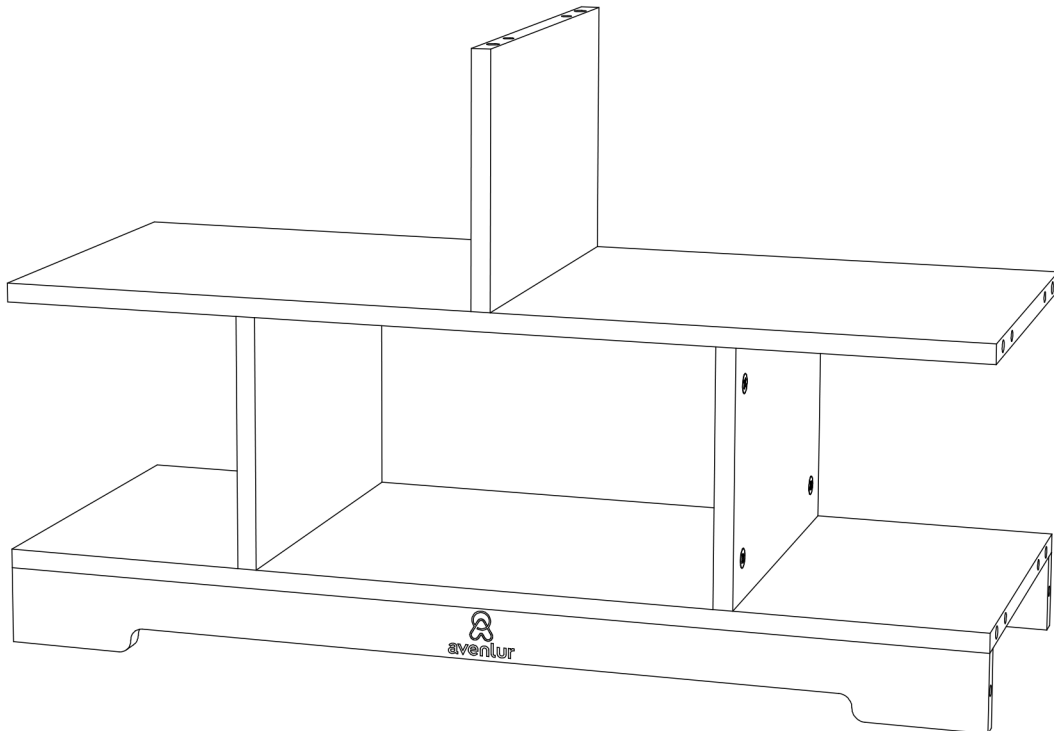
E		6
M8x20		
F		6
G		1
4mm		

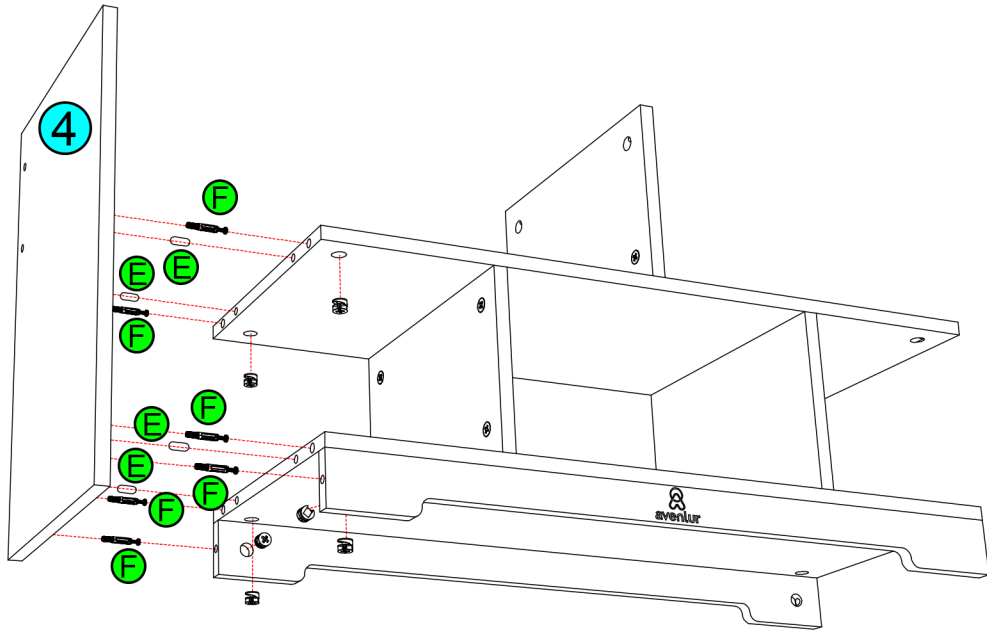
04-2

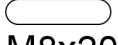




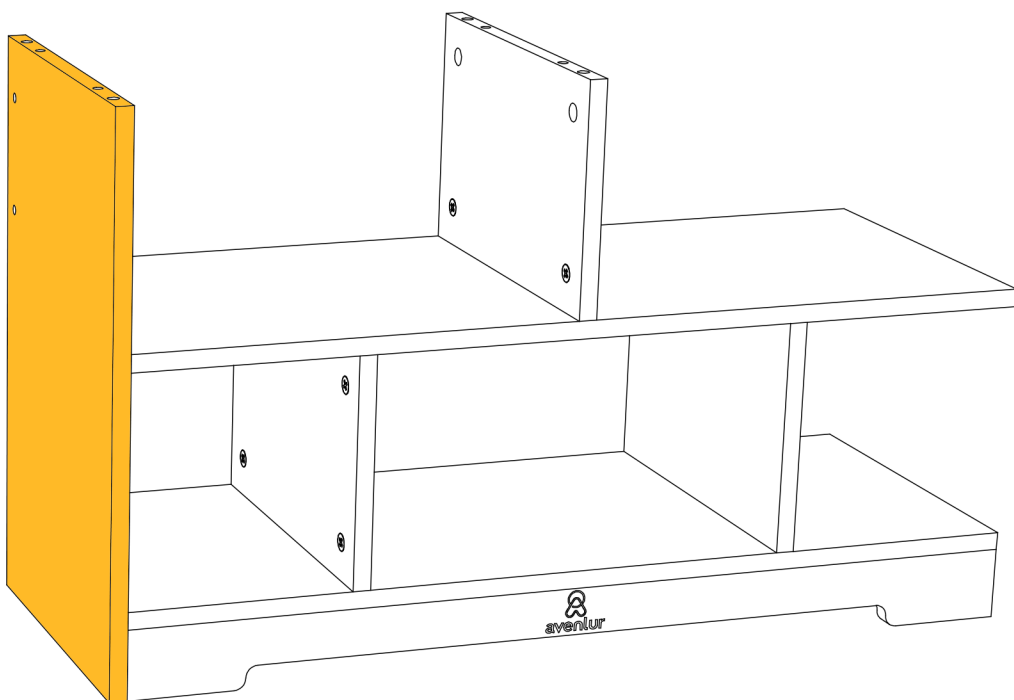


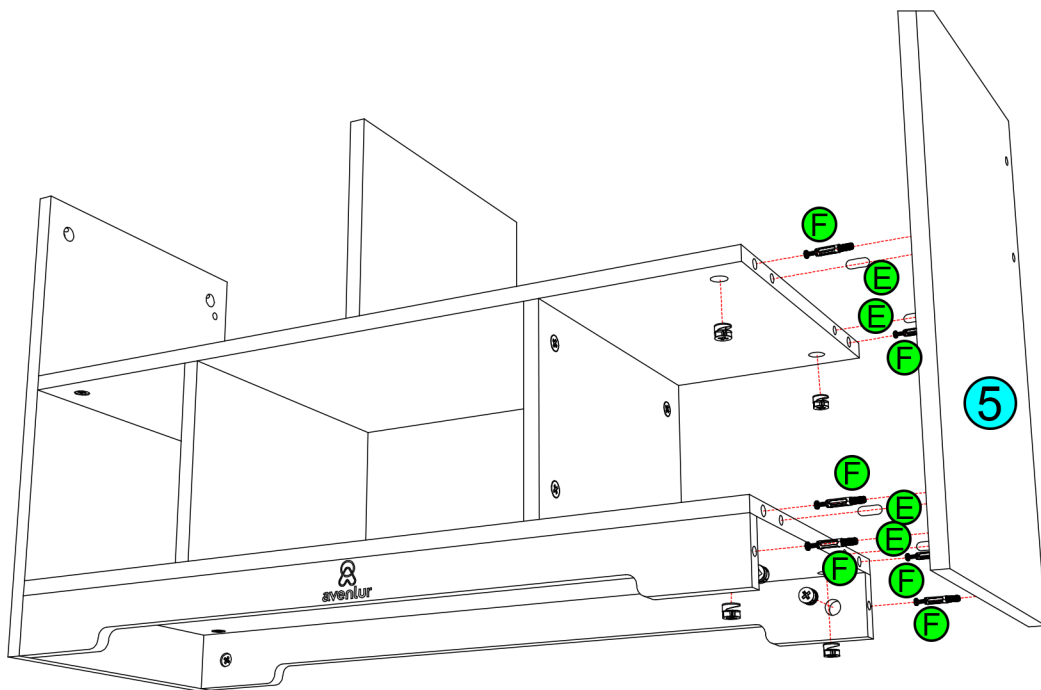
E	 M8x20	4
F		4
G	 4mm	1

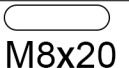
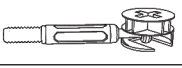
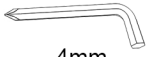


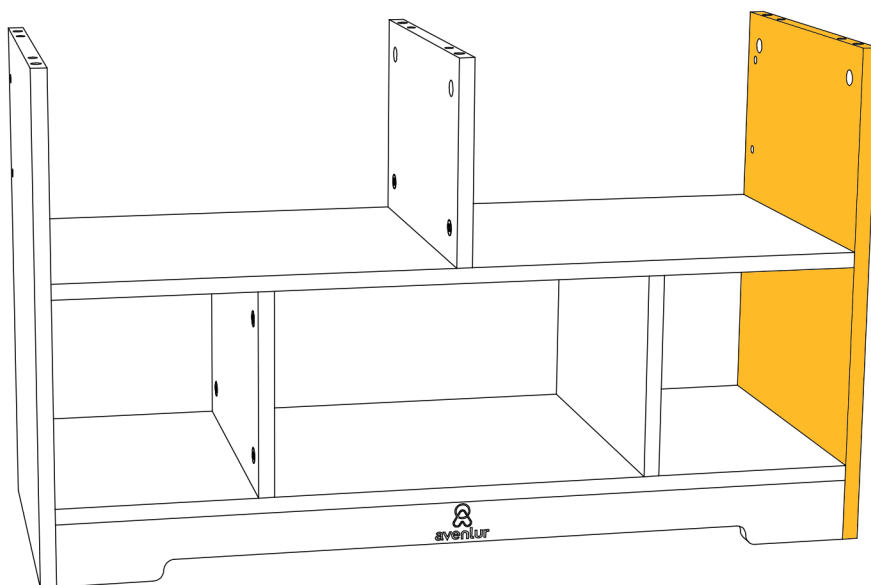


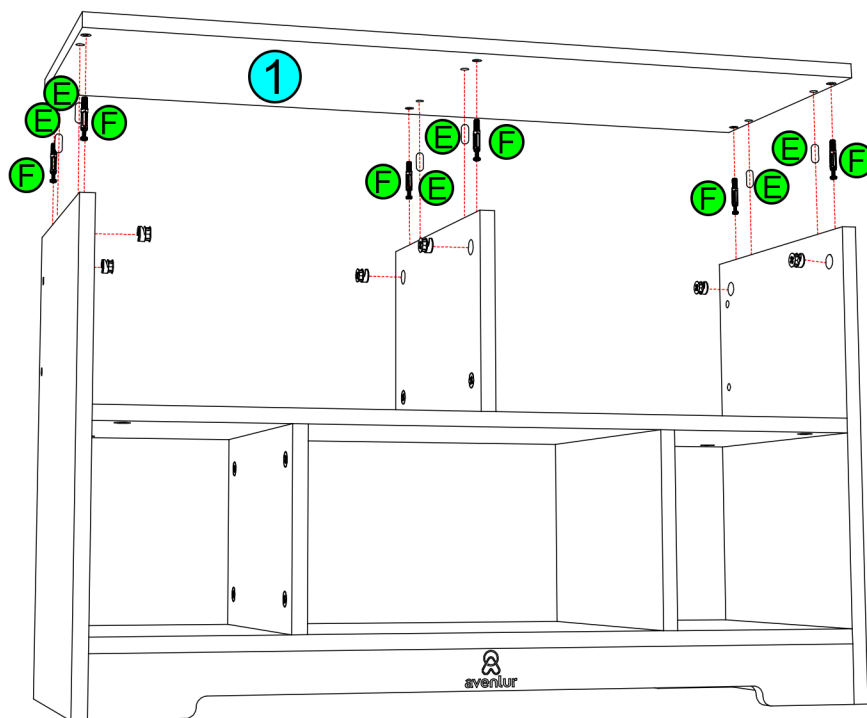
E	 M8x20	4
F		6
G	 4mm	1

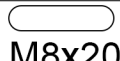
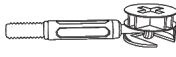



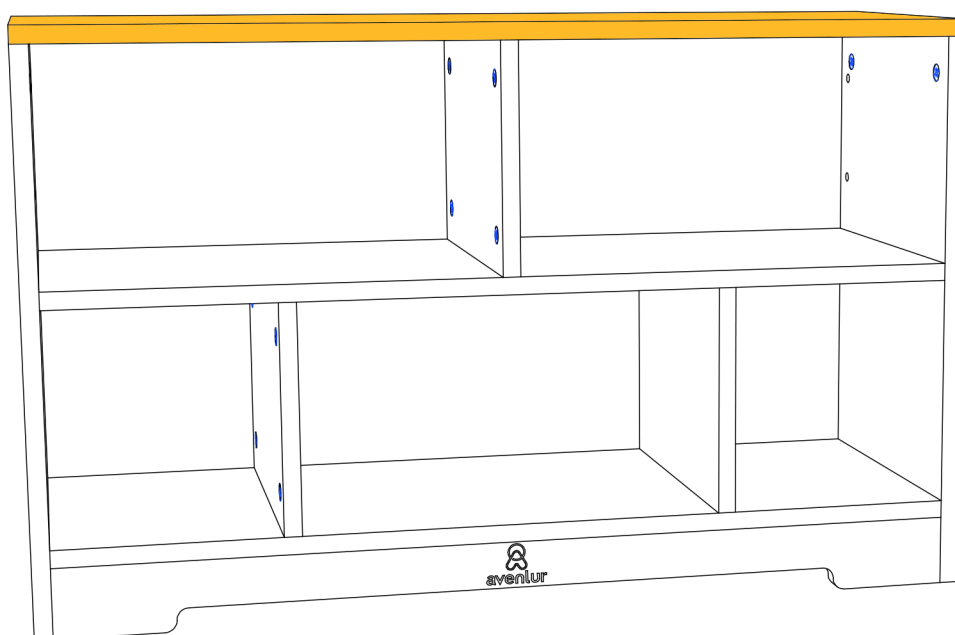


E	 M8x20	4
F		6
G	 4mm	1





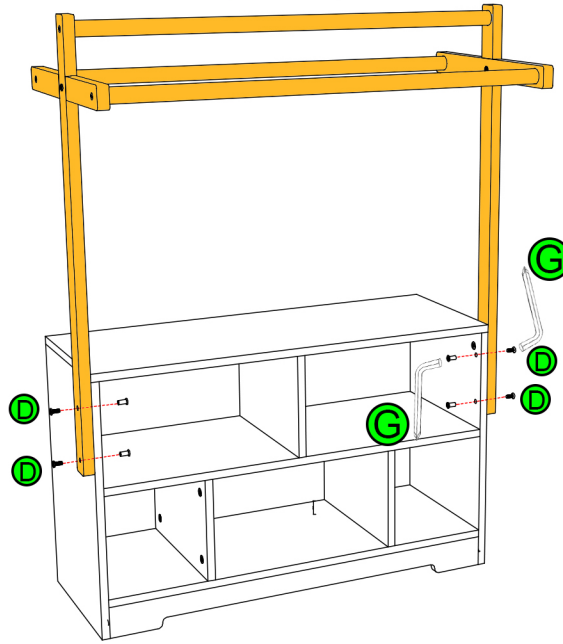
E	 M8x20	6
F		6
G	 4mm	1

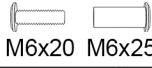
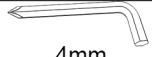


09-1

Note: Check all connections and bolts for tightness at least twice monthly during use. Do not use if screws are loose.

02-2



D	 M6x20 M6x25	4
G	 4mm	2

10-1

