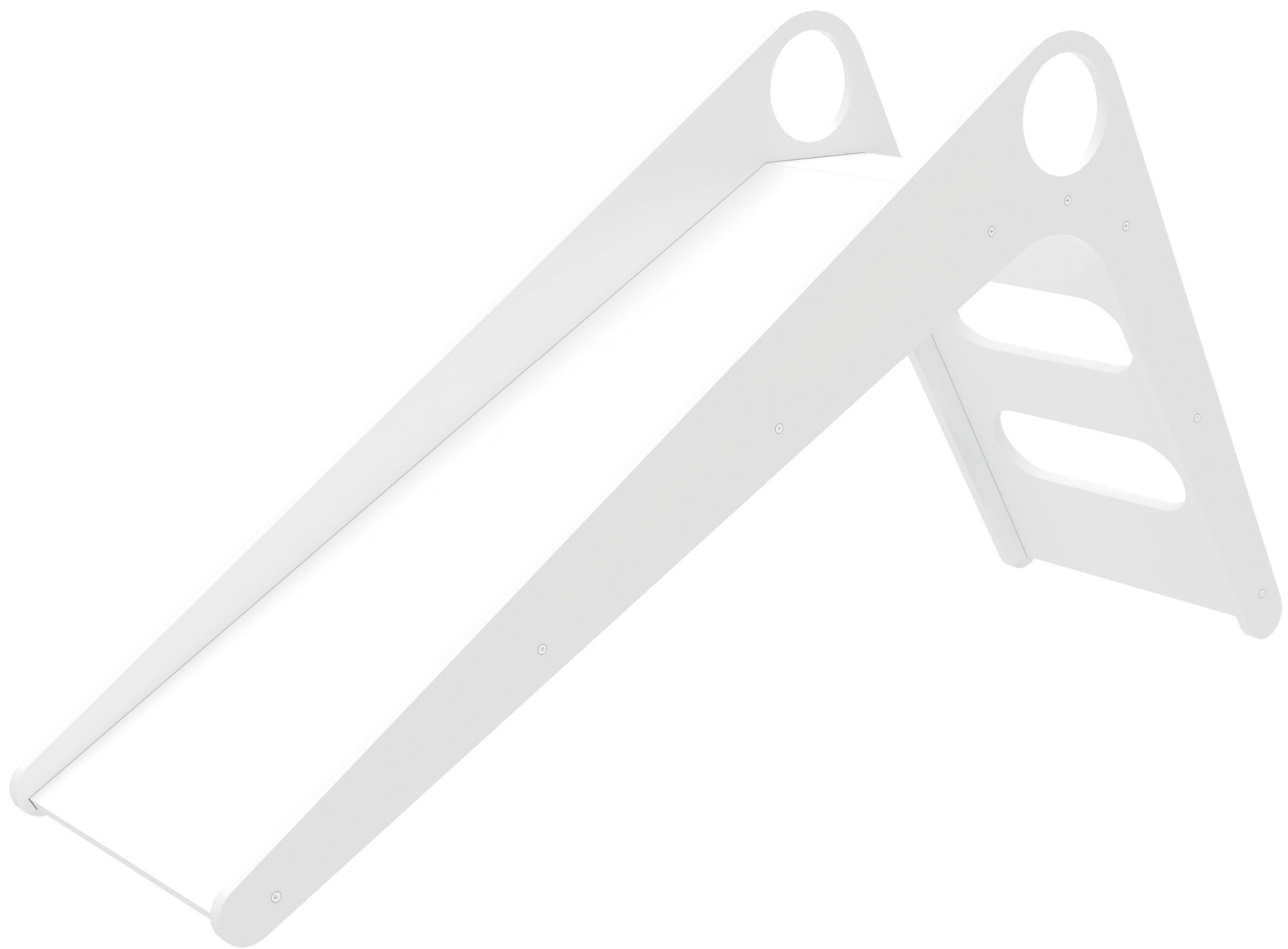


# avenlur

## Manuka by Avenlur



### Need Help?

CALL US AT 888.697.3931 / M-F 9AM - 5PM PT (12PM - -8PM ET)

OR EMAIL US AT [INFO@AVENLUR.COM](mailto:INFO@AVENLUR.COM)

V2

## **WARNING**

Adult assembly required.

## **WARNING**

Maximum user weight: 110 lbs (50kg) per child.

## **WARNING**

### **CHOKING HAZARD:**

Adult assembly required. Keep small assembly parts out of reach of children.

 Use under adult supervision.

**OBSERVE ALL STATEMENTS AND WARNINGS TO REDUCE THE LIKELIHOOD OF SERIOUS OR FATAL INJURY. SAVE THIS SHEET FOR FUTURE REFERENCE.**

## **OPERATION INSTRUCTIONS**

1. An adult should always supervise use of this product by children of all ages.
2. Maximum weight per user: 110lbs(50kg).
3. Instruct children not to attach items to the playground equipment that are not specifically designed for use with the equipment (examples: ropes, clothesline, pet leashes, cables and chain, etc) as they may cause a strangulation hazard or any other hazard.
4. Never allow children to use the equipment in a manner other than intended.

## **MAINTENANCE INSTRUCTIONS**

1. Inspect the product periodically for loose or damaged components. **Tighten bolts if need.**
2. Check all connections and bolts for tightness at least twice monthly during the usage.
3. Check all coverings and bolts for sharp edges.

## **INSTALLATION INSTRUCTIONS**

Please have an electrical drill available for assembly if possible.

If you have difficulty in installation, please contact us for help and get installation video for reference.

### **Please Ensure:**

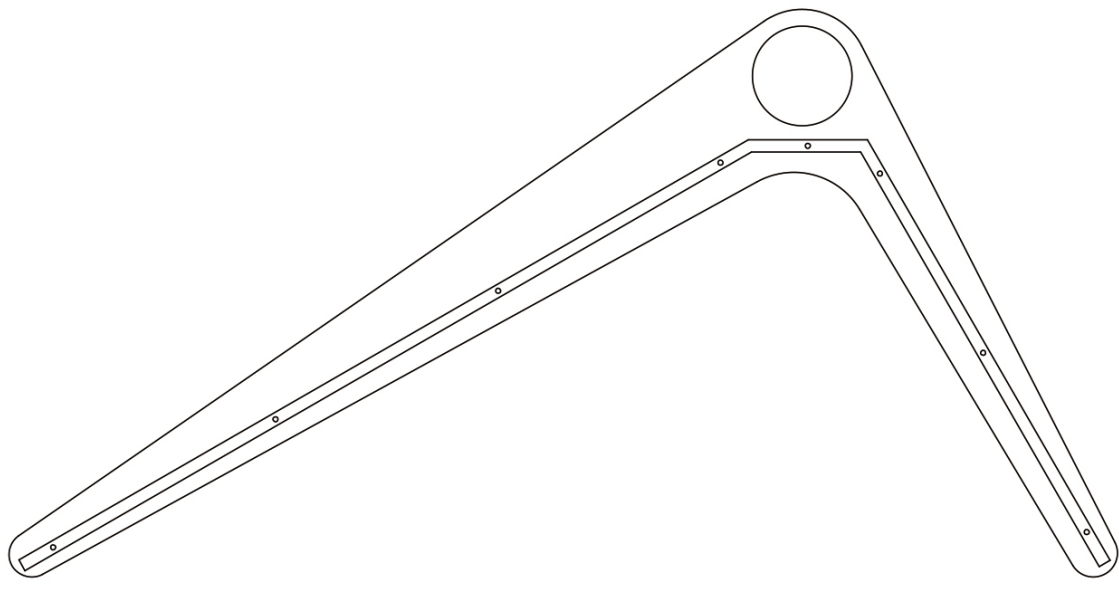
1. You are assembling with at least two people to ensure that all sides and parts are leveled.
2. You don't screw the parts in too hard or it will splinter the wood.
3. You follow the directions carefully.

## **CONTACT US BEFORE ASSEMBLY**

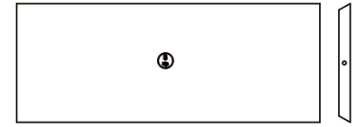
If you have assembly questions or if you need parts  
whether they are missing or damaged

Call us at 888-697-3931 or email us at

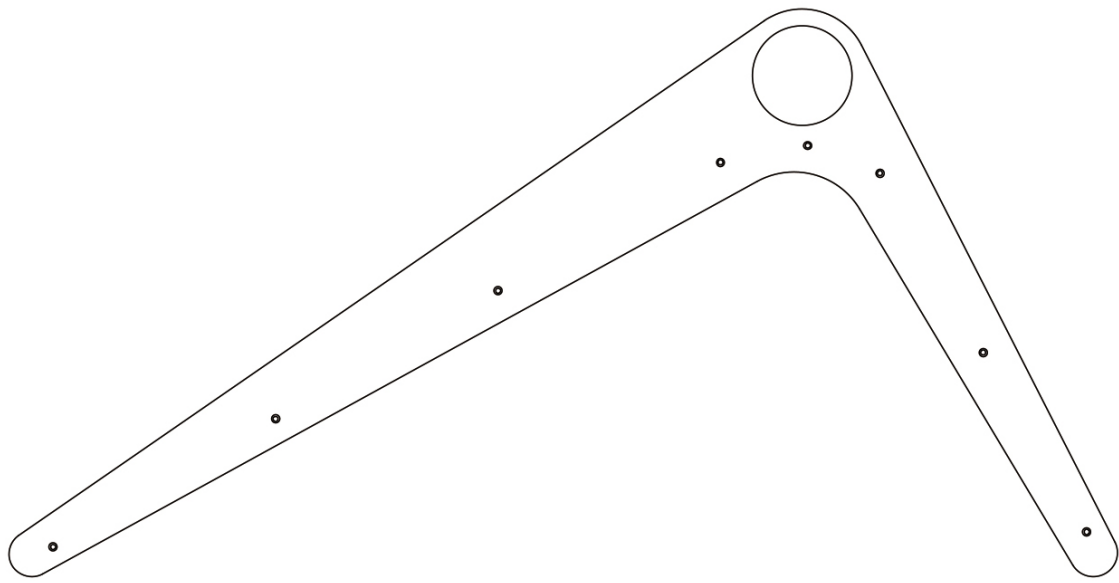
[info@Avenlur.com](mailto:info@Avenlur.com)



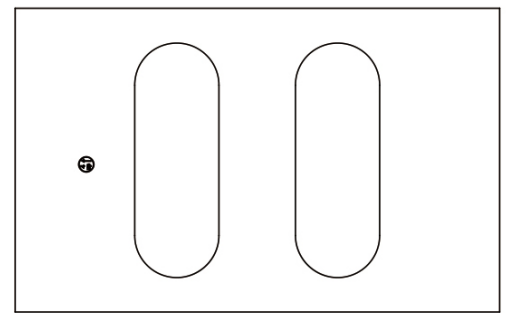
①x1 56.9in



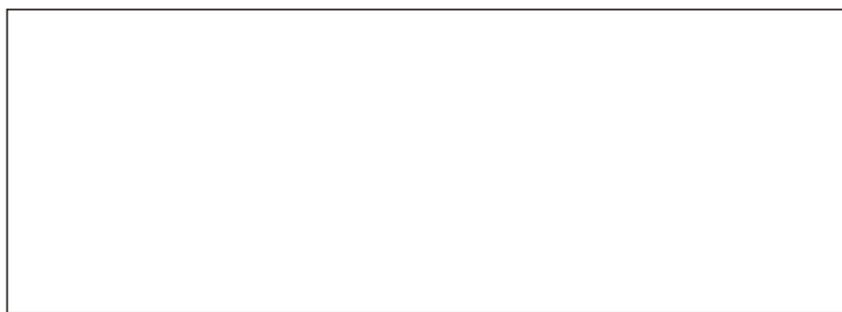
3 up x1 15.6in



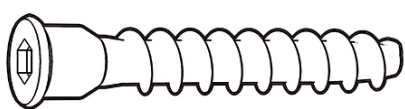
②x1 56.9in



4 up x1 24.8in



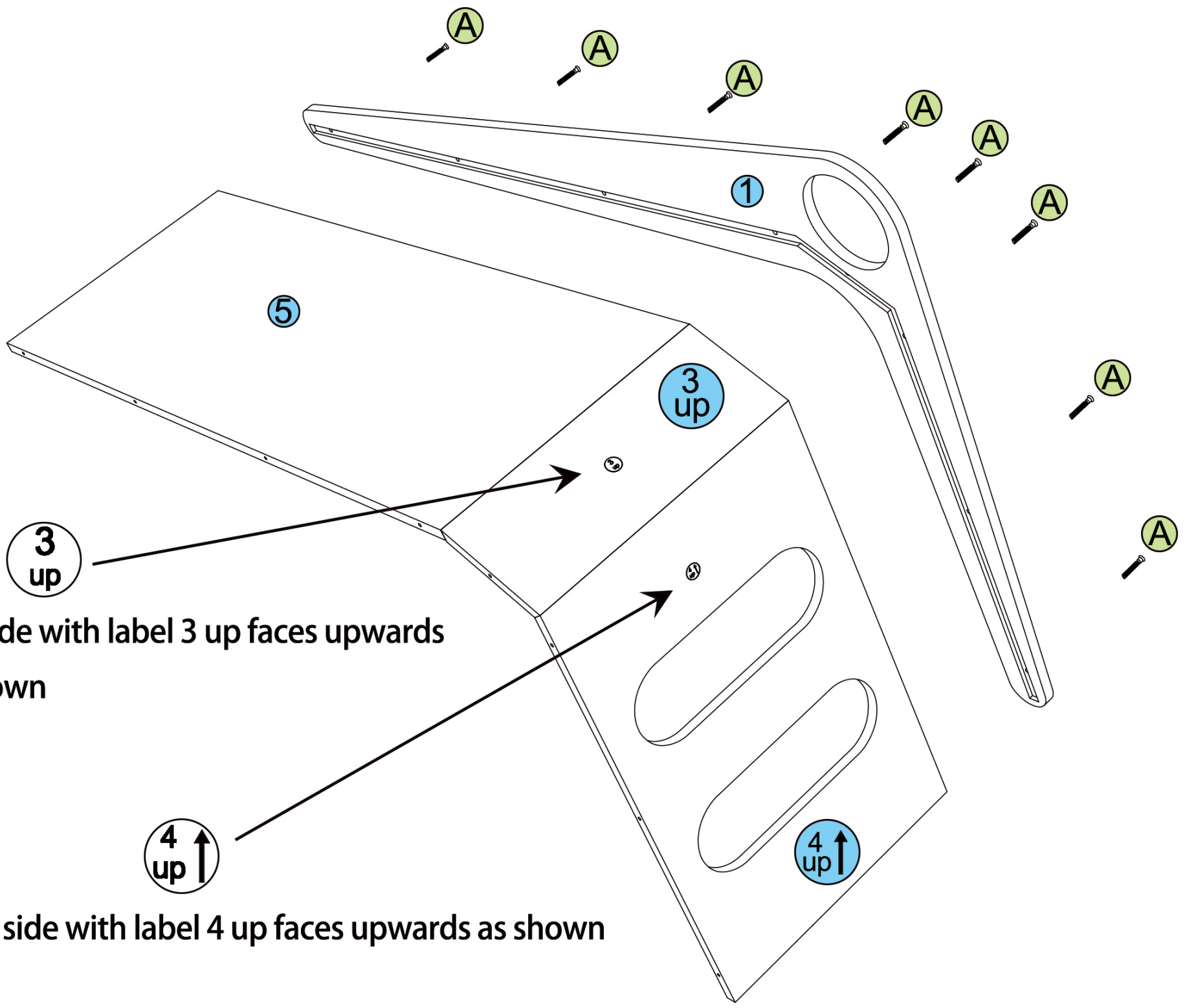
⑤x1 43.2in



M6.3x40  
A x16

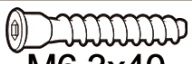



4mm  
B x1



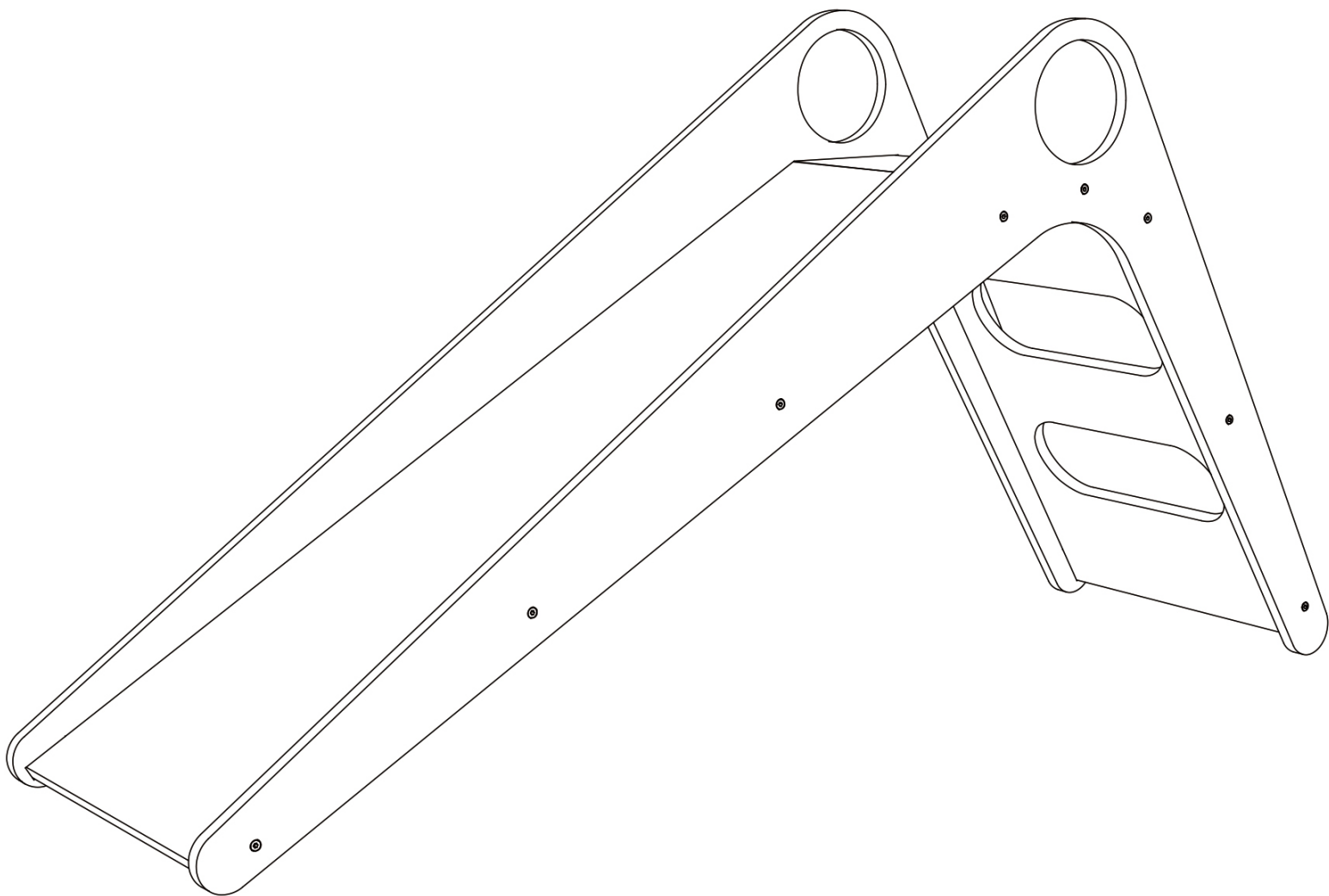
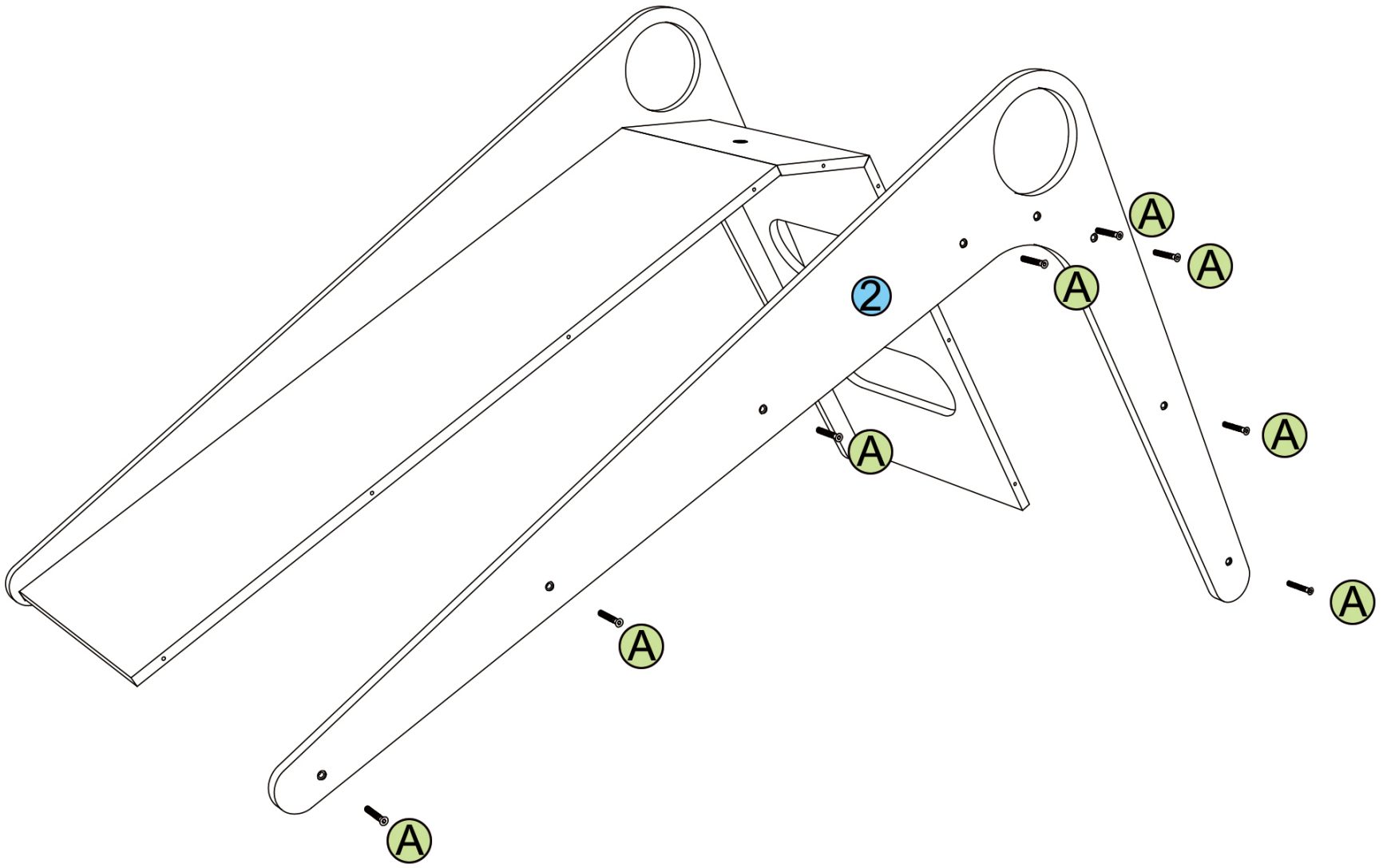
The side with label 3 up faces upwards as shown



The side with label 4 up faces upwards as shown

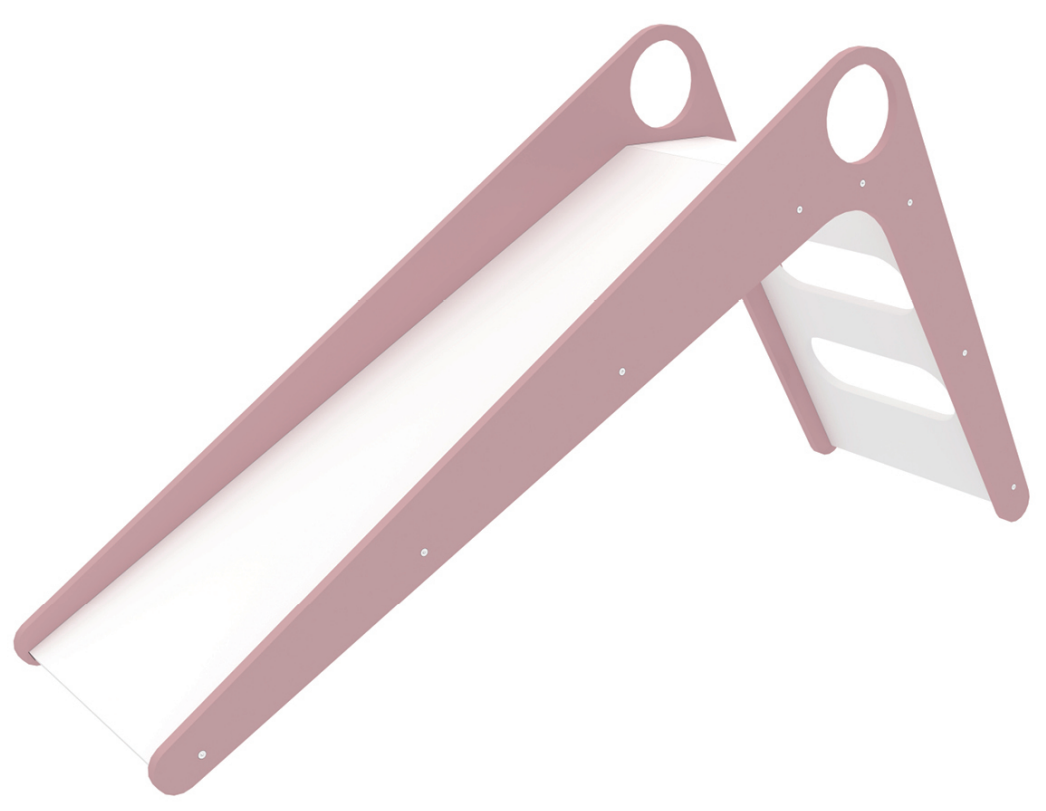
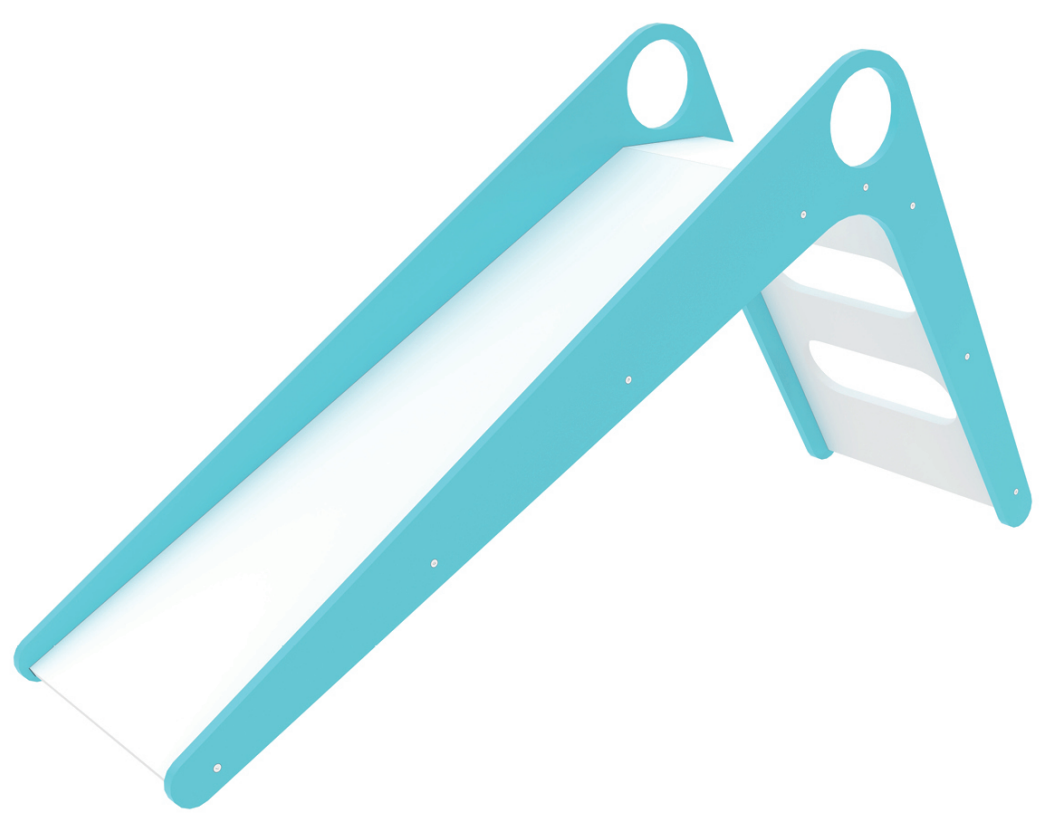
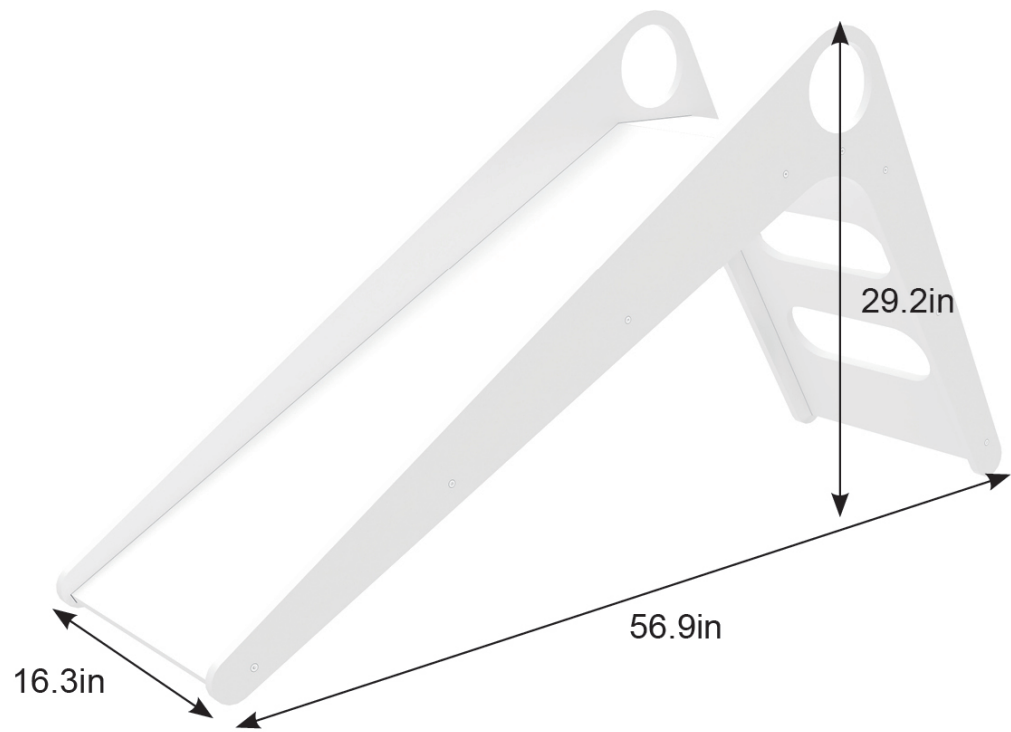
<b>(A)</b>	 M6.3x40	8
<b>(B)</b>	 4mm	1

02-1

Note: Check all connections and bolts for tightness at least twice monthly during use.  
Do not use if screws are loose.



A	 M6.3x40	8
B	 4mm	1



For questions with assembly or replacement parts, please email us at: [info@avenlur.com](mailto:info@avenlur.com) or call us at: [888-697-3931](tel:888-697-3931)